

PLEASE CHECK WWW.MOLEX.COM FOR LATEST PART INFORMATION

Part Number: [0395430605](#)
Status: **Active**
Description: 5.00mm (.197") Pitch Eurostyle™ Vertical Fixed Mount PCB Terminal Block, Low Profile, 5 Circuits

Documents:

[3D Model](#) [RoHS Certificate of Compliance \(PDF\)](#)
[Drawing \(PDF\)](#)

General

Product Family	Terminal Blocks
Series	39543
Application	Wire-to-Board
Component Type	One Piece
Product Literature Order No	USA-355
Product Name	ESE, Eurostyle™ Fixed Mount
Type	Euro Block

Physical

Circuits (Loaded)	5
Entry Angle	Horizontal
Lock to Mating Part	None
Number of Rows	1
Orientation	Vertical
PC Tail Length (in)	0.114 In
PC Tail Length (mm)	2.90 mm
PCB Thickness Recommended (in)	0.080 In
PCB Thickness Recommended (mm)	2.00 mm
Panel Mount	No
Pitch - Mating Interface (in)	0.197 In
Pitch - Mating Interface (mm)	5.00 mm
Polarized to Mating Part	N/A
Stackable	No
Temperature Range - Operating	-40°C to +105°C
Wire Size AWG	14, 16, 18, 20, 22
Wire Size mm²	0.33 - 2.08

Electrical

Current - Maximum per Contact	10A
Voltage - Maximum	300V

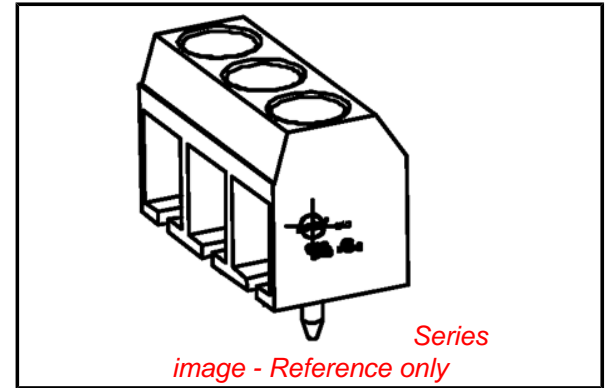
Solder Process Data

Duration at Max. Process Temperature (seconds)	5
Lead-free Process Capability	Wave Capable (TH only)
Max. Cycles at Max. Process Temperature	135
Process Temperature max. C	260

Material Info

Reference - Drawing Numbers

Sales Drawing SD-39501-002, SD-39543-004



EU RoHS

ELV and RoHS Compliant
REACH SVHC
 Not Reviewed
Halogen-Free Status
 Not Reviewed

China RoHS



Need more information on product environmental compliance?

Email productcompliance@molex.com
 For a multiple part number RoHS Certificate of Compliance, [click here](#)

Please visit the [Contact Us](#) section for any non-product compliance questions.

Search Parts in this Series

[39543Series](#)

3950X SERIES
3.50mm HEADERS



3952X & 3954X SERIES
5.00mm HEADERS
5.00mm 10 AMP FIXED



3953X SERIES
5.08mm HEADERS



3951X SERIES
3.81mm HEADERS



3954X SERIES
5.00mm 15 AMP FIXED



3954X SERIES
5.08mm 15 AMP FIXED



NOTES:

- REFER TO INDIVIDUAL PRODUCT SALES DRAWINGS FOR "B" DIMENSION.
- DOES NOT APPLY TO DUAL LEVEL HEADERS, SERIES 39528 AND 39538.
- TYP. = TYPICAL.

INITIAL RELEASE
EC NO: ETC2007-0096
DRWN: CLYORK 2006/10/02
CHKD: JMACNEIL 2006/10/04
APPR: JMACNEIL 2006/10/04

REV	DESCRIPTION
A	

	QUALITY SYMBOLS	
	mm	INCH
4 PLACES	± .005	± .005
3 PLACES	± .010	± .005
2 PLACES	± 0.13	± .01
1 PLACE	± 0.3	± .01
ANGULAR ± 2 °		

GENERAL TOLERANCES (UNLESS SPECIFIED)	
DRAWN BY	DATE
C. YORK	2006/08/25
CHECKED BY	DATE
J. MACNEIL	2006/08/25
APPROVED BY	DATE
J. MACNEIL	2006/08/25
MATERIAL NO.	
--	

DIMENSION STYLE	SCALE	DESIGN UNITS	THIRD ANGLE PROJECTION
MM/IN	3:1	INCH	
TITLE			
RECOMMENDED PCB LAYOUT FOR ESE TERMINAL BLOCKS			
APPROVED BY			
J. MACNEIL			
DATE			
2006/08/25			
MATERIAL NO.			
SD-39501-002			
SHEET NO.			
1 OF 1			

10 9 8 7 6 5 4 3 2 1

F

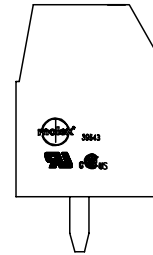
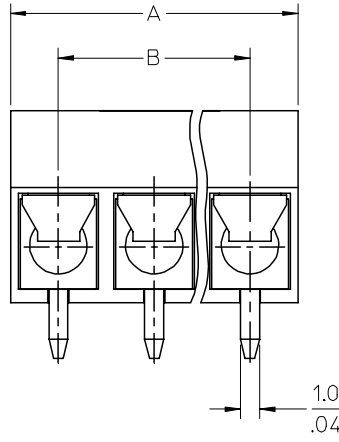
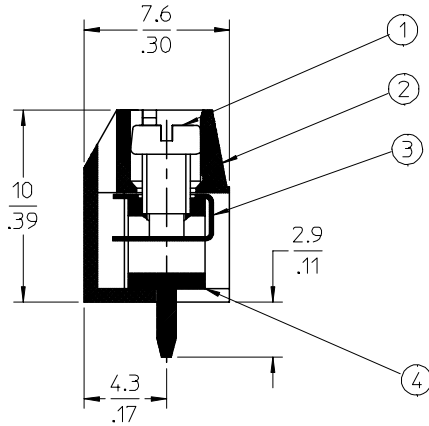
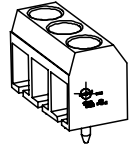
E

D

C

B

A



- SPECIFICATIONS:**
- Materials:
 - Screw: C1010.
 - Body: PA66
 - Wire Protector: Brass
 - Terminal: Brass
 - Wire range: 22 - 14AWG.
 - Electrical rating: 300V, 10A.
 - MAX TORQUE: 3 In-lbs.
 - Wire strip length: 6mm.
 - Dielectric withstands: AC2500V for 1 minute.
 - Breakdown voltage: 4000v(12/50us), 5 times.
 - Insulation resistance: DC500V, 500M.
 - Operating temperature: -40C to +105C.
 - A = N x P.
 - B = (N - 1) x P
 - P = (Pitch) = 5.00MM (.197").
 - N = Number of positions available 2 through 24.

ENTER DESCRIPTION EC NO: NEO2006-0310 DRWNL: LROTHAUS 2006/01/09 CHKD: CYORK 2006/01/09 APPR: JPAMLICK 2006/01/10	DESCRIPTION REV A	QUALITY SYMBOLS ▽=0 ▽=0	GENERAL TOLERANCES (UNLESS SPECIFIED)	DIMENSION STYLE MM/IN	SCALE 4:1	DESIGN UNITS INCH	THIRD ANGLE PROJECTION													
		<table border="1"> <thead> <tr> <th></th> <th>mm</th> <th>INCH</th> </tr> </thead> <tbody> <tr> <td>4 PLACES</td> <td>± ---</td> <td>±.0015</td> </tr> <tr> <td>3 PLACES</td> <td>±0.038</td> <td>±.005</td> </tr> <tr> <td>2 PLACES</td> <td>±0.13</td> <td>±.01</td> </tr> <tr> <td>1 PLACE</td> <td>±0.3</td> <td>± ---</td> </tr> </tbody> </table>		mm	INCH	4 PLACES	± ---	±.0015	3 PLACES	±0.038	±.005	2 PLACES	±0.13	±.01	1 PLACE	±0.3	± ---	DRAWN BY LROTHAUS	DATE 12/6/05	TITLE 5.0MM, EURO TERM BLOCK VERTICAL, PC MOUNT, LOW PROFILE
			mm	INCH																
		4 PLACES	± ---	±.0015																
3 PLACES	±0.038	±.005																		
2 PLACES	±0.13	±.01																		
1 PLACE	±0.3	± ---																		
DRAFT WHERE APPLICABLE MUST REMAIN WITHIN DIMENSIONS	CHECKED BY C. YORK	DATE 01/06/06	APPROVED BY DATE																	
		MATERIAL NO. SEE CHART	DOCUMENT NO. SD-39543-004	MOLEX INCORPORATED		SHEET NO. 1 OF 1														
		THIS DRAWING CONTAINS INFORMATION THAT IS PROPRIETARY TO MOLEX INCORPORATED AND SHOULD NOT BE USED WITHOUT WRITTEN PERMISSION																		

9 8 7 6 5 4 3 2 1

10 9 8 7 6 5 4 3 2 1

Description	Circuit size	Material Numbers						Dimensional Information			
		Black			Green						
		100% Tin			100% Tin						
		Printing Options			Printing Options			Dim. A		Dim B	
None	10A	11A	None	10A	11A	mm	inch	mm	inch		
5.0mm, Euro Block, PC Mount, Vertical, Low Profile	2	395430602	395431602	395432602	395930602	395931602	395932602	10.00	0.394	5.00	0.197
5.0mm, Euro Block, PC Mount, Vertical, Low Profile	3	395430603	395431603	395432603	395930603	395931603	395932603	15.00	0.591	10.00	0.394
5.0mm, Euro Block, PC Mount, Vertical, Low Profile	4	395430604	395431604	395432604	395930604	395931604	395932604	20.00	0.787	15.00	0.591
5.0mm, Euro Block, PC Mount, Vertical, Low Profile	5	395430605	395431605	395432605	395930605	395931605	395932605	25.00	0.984	20.00	0.787
5.0mm, Euro Block, PC Mount, Vertical, Low Profile	6	395430606	395431606	395432606	395930606	395931606	395932606	30.00	1.181	25.00	0.984
5.0mm, Euro Block, PC Mount, Vertical, Low Profile	7	395430607	395431607	395432607	395930607	395931607	395932607	35.00	1.378	30.00	1.181
5.0mm, Euro Block, PC Mount, Vertical, Low Profile	8	395430608	395431608	395432608	395930608	395931608	395932608	40.00	1.575	35.00	1.378
5.0mm, Euro Block, PC Mount, Vertical, Low Profile	9	395430609	395431609	395432609	395930609	395931609	395932609	45.00	1.772	40.00	1.575
5.0mm, Euro Block, PC Mount, Vertical, Low Profile	10	395430610	395431610	395432610	395930610	395931610	395932610	50.00	1.969	45.00	1.772
5.0mm, Euro Block, PC Mount, Vertical, Low Profile	11	395430611	395431611	395432611	395930611	395931611	395932611	55.00	2.165	50.00	1.969
5.0mm, Euro Block, PC Mount, Vertical, Low Profile	12	395430612	395431612	395432612	395930612	395931612	395932612	60.00	2.362	55.00	2.165
5.0mm, Euro Block, PC Mount, Vertical, Low Profile	13	395430613	395431613	395432613	395930613	395931613	395932613	65.00	2.559	60.00	2.362
5.0mm, Euro Block, PC Mount, Vertical, Low Profile	14	395430614	395431614	395432614	395930614	395931614	395932614	70.00	2.756	65.00	2.559
5.0mm, Euro Block, PC Mount, Vertical, Low Profile	15	395430615	395431615	395432615	395930615	395931615	395932615	75.00	2.953	70.00	2.756
5.0mm, Euro Block, PC Mount, Vertical, Low Profile	16	395430616	395431616	395432616	395930616	395931616	395932616	80.00	3.150	75.00	2.953
5.0mm, Euro Block, PC Mount, Vertical, Low Profile	17	395430617	395431617	395432617	395930617	395931617	395932617	85.00	3.346	80.00	3.150
5.0mm, Euro Block, PC Mount, Vertical, Low Profile	18	395430618	395431618	395432618	395930618	395931618	395932618	90.00	3.543	85.00	3.346
5.0mm, Euro Block, PC Mount, Vertical, Low Profile	19	395430619	395431619	395432619	395930619	395931619	395932619	95.00	3.740	90.00	3.543
5.0mm, Euro Block, PC Mount, Vertical, Low Profile	20	395430620	395431620	395432620	395930620	395931620	395932620	100.00	3.937	95.00	3.740
5.0mm, Euro Block, PC Mount, Vertical, Low Profile	21	395430621	395431621	395432621	395930621	395931621	395932621	105.00	4.134	100.00	3.937
5.0mm, Euro Block, PC Mount, Vertical, Low Profile	22	395430622	395431622	395432622	395930622	395931622	395932622	110.00	4.331	105.00	4.134
5.0mm, Euro Block, PC Mount, Vertical, Low Profile	23	395430623	395431623	395432623	395930623	395931623	395932623	115.00	4.528	110.00	4.331
5.0mm, Euro Block, PC Mount, Vertical, Low Profile	24	395430624	395431624	395432624	395930624	395931624	395932624	120.00	4.724	115.00	4.528

SEE PAGE 1 EC NO: NEC2006-0310 DRWNL: LROTHAUS 2006/01/09 CHKDC: CYORK 2006/01/09 APPR: JPAWLICK 2006/01/10	DESCRIPTION REV	QUALITY SYMBOLS ▽=0 ▽=0	GENERAL TOLERANCES (UNLESS SPECIFIED) <table border="1"> <tr><th></th><th>mm</th><th>INCH</th></tr> <tr><td>4 PLACES</td><td>± ---</td><td>±.0015</td></tr> <tr><td>3 PLACES</td><td>±0.038</td><td>±.005</td></tr> <tr><td>2 PLACES</td><td>±0.13</td><td>±.01</td></tr> <tr><td>1 PLACE</td><td>±0.3</td><td>±---</td></tr> </table>		mm	INCH	4 PLACES	± ---	±.0015	3 PLACES	±0.038	±.005	2 PLACES	±0.13	±.01	1 PLACE	±0.3	±---	DIMENSION STYLE MM/IN DRAWN BY: LROTHAUS DATE: 12/6/05 CHECKED BY: C. YORK DATE: 01/05/06 APPROVED BY: _____ DATE: _____	SCALE 4:1 DESIGN UNITS INCH THIRD ANGLE PROJECTION	TITLE 5.0MM, EURO TERM. BLOCK VERTICAL, PC MOUNT, LOW PROFILE
			mm	INCH																	
		4 PLACES	± ---	±.0015																	
		3 PLACES	±0.038	±.005																	
2 PLACES	±0.13	±.01																			
1 PLACE	±0.3	±---																			
DRAFT WHERE APPLICABLE MUST REMAIN WITHIN DIMENSIONS	MATERIAL NO. SEE CHART	DOCUMENT NO. SD-39543-004	SHEET NO. 2 OF 2																		
SIZE B	THIS DRAWING CONTAINS INFORMATION THAT IS PROPRIETARY TO MOLEX INCORPORATED AND SHOULD NOT BE USED WITHOUT WRITTEN PERMISSION																				

9 8 7 6 5 4 3 2 1