

# 150 Amp GPP PASSIVATED STUD POWER DIODE

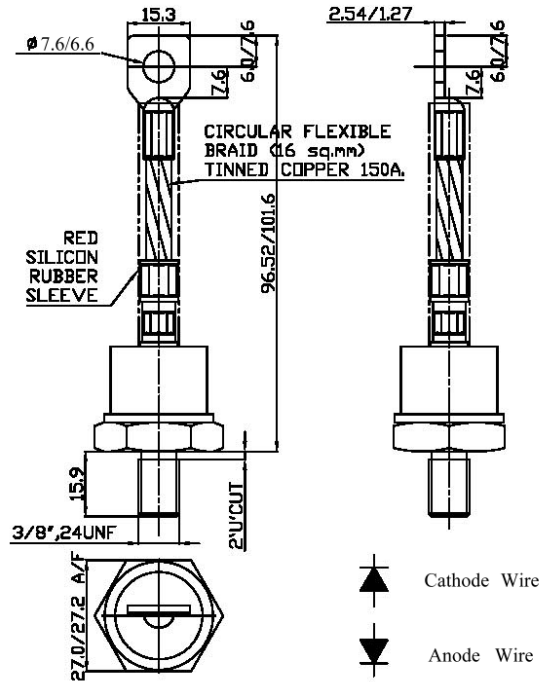
## Description

**150U(R)120**



DO-8

## Mechanical Dimensions



Dimensions in mm

150U120 Anode to Stud Wire; 150UR120 Cathode to Stud Wire

Symbol	Characteristic	Conditions	T <sub>c</sub>	Value	Unit
V <sub>RRM</sub>	Repetitive peak reverse voltage		25	200~1600	V
I <sub>RRM</sub>	Repetitive peak reverse current	V = V <sub>RRM</sub>	25	<15	mA
<b>CONDUCTING</b>					
I <sub>F(AV)</sub>	Mean forward current	180° sin, 50 Hz, T <sub>CASE</sub> = 130°C		150	A
I <sub>RMS</sub>	RMS forward current			240	A
I <sub>FSM</sub>	Surge forward current	Sine wave, 10 ms	180	3600	A
I <sup>2</sup> t	I <sup>2</sup> t	Sine wave, 10 ms		64800	A <sup>2</sup> s
V <sub>FM</sub>	Forward voltage	Forward current = 450 A	25	1.5	V
r <sub>F</sub>	Forward slope resistance		180	0.9	mΩ

## MOUNTING

R <sub>th(j-c)</sub>	Thermal impedance	Junction to case, 180° sine		<0.3	C/W
R <sub>th(c-h)</sub>	Thermal impedance	Case to heatsink		0.05	°C/W
T <sub>j</sub>	Max. junction temperature			125	°C
T <sub>stg</sub>	Storage temperature			-40 .... 175	°C
M	Mounting Torque			<12	NM
	Weight			180	g
	Outline drawing reference			DO-8 & DO-30	