

1.5KE ***Series

GLASS PASSIVATED JUNCTION TRANSIENT VOLTAGE SUPPRESSOR

VOLTAGE - 6.8 TO 440 Volts

1500Watt Peak Power 6.5 Watt Steady State

Feature

- * Plastic package has Underwriters Laboratory Flammability Classification 94V-O
- * Glass passivated chip junction in DO-201 package
- * 1500W surge capability at 1ms
- * Excellent clamping capability
- * Low zener impedance
- * Fast response time: typically less than 1.0 ps from 0 volts to BV min
- * Typical IR less than 1μA above 10V
- * High temperature soldering guaranteed: 260 /10 seconds/.375", (9.5mm) lead length/5lbs., (2.3kg) tension

2.Mechanical Data

Case: JEDEC DO-201AD molded plastic

Terminals: Axial leads, solderable per MIL-STD-202, Method 208

Polarity: Color band denoted cathode except Bipolar

Mounting Position: Any

Weight: 0.04 ounce, 1.12 gram

DEVICES FOR BIPOLAR APPLICATIONS

For Bidirectional use C or CA Suffix for types 1.5KE6.8 thru types 1.5KE440

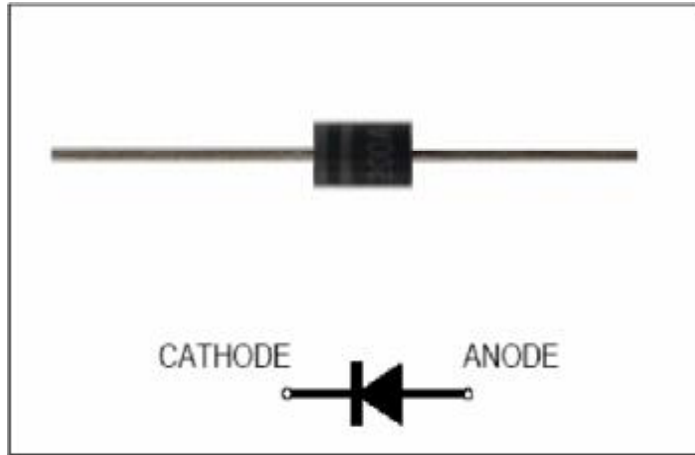
Electrical characteristics apply in both directions.marking code is all type.

1.Electrical Characteristic

Ratings at 25°C ambient temperature unless otherwise specified.

Single phase, half wave, 60Hz, resistive or inductive load.

For capacitive load, derate current by 20%.



We declare that the material of product compliance with ROHS requirements

RATING	SYMBOL	VALUE	UNITS
Peak Power Dissipation at $T_A=25^\circ\text{C}$, $T_P=1\text{ms}$ (Note 1)	P_{PPM}	Minimum 1500	Watts
Steady State Power Dissipation at $T_L=75^\circ\text{C}$ Lead Lengths .375", (9.5mm) (Note 2)	$P_{M(AV)}$	6.5	Watts
Peak Forward Surge Current, 8.3ms Single Half Sine-Wave Superimposed on Rated Load(JECED Method) (Note 3)	I_{FSM}	200	Amps
Operating Temperature Range	T_J	-55 to +150	°C
Storage Temperature Range	T_{STG}	-55 to +175	°C

NOTES:

1. Non-repetitive current pulse, per Fig. 3 and derated above $T_A=25^\circ\text{C}$ per Fig. 2.
2. Mounted on Copper Leaf area of 1.57in²(40mm²).
3. 8.3ms single half sine-wave, duty cycle= 4 pulses per minutes maximum.

1.5KE*** Series

UNI-DIRECTIONAL PART NUMBER	REVERSE STAND-OFF VOLTAGE VRWM (V)	BREAKDOWN VOLTAGE VBR (V) MIN. @IT	BREAKDOWN VOLTAGE VBR (V) MAX. @IT	TEST CURRENT IT (mA)	MAXIMUM CLAMPING VOLTAGE @IPP VC (V)	REVERSE LEAKAGE @VRWM IR (uA)
1.5KE6.8	5.5	6.12	7.48	10	10.8	1000
1.5KE6.8A	5.8	6.45	7.14	10	10.5	1000
1.5KE7.5	6.05	6.75	8.25	10	11.7	500
1.5KE7.5A	6.4	7.13	7.88	10	11.3	500
1.5KE8.2	6.63	7.38	9.02	10	12.5	200
1.5KE8.2A	7.02	7.79	8.61	10	12.1	200
1.5KE9.1	7.37	8.19	10	1	13.8	50
1.5KE9.1A	7.78	8.65	9.5	1	13.4	50
1.5KE10	8.1	9	11	1	15	10
1.5KE10A	8.55	9.5	10.5	1	14.5	10
1.5KE11	8.92	9.9	12.1	1	16.2	1
1.5KE11A	9.4	10.5	11.6	1	15.6	1
1.5KE12	9.72	10.8	13.2	1	17.3	1
1.5KE12A	10.2	11.4	12.6	1	16.7	1
1.5KE13	10.5	11.7	14.3	1	19	1
1.5KE13A	11.1	12.4	13.7	1	18.2	1
1.5KE15	12.1	13.5	16.5	1	22	1
1.5KE15A	12.8	14.3	15.8	1	21.2	1
1.5KE16	12.9	14.4	17.6	1	23.5	1
1.5KE16A	13.6	15.2	16.8	1	22.5	1
1.5KE18	14.5	16.2	19.8	1	26.5	1
1.5KE18A	15.3	17.1	18.9	1	25.2	1
1.5KE20	16.2	18	22	1	29.1	1
1.5KE20A	17.1	19	21	1	27.7	1
1.5KE22	17.8	19.8	24.2	1	31.9	1
1.5KE22A	18.8	20.9	23.1	1	30.6	1
1.5KE24	19.4	21.6	26.4	1	34.7	1
1.5KE24A	20.5	22.8	25.2	1	33.2	1
1.5KE27	21.8	24.3	29.7	1	39.1	1
1.5KE27A	23.1	25.7	28.4	1	37.5	1
1.5KE30	24.3	27	33	1	43.5	1
1.5KE30A	25.6	28.5	31.5	1	41.4	1
1.5KE33	26.8	29.7	36.3	1	47.7	1
1.5KE33A	28.2	31.4	34.7	1	45.7	1
1.5KE36	29.1	32.4	39.6	1	52	1
1.5KE36A	30.8	34.2	37.8	1	49.9	1
1.5KE39	31.6	35.1	42.9	1	56.4	1
1.5KE39A	33.3	37.1	41	1	53.9	1
1.5KE43	34.8	38.7	47.3	1	61.9	1
1.5KE43A	36.8	40.9	45.2	1	59.3	1
1.5KE47	38.1	42.3	51.7	1	67.8	1
1.5KE47A	40.2	44.7	49.4	1	64.8	1
1.5KE51	41.3	45.9	56.1	1	73.5	1
1.5KE51A	43.6	48.5	53.6	1	70.1	1
1.5KE56	45.6	50.4	61.6	1	80.5	1
1.5KE56A	47.8	53.2	58.8	1	77	1
1.5KE62	50.2	55.8	68.2	1	89	1
1.5KE62A	53	58.9	65.1	1	85	1
1.5KE68	55.1	61.2	74.8	1	98	1
1.5KE68A	58.1	64.6	71.4	1	92	1

1.5KE*** Series

UNI-DIRECTIONAL PART NUMBER	REVERSE STAND-OFF VOLTAGE VRWM (V)	BREAKDOWN VOLTAGE VBR (V) MIN. @IT	BREAKDOWN VOLTAGE VBR (V) MAX. @IT	TEST CURRENT IT (mA)	MAXIMUM CLAMPING VOLTAGE @IPP VC (V)	REVERSE LEAKAGE @VRWM IR (uA)
1.5KE75	60.7	67.5	82.5	1	108	1
1.5KE75A	64.1	71.3	78.8	1	103	1
1.5KE82	66.4	73.8	90.2	1	118	1
1.5KE82A	70.1	77.9	86.1	1	113	1
1.5KE91	73.7	81.9	100	1	131	1
1.5KE91A	77.8	86.5	95.5	1	125	1
1.5KE100	81	90	110	1	144	1
1.5KE100A	85.5	95	105	1	137	1
1.5KE110	89.2	99	121	1	158	1
1.5KE110A	94	105	116	1	152	1
1.5KE120	97.2	108	132	1	173	1
1.5KE120A	102	114	126	1	165	1
1.5KE130	105	117	143	1	187	1
1.5KE130A	111	124	137	1	179	1
1.5KE150	121	135	165	1	215	1
1.5KE150A	128	143	158	1	207	1
1.5KE160	130	144	176	1	230	1
1.5KE160A	136	152	168	1	219	1
1.5KE170	138	153	187	1	244	1
1.5KE170A	145	162	179	1	234	1
1.5KE180	146	162	198	1	258	1
1.5KE180A	154	171	189	1	246	1
1.5KE200	162	180	220	1	287	1
1.5KE200A	171	190	210	1	274	1
1.5KE220	175	198	242	1	344	1
1.5KE220A	185	209	231	1	328	1
1.5KE250	202	225	275	1	360	1
1.5KE250A	214	237	263	1	344	1
1.5KE300	243	270	330	1	430	1
1.5KE300A	256	285	315	1	414	1
1.5KE350	284	315	385	1	504	1
1.5KE350A	300	332	368	1	482	1
1.5KE400	324	360	440	1	574	1
1.5KE400A	342	380	420	1	548	1
1.5KE440	356	396	484	1	631	1
1.5KE440A	376	418	462	1	600	1
1.5KE480	389	432	528	1	686	1
1.5KE480A	408	456	504	1	658	1
1.5KE510	413	459	561	1	729	1
1.5KE510A	434	485	535	1	698	1
1.5KE550	445	495	605	1	791	1
1.5KE550A	467	523	577	1	760	1

NOTES:

1. Non-repetitive current pulse, per Fig. 3 and derated above TA=25°C per Fig. 2.
2. Mounted on Copper Leaf area of 1.57in²(40mm²).
3. 8.3ms single half sine-wave, duty cycle= 4 pulses per minutes maximum.

1.5KE ***Series

2. Characteristic Curves (TA = 25°C unless otherwise noted)

Fig. 1-Peak Pulse Power Rating Curve

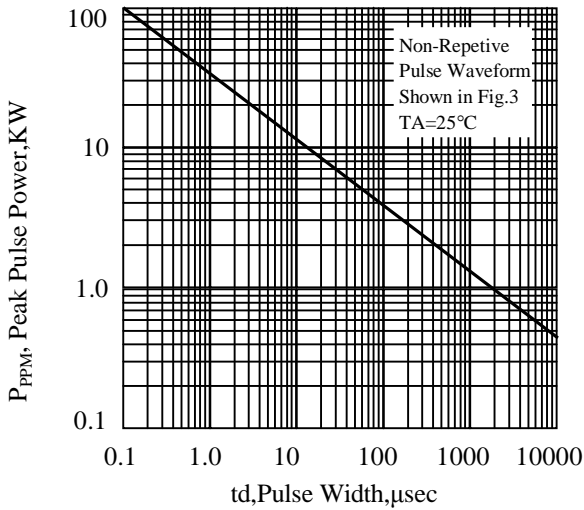


Fig. 2-Pulse Derating Curve

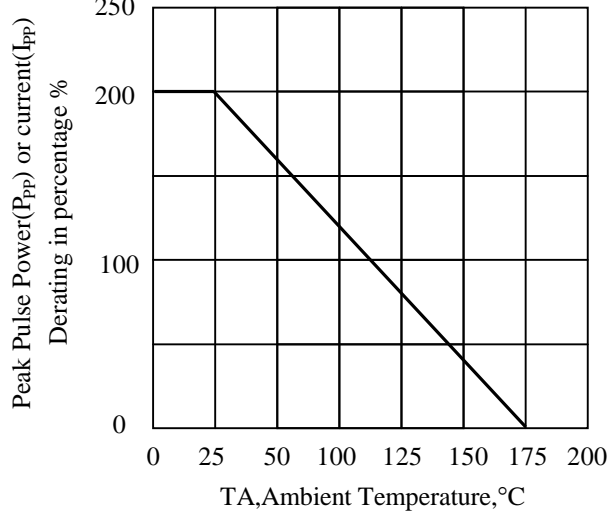


Fig. 3-Pulse Waveform

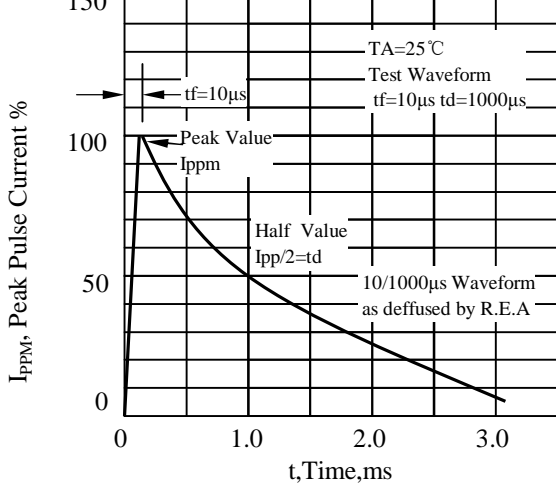


Fig. 4-Typical Junction Capacitance Unidirectional

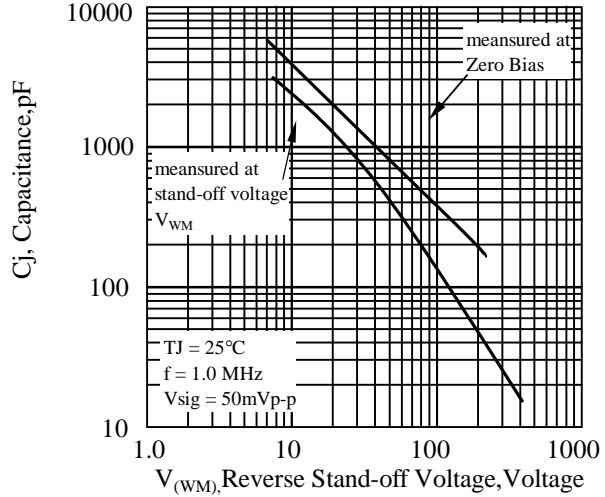


Fig. 5-Steady State Power Derating Curve

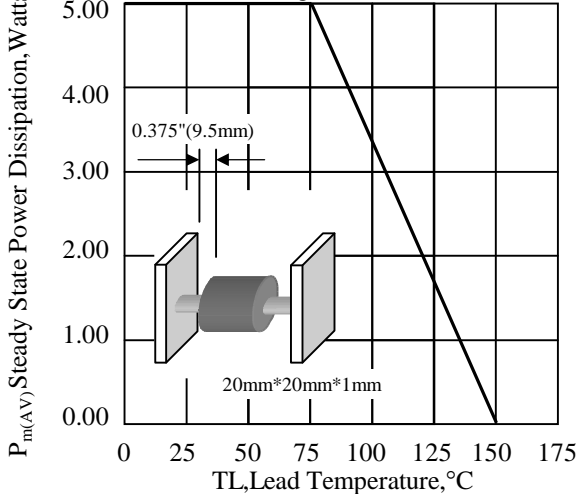
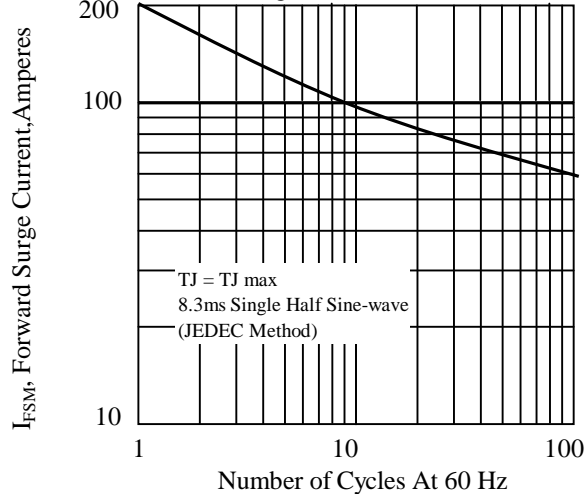
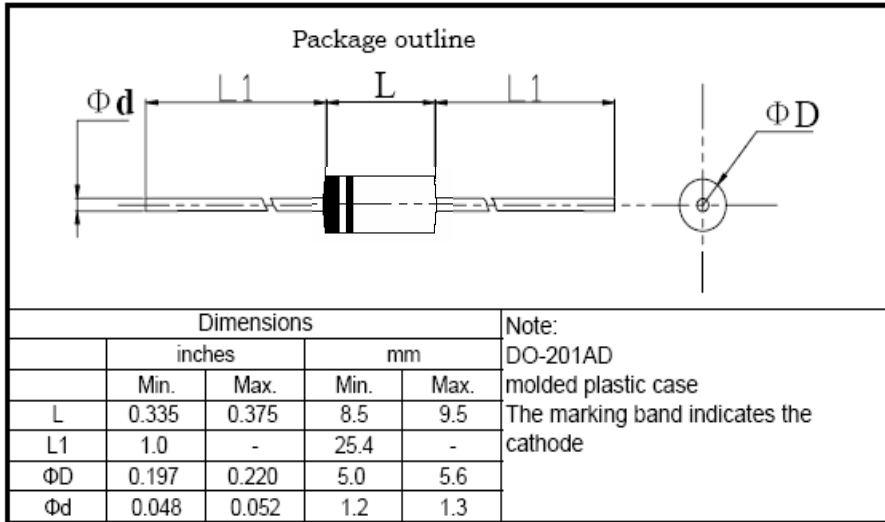


Fig. 6-Maximum Non-Repetitive Peak Forward Surge Current Unidirectional



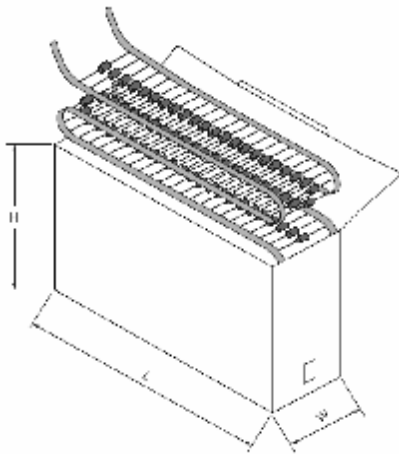
1.5KE ***Series

3. dimension:



标题： 塑封生产线轴向产品包装规范	文件编号： WI-250
	第 4 版 第 0 次修改
	第 1 页

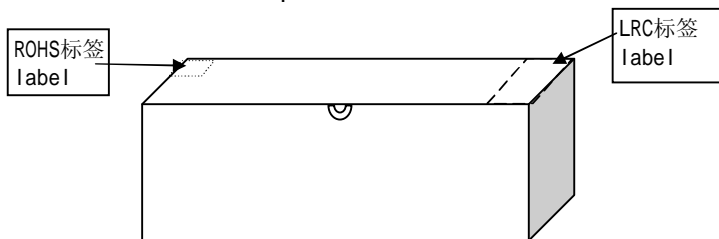
- 1 弹带盒装 ammo and box
- 1.1. 弹带盒规格 ammo spec.



单位：mm

	L	W	H
T52	262±2	76±2	90±2
T42	262±2	64±2	90±2
T26	250±3	45±3	95±3

- 1.2 弹带内盒要求 inner box spec.



标题: 塑封生产线轴向产品包装规范	文件编号: WI-250
	第 4 版 第 0 次修改
	第 2 页

1.4 标签要求 label spec.

1.4.1 LRC标签 LRC label

成型 ***** ← 成型规格 forming spec.
FORMING

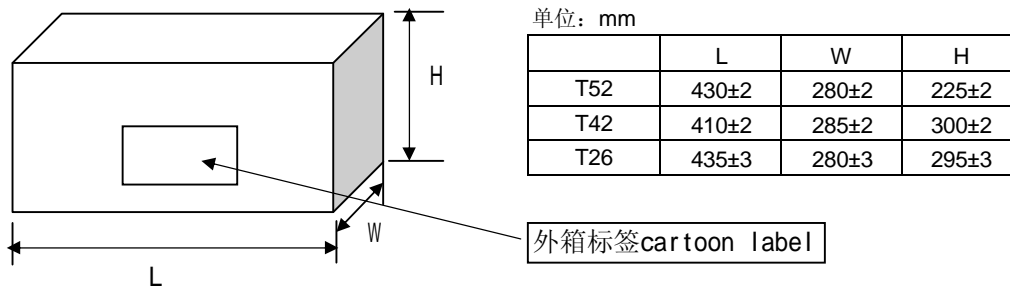
型号 ***** ← LRC产品型号 type
TYPE

重复峰压 (V) PRV (V)	****	← 产品重复峰压值 peak repetitive voltage
额定电流 (A) I _o (A)	**	← 产品额定电流值 average output current
数量 (只) QTY (pcs)	****	← 产品数量 quantity
检验员 CHECKER	02	
日期: DATE:	*****	← 产品生产日期 date

1.4.2 环保标签 environmental protection label



2. 外箱规格 carton spec.



3 按以上包装方式, 编带数量和外包装箱产品数量: typing and carton spec.

	塑封外型			
	A-405 & DO-41 & R-1	R-3	DO-15	DO-201AD
每根编带数量 quantity/ammo	3K	1.8K	2K(T52) 1.8K(T26)	0.8K
外箱数量 (T52编带) quantity/cartoon	30K	18K	20K	8.0K
外箱数量 (T26编带) quantity/cartoon	60K	36K	36K	-
外箱数量 (T42编带) quantity/cartoon	54K	32.4K	36K	-

标题:

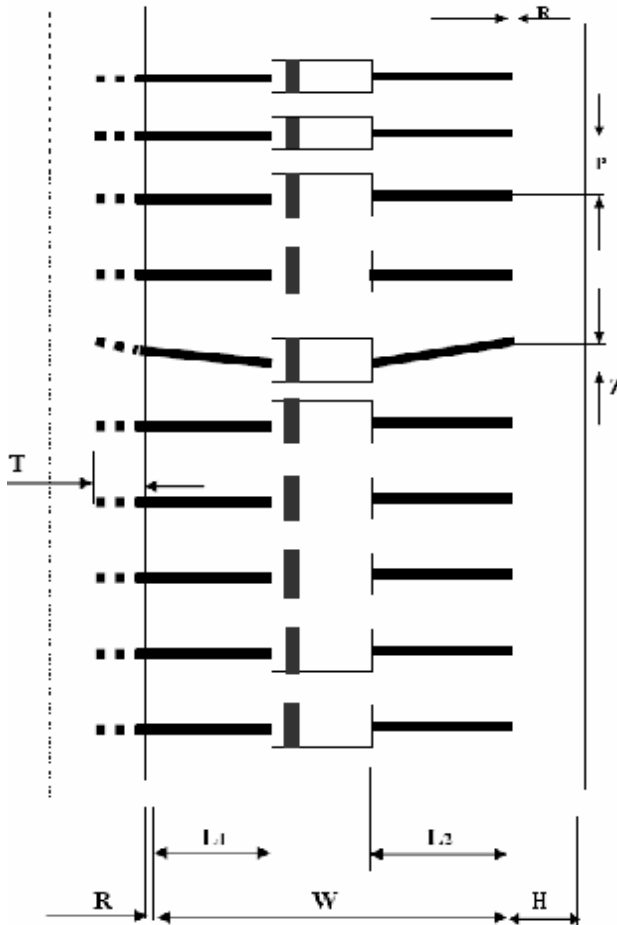
塑封生产线轴向产品包装规范

文件编号: WI-250

第 4 版 第 0 次修改

第 3 页

4 编带规格 brede spec



尺寸代号	编带尺寸 typing dimension					
	26/tape	35/tape	40/tape	42/tape	52/tape	52/tape#
W	26 0.0/+1.6	35 -1.0/+0.5	40 -1.0/+0.5	42 -1.0/+1.0	52 -1.0/+2.0	52 -1.0/+2.0
P	5±0.5	5±0.5	5±0.5	5±0.5	5±0.5	10±0.5
L1-L2	<1.0	<1.0	<1.0	<1.0	<1.0	<1.0
H	6±1.0	6±1.0	6±1.0	6±1.0	6±1.0	6±1.0
Z	<1.0	<1.0	<1.0	<1.0	<1.0	<1.0
R	<1.0	<1.0	<1.0	<1.0	<1.0	<1.0
T	>3.5	>3.5	>3.5	>3.5	>3.5	>3.5

注: 52编带# 为DO-201AD编带规格 "52编带#" just for D0-201AD

1. 红白编带厚度为0.05mm; 两种胶带各自之间无明显色差; 编带要求均为胶带。
The typing thickness is 0.05mm and color is obvious difference
2. 两端引带20~40cm. Typing lead over 20~40cm
3. 红色编带一端为二极管“负极”; 白色编带一端为二极管“正极”。
red color is cathode ,white color is anode
4. 无卤 green epoxy compound (无卤产品才贴HF only)

Green

1.5KE ***Series

4. Update Record

版次	更新记录	更新作者	更新日期
1	第一版	周杰	2010-5-4
2	调整储存温度为175度	周杰	2010-9-23
3	增加包装规范	周杰	2011-6-18
4	具体说明产品印字为产品名称。	周杰	2012-5-9
5	调整结电容曲线	周杰	2012-8-15