



Product Change Notification



Product Group: SFERNICE / Jan. 18th , 2010 / PCN-SF / FL 092- 2010 Rev 0 / page 1/4

M63 & M70 TRIMMERS

DESCRIPTION OF CHANGE: Color change. See drawings below.

CLASSIFICATION OF CHANGE: Form Fit Function

REASON FOR CHANGE: Raw Material Obsolescence / Synergy with all Vishay Sfernice Trimmers color

EXPECTED INFLUENCE ON QUALITY/RELIABILITY/PERFORMANCE: None.

PRODUCT CATEGORY: Trimmers

PART NUMBERS/SERIES/FAMILIES AFFECTED: M63 & M70. P/Ns list on pages 3 & 4

| | |
|---------|--------|
| M63xB40 | M63xTx |
| M70xB25 | M70xTx |

VISHAY BRAND(s): Vishay Spectrol

TIME SCHEDULE:

Last Time Buy Date : March 31st 2010
Last Time Shipment Date : August 31st 2010

M63 New color Production start May 2010
M70 New color Production start July 2010

SAMPLE AVAILABILITY : Available on request starting W12 2010

PRODUCT IDENTIFICATION : Color

QUALIFICATION DATA : available on request W12 2010 (Data sheets will be updated)

This PCN is considered approved, without further notification, unless we receive specific customer concerns before Feb 26th 2010 or as specified by contract.

ISSUED BY: Frederic Lovera / Product Marketing Mgr. Frederic.lovera@vishay.com

For further information, please contact CS or our Regional Marketing Vishay office.

CONTACT INFORMATION:

The Americas

VISHAY SPECTROL
4051 Greystone Drive
Ontario, CA 91761 USA

George KANELAS
Tel : (909) 923 3313 ext. 114

Europe

VISHAY-Division SFERNICE
BP 1159, 199 Bd de la Madeleine
06003 NICE CEDEX FRANCE

Frederic Lovera
Tel : (33) 493 37 29 50

Asia

**VISHAY Intertechnology
Asia Pte. LTD**
25Tampiness Street 92

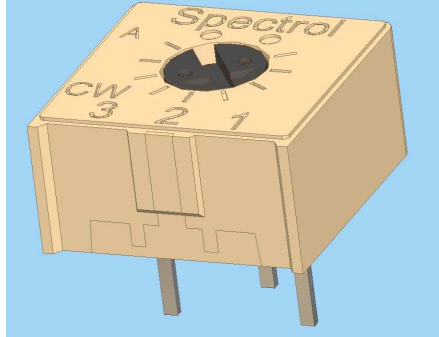
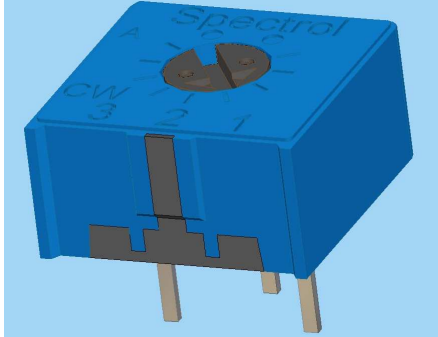
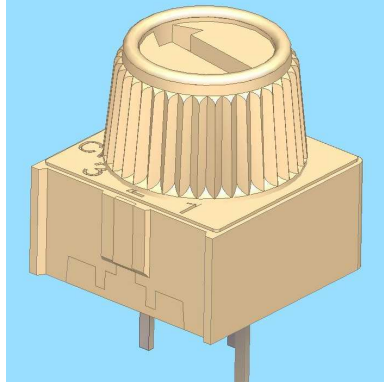
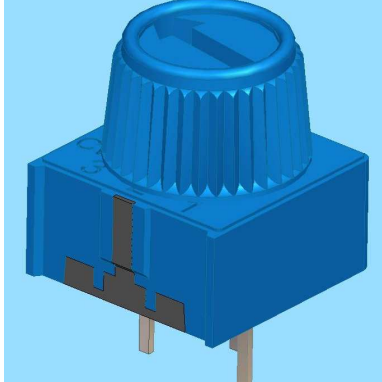
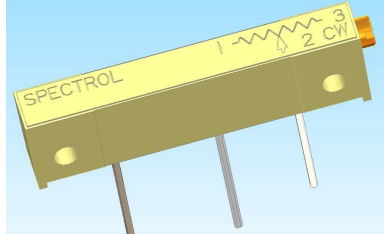
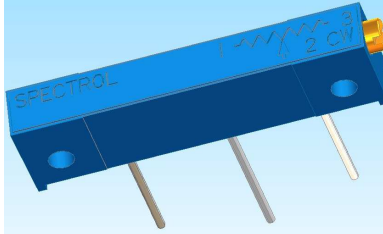
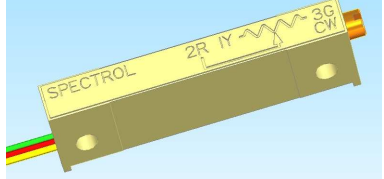
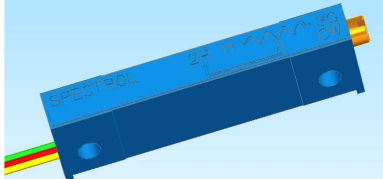
Vincent ONG
Tel : (65) 6780 7746



Product Change Notification



Product Group: SFERNICE / Jan. 18th , 2010 / PCN-SF / FL 092- 2010 Rev 0 / page 2/4

| Old M63 | New M63 |
|---|--|
|  |  |
| Old M63 T607 | New M63 T607 |
|  |  |
| Old M70Y | New M70Y |
|  |  |
| Old M70L | New M70L |
|  |  |



Product Change Notification



Product Group: SFERNICE / Jan. 18th , 2010 / PCN-SF / FL 092- 2010 Rev 0 / page 3/4

| Part Number | Description | Part Number | Description |
|-----------------|------------------------------|-----------------|------------------------------|
| M63M101KB30T607 | 63 M 100U 10% T607 BO100 e3 | M63P102KB40T614 | 63 P 1K 10% T614 BO200 e3 |
| M63M101KB40 | 63 M 100U 10% BO200 e3 | M63P103KB30Q105 | 63 P 10K 10% 8-989 BO100 e3 |
| M63M102KB30Q105 | 63 M 1K 10% 8-990 BO100 e3 | M63P103KB30T607 | 63 P 10K 10% T607 BO100 e3 |
| M63M102KB30T607 | 63 M 1K 10% T607 BO100 e3 | M63P103KB30T640 | 63 P 10K 10% T640 BO100 e3 |
| M63M102KB40 | 63 M 1K 10% BO200 e3 | M63P103KB40 | 63 P 10K 10% BO200 e3 |
| M63M103KB30T607 | 63 M 10K 10% T607 BO100 e3 | M63P103KB40T607 | 63 P 10K 10% T607 BO200 e3 |
| M63M103KB30T640 | 63 M 10K 10% T640 BO100 e3 | M63P103KB40T614 | 63 P 10K 10% T614 BO200 e3 |
| M63M103KB40 | 63 M 10K 10% BO200 e3 | M63P104KB30Q105 | 63 P 100K 10% 8-989 BO100 e3 |
| M63M103KB40T614 | 63 M 10K 10% T614 BO200 e3 | M63P104KB30T607 | 63 P 100K 10% T607 BO100 e3 |
| M63M104KB30T607 | 63 M 100K 10% T607 BO100 e3 | M63P104KB30T640 | 63 P 100K 10% T640 BO100 e3 |
| M63M104KB40 | 63 M 100K 10% BO200 e3 | M63P104KB40 | 63 P 100K 10% BO200 e3 |
| M63M104KB40T614 | 63 M 100K 10% T614 BO200 e3 | M63P104KB40T614 | 63 P 100K 10% T614 BO200 e3 |
| M63M105KB30T607 | 63 M 1M 10% T607 BO100 e3 | M63P105KB30T607 | 63 P 1M 10% T607 BO100 e3 |
| M63M105KB40 | 63 M 1M 10% BO200 e3 | M63P105KB30T640 | 63 P 1M 10% T640 BO100 e3 |
| M63M105KB40T614 | 63 M 1M 10% T614 BO200 e3 | M63P105KB40 | 63 P 1M 10% BO200 e3 |
| M63M201KB30T607 | 63 M 200U 10% T607 BO100 e3 | M63P201KB40 | 63 P 200U 10% BO200 e3 |
| M63M201KB40 | 63 M 200U 10% BO200 e3 | M63P202KB30Q105 | 63 P 2K 10% 8-989 BO100 e3 |
| M63M202KB30T607 | 63 M 2K 10% T607 BO100 e3 | M63P202KB30T607 | 63 P 2K 10% T607 BO100 e3 |
| M63M202KB40 | 63 M 2K 10% BO200 e3 | M63P202KB30T640 | 63 P 2K 10% T640 BO100 e3 |
| M63M203KB30T607 | 63 M 20K 10% T607 BO100 e3 | M63P202KB40 | 63 P 2K 10% BO200 e3 |
| M63M203KB40 | 63 M 20K 10% BO200 e3 | M63P203KB30Q105 | 63 P 20K 10% 8-989 BO100 e3 |
| M63M204KB30Q106 | 63 M 200K 10% 9-841 BO100 e3 | M63P203KB30Q116 | 63 P 20K 10% Q116 BO100 e3 |
| M63M204KB30T607 | 63 M 200K 10% T607 BO100 e3 | M63P203KB30T607 | 63 P 20K 10% T607 BO100 e3 |
| M63M204KB30T640 | 63 M 200K 10% T640 BO100 e3 | M63P203KB30T640 | 63 P 20K 10% T640 BO100 e3 |
| M63M204KB40 | 63 M 200K 10% BO200 e3 | M63P203KB40 | 63 P 20K 10% BO200 e3 |
| M63M204KB40T614 | 63 M 200K 10% T614 BO200 e3 | M63P204KB30T607 | 63 P 200K 10% T607 BO100 e3 |
| M63M205KB40 | 63 M 2M 10% BO200 e3 | M63P204KB40 | 63 P 200K 10% BO200 e3 |
| M63M251KB40 | 63 M 250U 10% BO200 e3 | M63P205KB30T607 | 63 P 2M 10% T607 BO100 e3 |
| M63M253KB40 | 63 M 25K 10% BO200 e3 | M63P205KB30T640 | 63 P 2M 10% T640 BO100 e3 |
| M63M254KB40 | 63 M 250K 10% BO200 e3 | M63P205KB40 | 63 P 2M 10% BO200 e3 |
| M63M501KB30T607 | 63 M 500U 10% T607 BO100 e3 | M63P253KB40 | 63 P 25K 10% BO200 e3 |
| M63M501KB40 | 63 M 500U 10% BO200 e3 | M63P254KB40 | 63 P 250K 10% BO200 e3 |
| M63M501KB40T614 | 63 M 500U 10% T614 BO200 e3 | M63P501KB30Q105 | 63 P 500U 10% 8-989 BO100 e3 |
| M63M502KB30Q105 | 63 M 5K 10% 8-990 BO100 e3 | M63P501KB30T607 | 63 P 500U 10% T607 BO100 e3 |
| M63M502KB30T607 | 63 M 5K 10% T607 BO100 e3 | M63P501KB40 | 63 P 500U 10% BO200 e3 |
| M63M502KB40 | 63 M 5K 10% BO200 e3 | M63P502KB30Q105 | 63 P 5K 10% 8-989 BO100 e3 |
| M63M503KB30T607 | 63 M 50K 10% T607 BO100 e3 | M63P502KB30T607 | 63 P 5K 10% T607 BO100 e3 |
| M63M503KB40 | 63 M 50K 10% BO200 e3 | M63P502KB30T640 | 63 P 5K 10% T640 BO100 e3 |
| M63M504KB30T607 | 63 M 500K 10% T607 BO100 e3 | M63P502KB40 | 63 P 5K 10% BO200 e3 |
| M63M504KB40 | 63 M 500K 10% BO200 e3 | M63P502KB40T607 | 63 P 5K 10% T607 BO200 e3 |
| M63P101KB30T607 | 63 P 100U 10% T607 BO100 e3 | M63P503KB30T607 | 63 P 50K 10% T607 BO100 e3 |
| M63P101KB40 | 63 P 100U 10% BO200 e3 | M63P503KB30T640 | 63 P 50K 10% T640 BO100 e3 |
| M63P102KB30T607 | 63 P 1K 10% T607 BO100 e3 | M63P503KB40 | 63 P 50K 10% BO200 e3 |
| M63P102KB30T640 | 63 P 1K 10% T640 BO100 e3 | M63P503KT20 | 63 P 50K 10% TU50 e3 |
| M63P102KB40 | 63 P 1K 10% BO200 e3 | M63P504KB30T607 | 63 P 500K 10% T607 BO100 e3 |
| M63P102KB40T607 | 63 P 1K 10% T607 BO200 e3 | M63P504KB30T640 | 63 P 500K 10% T640 BO100 e3 |



Product Change Notification



Product Group: SFERNICE / Jan. 18th , 2010 / PCN-SF / FL 092- 2010 Rev 0 / page 4/4

| Part Number | Description | Part Number | Description |
|-----------------|-----------------------------|-----------------|-----------------------------|
| M63P504KB40 | 63 P 500K 10% BO200 e3 | M63X503KB30T607 | 63 X 50K 10% T607 BO100 e3 |
| M63S101KB40 | 63 S 100U 10% BO200 e3 | M63X503KB40 | 63 X 50K 10% BO200 e3 |
| M63S102KB40 | 63 S 1K 10% BO200 e3 | M63X504KB30T607 | 63 X 500K 10% T607 BO100 e3 |
| M63S103KB40Q107 | 63 S 10K 10% 9-832 BO200 e3 | M63X504KB40 | 63 X 500K 10% BO200 e3 |
| M63S104KB40 | 63 S 100K 10% BO200 e3 | M63X504KB40T614 | 63 X 500K 10% T614 BO200 e3 |
| M63S105KB40 | 63 S 1M 10% BO200 e3 | M70L100KB25 | 70 L 10U 10% BO50 e3 |
| M63S201KB40 | 63 S 200U 10% BO200 e3 | M70L101KB25 | 70 L 100U 10% BO50 e3 |
| M63S202KB40 | 63 S 2K 10% BO200 e3 | M70L102KB25 | 70 L 1K 10% BO50 e3 |
| M63S202KB40T614 | 63 S 2K 10% T614 BO200 e3 | M70L103KB25 | 70 L 10K 10% BO50 e3 |
| M63S203KB40 | 63 S 20K 10% BO200 e3 | M70L104JB25 | 70 L 100K 5% BO50 e3 |
| M63S204KB40 | 63 S 200K 10% BO200 e3 | M70L104KB25 | 70 L 100K 10% BO50 e3 |
| M63S205KB40 | 63 S 2M 10% BO200 e3 | M70L105KB25 | 70 L 1M 10% BO50 e3 |
| M63S253KB40 | 63 S 25K 10% BO200 e3 | M70L201KB25 | 70 L 200U 10% BO50 e3 |
| M63S254KB40 | 63 S 250K 10% BO200 e3 | M70L202KB25 | 70 L 2K 10% BO50 e3 |
| M63S501KB40 | 63 S 500U 10% BO200 e3 | M70L202KB25T601 | 70 L 2K 10% T601 BO50 e3 |
| M63S502KB40 | 63 S 5K 10% BO200 e3 | M70L203KB25 | 70 L 20K 10% BO50 e3 |
| M63S503KB40 | 63 S 50K 10% BO200 e3 | M70L204KB25 | 70 L 200K 10% BO50 e3 |
| M63S504KB40 | 63 S 500K 10% BO200 e3 | M70L205KB25 | 70 L 2M 10% BO50 e3 |
| M63X101KB40 | 63 X 100U 10% BO200 e3 | M70L254KB25 | 70 L 250K 10% BO50 e3 |
| M63X102KB30T607 | 63 X 1K 10% T607 BO100 e3 | M70L500KB25 | 70 L 50U 10% BO50 e3 |
| M63X102KB40 | 63 X 1K 10% BO200 e3 | M70L501KB25 | 70 L 500U 10% BO50 e3 |
| M63X103KB30Q108 | 63 X 10K 10% 9-800 BO100 e3 | M70L501KB25T601 | 70 L 500U 10% T601 BO50 e3 |
| M63X103KB30T607 | 63 X 10K 10% T607 BO100 e3 | M70L502KB25 | 70 L 5K 10% BO50 e3 |
| M63X103KB40 | 63 X 10K 10% BO200 e3 | M70L503KB25 | 70 L 50K 10% BO50 e3 |
| M63X103KB40T614 | 63 X 10K 10% T614 BO200 e3 | M70L503KB25T601 | 70 L 50K 10% T601 BO50 e3 |
| M63X104KB30T607 | 63 X 100K 10% T607 BO100 e3 | M70Y100KB25 | 70 Y 10U 10% BO50 e3 |
| M63X104KB40 | 63 X 100K 10% BO200 e3 | M70Y101KB25 | 70 Y 100U 10% BO50 e3 |
| M63X104KB40T614 | 63 X 100K 10% T614 BO200 e3 | M70Y102KB25 | 70 Y 1K 10% BO50 e3 |
| M63X105KB40 | 63 X 1M 10% BO200 e3 | M70Y103KB25 | 70 Y 10K 10% BO50 e3 |
| M63X201KB40 | 63 X 200U 10% BO200 e3 | M70Y104KB25 | 70 Y 100K 10% BO50 e3 |
| M63X202KB30T607 | 63 X 2K 10% T607 BO100 e3 | M70Y105KB25 | 70 Y 1M 10% BO50 e3 |
| M63X202KB40 | 63 X 2K 10% BO200 e3 | M70Y200KB25 | 70 Y 20U 10% BO50 e3 |
| M63X203KB30T607 | 63 X 20K 10% T607 BO100 e3 | M70Y201KB25 | 70 Y 200U 10% BO50 e3 |
| M63X203KB40 | 63 X 20K 10% BO200 e3 | M70Y202KB25 | 70 Y 2K 10% BO50 e3 |
| M63X203KB40T614 | 63 X 20K 10% T614 BO200 e3 | M70Y203KB25 | 70 Y 20K 10% BO50 e3 |
| M63X204KB40 | 63 X 200K 10% BO200 e3 | M70Y203KB25T601 | 70 Y 20K 10% T601 BO50 e3 |
| M63X205KB30T607 | 63 X 2M 10% T607 BO100 e3 | M70Y204KB25 | 70 Y 200K 10% BO50 e3 |
| M63X205KB40 | 63 X 2M 10% BO200 e3 | M70Y205KB25 | 70 Y 2M 10% BO50 e3 |
| M63X251KB40 | 63 X 250U 10% BO200 e3 | M70Y250KB25 | 70 Y 25U 10% BO50 e3 |
| M63X253KB40 | 63 X 25K 10% BO200 e3 | M70Y253JB25 | 70 Y 25K 5% BO50 e3 |
| M63X254KB40 | 63 X 250K 10% BO200 e3 | M70Y253KB25 | 70 Y 25K 10% BO50 e3 |
| M63X302KB40 | 63 X 3K 10% BO200 e3 | M70Y500KB25 | 70 Y 50U 10% BO50 e3 |
| M63X501KB40 | 63 X 500U 10% BO200 e3 | M70Y501KB25 | 70 Y 500U 10% BO50 e3 |
| M63X502KB30T607 | 63 X 5K 10% T607 BO100 e3 | M70Y502KB25 | 70 Y 5K 10% BO50 e3 |
| M63X502KB40 | 63 X 5K 10% BO200 e3 | M70Y503KB25 | 70 Y 50K 10% BO50 e3 |
| M63X502KB40T614 | 63 X 5K 10% T614 BO200 e3 | M70Y504KB25 | 70 Y 500K 10% BO50 e3 |