

IEC Appliance Inlet C20 with Filter, Front or Rear Side Mounting

Standard- or Medical-Filter

Screw-on mounting
from front sideSnap-in mounting
from front sideScrew-on mounting
from rear side
with wires (stranded)C20

70° C**Description**

- Panel Mount:
Screw-on version from front or rear side, snap-in version from front side
- 2 Functions:
Appliance Inlet Protection class I, Line filter in standard and medical version
- Solder, quick connect or wires (stranded)

Approvals

- VDE Certificate Number: 104884
- UL File Number: E72928

Characteristics

- Compact design with optimal shielding
Suitable for assembly in metal plated plastic housings
- Version with class X1 and X2 (standard version) capacitors
- Universal line filter for standard applications
Designed for standard and medical applications
- Qualified for use in equipment according IEC/EN 60950

Other versions on request

- 16A according to UL
- Capacity CX 330 nF

References**Weblinks**

[pdf](#), [html](#), [General Product Information](#), [Approvals](#), [RoHS](#), [CHINA-RoHS](#), [Mating Connectors](#), [e-Store](#), [SCHURTER-Stock-Check](#), [Distributor-Stock-Check](#), [Accessories](#), [Wire Harness](#)

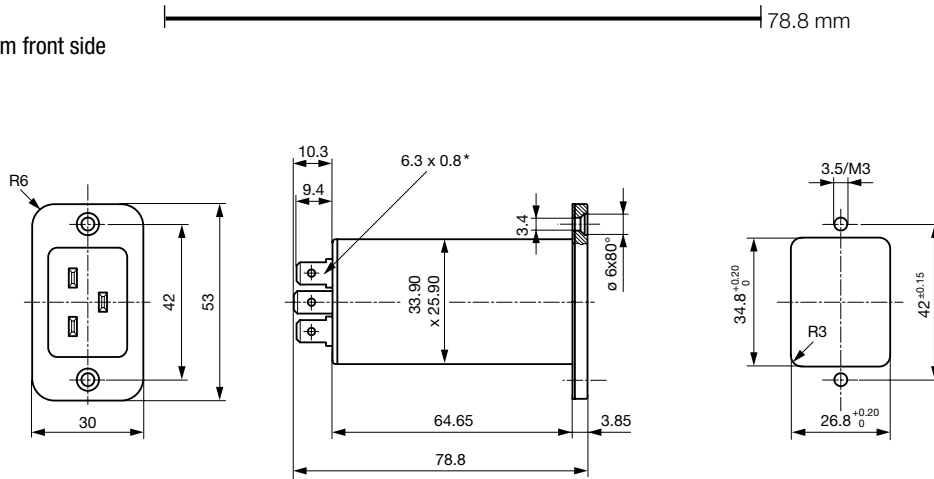
Newly available variants corresponding to V-Lock mating cordset. The connector is equipped with a notch intended for use with the latching cordset. The cord latching system prevents against accidental removal of the cordset.

Technical Data

Ratings IEC	16A @ Ta 40 °C / 250VAC; 50Hz	Appliance-Inlet/-Outlet	C20 acc. to IEC/EN 60320-1, UL 498, CSA C22.2 no. 42 (for cold conditions) pin-temperature 70 °C, 16A, Protection Class 1
Ratings UL/CSA	20A @ Ta 40 °C / 250VAC; 60Hz	Line Filter	Standard and Medical Version, IEC 60939, IEC 60601-1, UL 1283, UL 544, EN 133 200, CSA C22.2 no. 8 Technical details
Leakage Current	standard < 0.5 mA (250 V / 60Hz) medical < 5 µA (250 V / 60 Hz)	MTBF	> 3'000'000h acc. to MIL-HB-217 F
Dielectric Strength	> 1.7 kVDC between L-N (Cy2) > 2.7 kVDC between L/N-PE (Cy2) Test voltage (2 sec)		
Impulse Withstand Voltage	> 2.5 kV between L-N (CX2) > 4 kV between L-N (CX1) > 5 kV between L/N-PE (Cy2) voltage (1.2/50 µs)		
Allowable Operation Temp.	-25 °C to 85 °C		
Climatic Category	25/085/21 acc. to IEC 60068-1		
Degree of Protection	from front side IP 40 acc. to IEC 60529		
Protection Class	Suitable for appliances with protection class 1 acc. to IEC 61140		
Terminal	Solder, quick connect or wires (stranded)		
Panel Thickness s	Screw: max 8 mm Mounting screw torque max 0.5 Nm Snap-in: 1 mm to 3 mm		
Material: Housing	Thermoplastic, black, UL 94V-0		

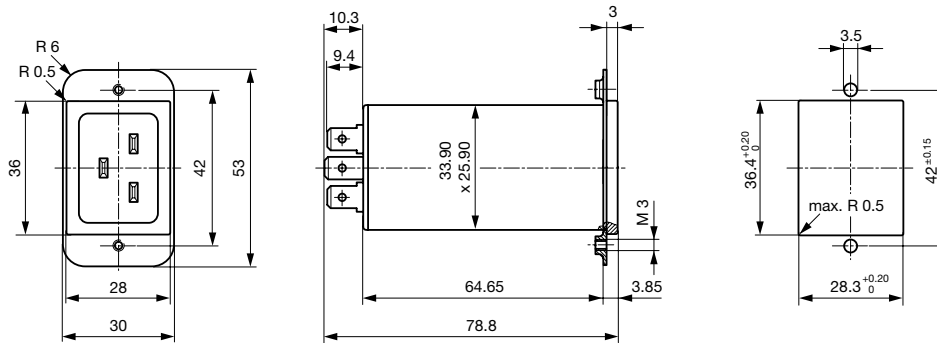
Dimensions

Screw-on mounting from front side

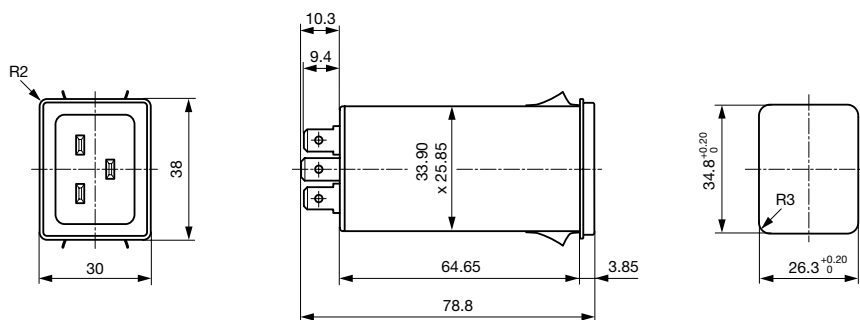


* Solder terminal: identical outer dimensions

Screw-on mounting from rear side with metal flange



Snap-in mounting from front side

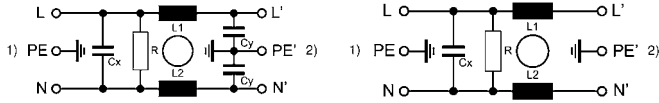


Technical Data of Filter-Components

Rated Current [A]	Filter-Type	Inductances L [mH]	Capacitance CX [nF]	Capacitance CY [nF]	R [MΩ]
16	Standard Version	2 x 0.3	100	2.2	1
16	Medical Version (M5)	2 x 0.3	100	-	1
16	Medical Version (M80)	2 x 0.3	100	0.47	1

Diagrams

Standard or medical version (M80) Medical version



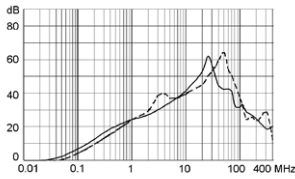
1) Line
2) Load

1) Line
2) Load

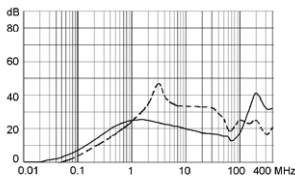
Attenuation Loss

--- differential mode ____ common mode

Standard version
20 A



Medical version (M5)
20 A



Variants

Rated Current IEC [A]	Rated Current UL [A]	Filter-Type	Panel mounting	Mounting side	Terminal	Capacitor	Order Number
16	20	Standard Version	Screw	Front-Side	Quick connect terminals 6.3 x 0.8 mm	X2	C20F.0101
16	20	Standard Version	Screw	Front-Side	Quick connect terminals 6.3 x 0.8 mm	X2	C20F.0101.21
16	20	Standard Version	Screw	Front-Side	Quick connect terminals 6.3 x 0.8 mm	X1	C20F.0103
16	20	Standard Version	Screw	Front-Side	Solder terminals	X2	C20F.0001
16	20	Standard Version	Screw	Front-Side	Solder terminals	X2	C20F.0001.21
16	20	Standard Version	Screw	Front-Side	Solder terminals	X1	C20F.0003
16	20	Standard Version	Screw	Rear-Side	Flexible wire AWG14	X2	C20F.0221
16	20	Standard Version	Screw	Rear-Side	Flexible wire AWG14	X1	C20F.0223
16	20	Standard Version	Screw	Rear-Side	Quick connect terminals 6.3 x 0.8 mm	X2	C20F.0121
16	20	Standard Version	Screw	Rear-Side	Quick connect terminals 6.3 x 0.8 mm	X1	C20F.0123
16	20	Standard Version	Screw	Rear-Side	Solder terminals	X2	C20F.0021
16	20	Standard Version	Screw	Rear-Side	Solder terminals	X1	C20F.0023
16	20	Standard Version	Snap-in	Front-Side	Quick connect terminals 6.3 x 0.8 mm	X2	C20F.0111
16	20	Standard Version	Snap-in	Front-Side	Quick connect terminals 6.3 x 0.8 mm	X1	C20F.0113
16	20	Standard Version	Snap-in	Front-Side	Solder terminals	X2	C20F.0011
16	20	Standard Version	Snap-in	Front-Side	Solder terminals	X1	C20F.0013
16	20	Medical Version (M5)	Screw	Front-Side	Quick connect terminals 6.3 x 0.8 mm	X2	C20F.0102
16	20	Medical Version (M5)	Screw	Front-Side	Quick connect terminals 6.3 x 0.8 mm	X1	C20F.0104
16	20	Medical Version (M5)	Screw	Front-Side	Solder terminals	X2	C20F.0002
16	20	Medical Version (M5)	Screw	Front-Side	Solder terminals	X1	C20F.0004
16	20	Medical Version (M5)	Screw	Rear-Side	Flexible wire AWG14	X2	C20F.0222
16	20	Medical Version (M5)	Screw	Rear-Side	Flexible wire AWG14	X1	C20F.0224
16	20	Medical Version (M5)	Screw	Rear-Side	Quick connect terminals 6.3 x 0.8 mm	X2	C20F.0122

Rated Current IEC [A]	Rated Current UL [A]	Filter-Type	Panel mounting	Mounting side	Terminal	Capacitor	Order Number
16	20	Medical Version (M5)	Screw	Rear-Side	Quick connect terminals 6.3 x 0.8 mm	X1	C20F.0124
16	20	Medical Version (M5)	Screw	Rear-Side	Solder terminals	X2	C20F.0022
16	20	Medical Version (M5)	Screw	Rear-Side	Solder terminals	X1	C20F.0024
16	20	Medical Version (M5)	Snap-in	Front-Side	Quick connect terminals 6.3 x 0.8 mm	X2	C20F.0112
16	20	Medical Version (M5)	Snap-in	Front-Side	Quick connect terminals 6.3 x 0.8 mm	X1	C20F.0114
16	20	Medical Version (M5)	Snap-in	Front-Side	Solder terminals	X2	C20F.0012
16	20	Medical Version (M5)	Snap-in	Front-Side	Solder terminals	X1	C20F.0014

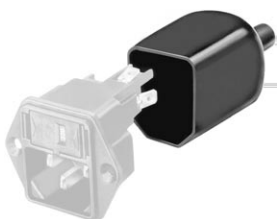
Wire length: 150 mm

Suffix "21" corresponds to the version with V-Lock mating cordset. The connector is equipped with a notch intended for use with the latching cordset. The cord latching system prevents against accidental removal of the cordset. Available only for screw-on versions.

Packaging unit 20 Pcs

Accessories

Description



Assorted Covers
Rear Cover

0859.0047



Wire Harness
Wire harness for SCHURTER products



Cord retaining kits
Cord retaining strain relief

Countersunk, K

4700.0010

Flat head, L

4700.0011

Mating Outlets/Connectors

Category / Description

[ConnectorOverview complete](#)



IEC Connector C19, Rewireable, Straight

0104

IEC Connector C19, Rewireable, Angled

1651

IEC Connector C19, Rewireable, Straight

1652

IEC Connector C19, Rewireable, Angled

4790

IEC Connector C19, Rewireable, Straight

4795

[Connectorfurther types toC20F](#)



[Power Cord Overview complete](#)

[Power Cord with IEC Connector C19, Straight](#)

1654

[Power Cord further types to C20F](#)

[Power Supply or Interconnection Cord Overview complete](#)

[Divers Power Supply and Interconnection Cords 16 A](#)

Kabelverbindung/16 A

[Power Supply or Interconnection Cord further types to C20F](#)