

PLEASE CHECK WWW.MOLEX.COM FOR LATEST PART INFORMATION

Part Number: **1705251618**

Status: **Active**

Overview: Impact™ Backplane Connector and Cable Assembly System

Description: Impact™ 85 Ohm Plus 3 Pair Vertical Backplane Header, Unguided, Left Endwall, 16 Columns, 144 Circuits, Pin Length 5.50mm, Plated Through Hole Dimension 0.39mm, Lead Free

Documents:

[Drawing \(PDF\)](#)

[Product Specification PS-170540-999-001 \(PDF\)](#)

[Application Specification AS-76060-990-001 \(PDF\)](#)

[Packaging Specification PK-70873-7700 \(PDF\)](#)

[RoHS Certificate of Compliance \(PDF\)](#)

Agency Certification

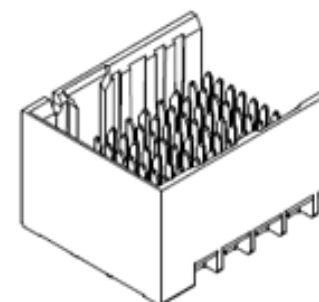
UL E29179

General

Product Family	Backplane Connectors
Series	<u>170525</u>
Application	Conventional
Application Tooling Documents	TM-622018799
Component Type	PCB Header
Overview	<u>Impact™ Backplane Connector and Cable Assembly System</u>
Product Name	Impact™
UPC	887191209814

Physical

Circuits (Loaded)	144
Circuits (maximum)	144
Color - Resin	Gray
Durability (mating cycles max)	200
First Mate / Last Break	No
Flammability	94V-0
Guide to Mating Part	No
Keying to Mating Part	None
Material - Metal	High Performance Alloy (HPA)
Material - Plating Mating	Gold
Material - Plating Termination	Tin
Material - Resin	High Temperature Thermoplastic
Net Weight	4.712/g
Number of Columns	16
Number of Pairs	3
Number of Rows	9
Orientation	Vertical
PC Tail Length	1.40mm
PCB Locator	No
PCB Retention	None
PCB Thickness - Recommended	1.00mm
Packaging Type	Tray
Pitch - Mating Interface	1.35mm, 1.90mm
Pitch - Termination Interface	1.35mm, 1.90mm
Plating min - Mating	0.762µm
Polarized to PCB	No
Stackable	No
Surface Mount Compatible (SMC)	No
Temperature Range - Operating	-55°C to +85°C
Termination Interface: Style	Through Hole - Compliant Pin



Series image - Reference only

EU ELV

Not Relevant

EU RoHS

Compliant

REACH SVHC

Not Contained Per -
ED/21/2016 (20 June
2016)

Halogen-Free

Status

Low-Halogen

Need more information on product environmental compliance?

Email productcompliance@molex.com
Please visit the [Contact Us](#) section for any non-product compliance questions.

China ROHS

ELV

RoHS Phthalates

Green Image

Not Relevant

Not Contained

Search Parts in this Series

170525 Series

Mates With

170480 Impact™ 85 Ohm Plus Right Angle Receptacle

Electrical

Current - Maximum per Contact	0.75A
Data Rate	25.0 Gbps
Impedance	85Ω
Shield Type	N/A
Shielded	No
Voltage - Maximum	30V AC (RMS)/DC

Solder Process Data

Lead-freeProcess Capability	N/A
-----------------------------	-----

Material Info**Reference - Drawing Numbers**

Application Specification	AS-76060-990-001
Packaging Specification	PK-70873-7700
Product Specification	PS-170540-999-001
Sales Drawing	SD-170525-0001
Symbol/Footprint Data	SYM-170525-1618

This document was generated on 01/17/2017

PLEASE CHECK WWW.MOLEX.COM FOR LATEST PART INFORMATION