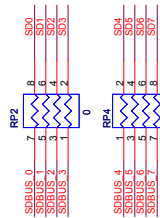
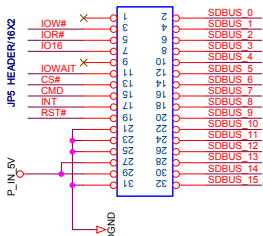
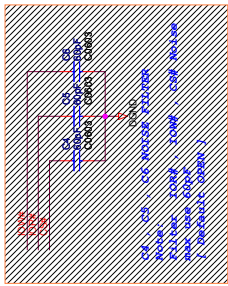


RST# : LOW ACTIVE (POWER RESET)
CS# : LOW ACTIVE (CHIP SELECT)
IOR# : LOW ACTIVE (IO DATA READ)
IOW# : LOW ACTIVE (IO DATA WRITE)
INT : HIGH ACTIVE (INTERRUPT ACTIVE)

JP1 : ON : USE 8 Bit MODE
 OFF : USE 16 Bit MODE
JP2 : ON : USE EEPROM
 OFF : NOT USE EEPROM
JPx : ON : INT LOW ACTIVE
 OFF : INT HIGH ACTIVE

FOR NORMAL SYSTEM

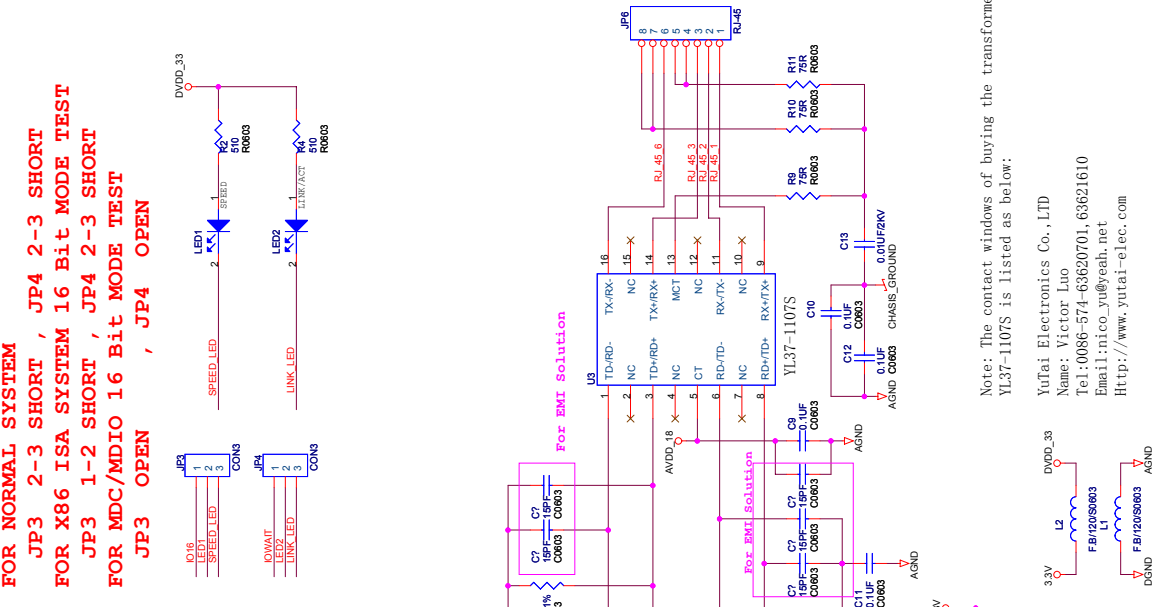
JP3 2-3 SHORT , JP4 2-3 SHORT
FOR X86 ISA SYSTEM 16 Bit MODE TEST
JP3 1-2 SHORT , JP4 2-3 SHORT
FOR MDC/MADIO 16 Bit MODE TEST
JP3 OPEN , JP4 OPEN



* OPTION: RPI-RP4 for bus noise modify resistor.

DATA BUS CONNECTOR 16 Bit Mode 8 Bit Mode

SD0	SD16
SD1	SD17
SD2	SD18
SD3	SD19
SD4	SD20
SD5	SD21
SD6	SD22
SD7	SD23
SD8	SD24
SD9	SD25
SD10	SD26
SD11	SD27
SD12	SD28
SD13	SD29
SD14	SD30
SD15	SD31
SD16	SD32
SD17	SD33
SD18	SD34
SD19	SD35
SD20	SD36
SD21	SD37
SD22	SD38
SD23	SD39
SD24	SD40
SD25	SD41
SD26	SD42
SD27	SD43
SD28	SD44
SD29	SD45
SD30	SD46
SD31	SD47
SD32	SD48
SD33	SD49
SD34	SD50
SD35	SD51
SD36	SD52
SD37	SD53
SD38	SD54
SD39	SD55
SD40	SD56
SD41	SD57
SD42	SD58
SD43	SD59
SD44	SD60
SD45	SD61
SD46	SD62
SD47	SD63
SD48	SD64
SD49	SD65
SD50	SD66
SD51	SD67
SD52	SD68
SD53	SD69
SD54	SD70
SD55	SD71
SD56	SD72
SD57	SD73
SD58	SD74
SD59	SD75
SD60	SD76
SD61	SD77
SD62	SD78
SD63	SD79
SD64	SD80
SD65	SD81
SD66	SD82
SD67	SD83
SD68	SD84
SD69	SD85
SD70	SD86
SD71	SD87
SD72	SD88
SD73	SD89
SD74	SD90
SD75	SD91
SD76	SD92
SD77	SD93
SD78	SD94
SD79	SD95
SD80	SD96
SD81	SD97
SD82	SD98
SD83	SD99
SD84	SD100
SD85	SD101
SD86	SD102
SD87	SD103
SD88	SD104
SD89	SD105
SD90	SD106
SD91	SD107
SD92	SD108
SD93	SD109
SD94	SD110
SD95	SD111
SD96	SD112
SD97	SD113
SD98	SD114
SD99	SD115
SD100	SD116



Preliminary (for Reference Only)

Note: The contact windows of buying the transformer YL37-11075 is listed as below:

Yutai Electronics Co., LTD
 Name: Victor Luo
 Tel: 0086-574-6362701, 63621610
 Email: nico_yu@yeah.net
 Http://www.yutai-elec.com