

# PCI 6150

## Connectivity

- 32-bit, 33MHz-66MHz Asynchronous operation
- 5V signal input tolerance and 5V signal to 3.3V signal conversions
- 208-pin PQFP
- 1KB FIFO size
- PCI Bus Types
- Transparent Bridge Function
- Support for 9 Bus Masters

## Performance

- **Flow-Thru™** architecture for higher PCI-to-PCI bridging efficiency
- Intel 21150 pin compatible, plus enhanced features
- Independent external clock input option for secondary port output clocks
- Large 1K Byte buffer for efficient PCI-to-PCI bridging and speed conversion
- 9 pairs of REQ/GNT signals support up to 8 bus masters directly on secondary bus
- EEPROM support for extra register control
- Vital Product Data (VPD)
- 4 general purpose IO interface
- PME D3 wakeup power



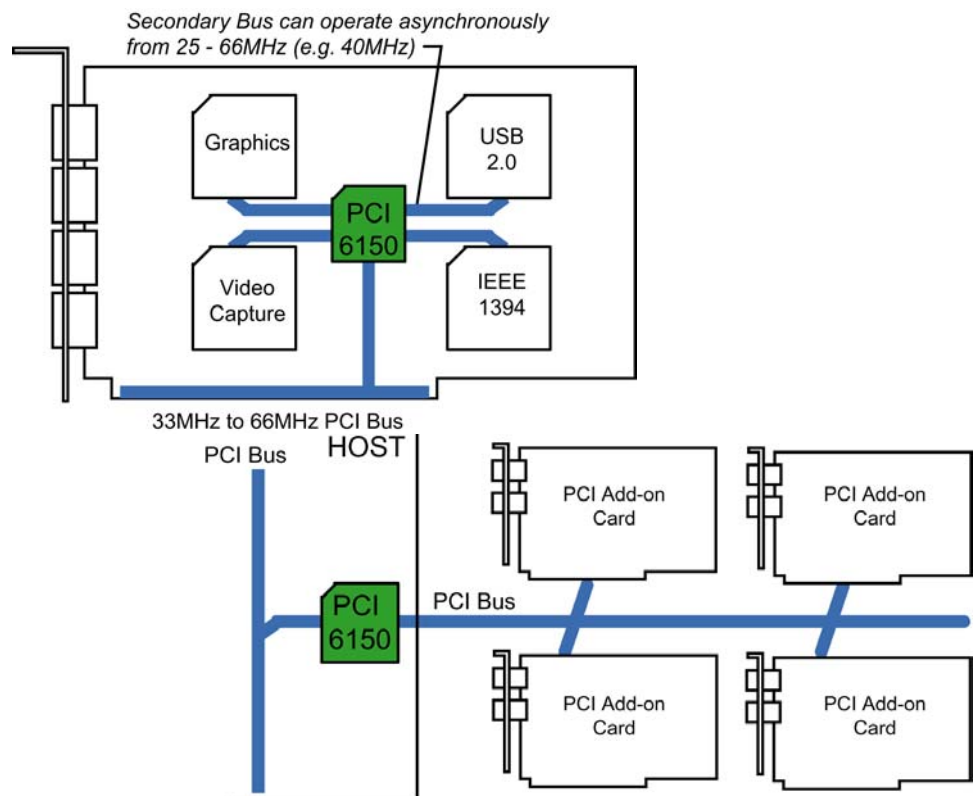
PLX Technology, Inc.  
870 Maude Ave.  
Sunnyvale, CA 94085 USA  
Tel: 1-800-759-3735  
Tel: 1-408-774-9060  
Fax: 1-408-774-2169  
Email: [info@plxtech.com](mailto:info@plxtech.com)  
Web Site: [www.plxtech.com](http://www.plxtech.com)

## Asynchronous PCI-to-PCI Bridge

### High Performance Asynchronous 66MHz, 32-bit, PCI-to-PCI Bridge for Servers, Storage, DSP, Telecommunication, Networking and Embedded Applications

PLX's PCI 6150 is a 32-Bit PCI-to-PCI bridge designed for high performance, high availability applications in hot swap, bus expansions, programmable data transfer rate control, frequency conversions from slower PCI to faster PCI buses or from faster PCI to slower PCI buses.

The PCI 6150 includes sophisticated buffer management and buffer configuration options designed to provide customizable performance optimization. The PCI 6150 has the biggest data FIFO among all 32-bit PCI-to-PCI bridges in the market.



## Product Ordering Information

Part Number	Description
PCI 6150-xx66BC	PCI 6150 PCI-to-PCI Bridge Chip (PQFP)

Please visit the PLX Web site at <http://www.plxtech.com> or contact PLX sales at 408-774-9060 for more information.