



SurgeArresters

陶瓷气体放电管

SXH8 Series

Gas Discharge Tubes - SXH8 Series



GDT introduction: Gas discharge tubes (GDT) use noble gases enclosed in ceramic tubes to provide an alternate circuit path for voltage spikes. The ceramic envelope and with nickel connectors allow for high loads and Surging offers products that function at 20KA, 40KA, 50KA, 60KA, 100KA & 150KA. The breakdown voltages of the devices have a wide range (up to 20% tolerance). Major applications are high frequency telecommunication lines, stations, security systems, HID and high quality Surge Protection Devices (SPD).

Features

- | | |
|--------------------------------------|--|
| 1. RoHS & HF compliant | 5. Low capacitance |
| 2. Rugged ceramic-metal construction | 6. Agency recognition :UL/cUL |
| 3. Available with or without leads | 7. Operating temperature : -30°C ~ +85°C |
| 4. DC spark-over voltage: 70~3600V | Storage temperature: -40°C ~ +115°C |

Recommended Applications

- | | |
|----------------|-------------------------|
| 1. Cable Modem | 5. Power supplier |
| 2. xDSL | 6. Consumer electronics |
| 3. Set-Top Box | |
| 4. TV sets | |

Part Number Code

SXH8 0 - 230X SMDT

Series:

SX5系列: ϕ 5.5*6
SXH8系列: ϕ 8*6

Lead Type:

0=SMD
1=Thrust

DC Line Voltage:

90X=90V
230X=230V
102X=1000V

Package:

SMD=Cylinder No Lead
SMDT=2-SMD Cylinder Square End

Gas Discharge Tubes - SXH8 Series

Electrical Characteristics

Part No.		DC Spark-over Voltage	Maximum Impulse Breakdown Voltage		Max. Impulse Discharge Current (8/20 μ s)		Impulse Life (10/1000 μ s)	Normal Alternating Discharge Current		DC Holdover Voltage	Minimum Insulation Resistance	Maximum Capacitance (1MHz)
			100V/S	100V/ μ S	1KV/ μ s	1 times		10 times	100 A			
DIP	SMD	(V)	(V)	(V)	(KA)		Times	(A)		(V)	(G Ω)	(pF)
SXH81-70X	SXH80-70X	70 \pm 20%	500	600	15	10	300	10	65	52	1	1.5
SXH81-75X	SXH80-75X	75 \pm 20%	500	600	15	10	300	10	65	52	1	1.5
SXH81-90X	SXH80-90X	90 \pm 20%	500	600	15	10	300	10	65	52	1	1.5
SXH81-120X	SXH80-120X	120 \pm 20%	500	700	15	10	300	10	65	52	1	1.5
SXH81-150X	SXH80-150X	150 \pm 20%	500	700	15	10	300	10	65	52	1	1.5
SXH81-230X	SXH80-230X	230 \pm 20%	500	700	15	10	300	10	65	80	1	1.5
SXH81-250X	SXH80-250X	250 \pm 20%	500	700	15	10	300	10	65	135	1	1.5
SXH81-300X	SXH80-300X	300 \pm 20%	700	900	15	10	300	10	65	150	1	1.5
SXH81-350X	SXH80-350X	350 \pm 20%	700	900	15	10	300	10	65	150	1	1.5
SXH81-400X	SXH80-400X	400 \pm 20%	800	1000	15	10	300	10	65	150	1	1.5
SXH81-470X	SXH80-470X	470 \pm 20%	900	1100	15	10	300	10	65	150	1	1.5
SXH81-600X	SXH80-600X	600 \pm 20%	1100	1300	15	10	300	10	65	150	1	1.5
SXH81-800X	SXH80-800X	800 \pm 20%	1500	1700	15	10	300	10	65	150	1	1.5
SXH81-102X	SXH80-102X	1000 \pm 20%	1600	1800	15	10	300	10	65	150	1	1.5
SXH81-122X	SXH80-122X	1200 \pm 20%	1800	2000	15	10	300	10	65	150	1	1.5
SXH81-152X	SXH80-152X	1500 \pm 20%	2200	2400	15	10	300	10	65	150	1	1.5
SXH81-162X	SXH80-162X	1600 \pm 20%	2400	2600	15	10	300	10	65	150	1	1.5
SXH81-202X	SXH80-202X	2000 \pm 20%	2800	3000	15	10	300	10	65	150	1	1.5
SXH81-252X	SXH80-252X	2500 \pm 20%	3300	3500	15	10	300	10	65	150	1	1.5
SXH81-302X	SXH80-302X	3000 \pm 20%	3800	4000	15	10	300	10	65	150	1	1.5
SXH81-362X	SXH80-362X	3600 \pm 20%	4400	4600	15	10	300	10	65	150	1	1.5

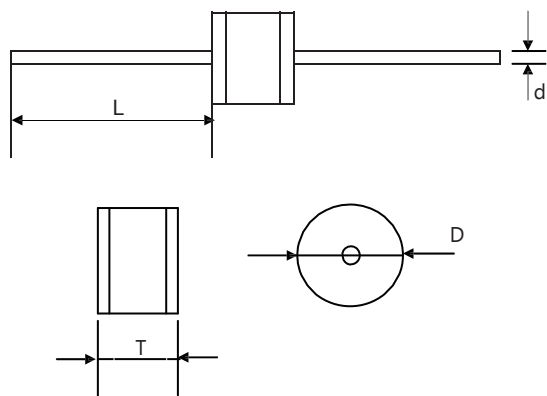
DC Spark-over Voltage	DC Measuring Voltage
70-90V	50V
120-400V	100V
1000-3600V	250V

Gas Discharge Tubes - SXH8 Series

Dimension

SXH81 (Axial lead type)

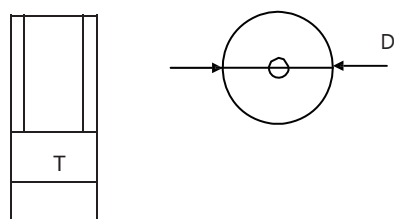
Unit:mm



Item	Dimensions	
	Spec.	Tolerance
D	8.0	+0.3/-0.5
T	6.0	+0.3/-0.5
L	20	Min.
d	0.8	±0.05

SXH80 (No lead type)

Unit:mm



Item	Dimensions	
	Spec.	Tolerance
D	8.0	+0.3/-0.5
T	6.0	+0.3/-0.5

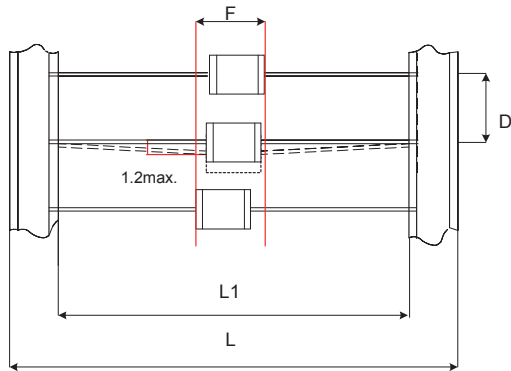
Packaging Taping

Unit:mm

Plastic Tray (252×135×10mm)	Inner Box (270×145×50mm)	Outside Box (310×280×275mm)
100 PCS/ Plastic Tray	500 PCS/ Box	5,000 PCS/ Carton

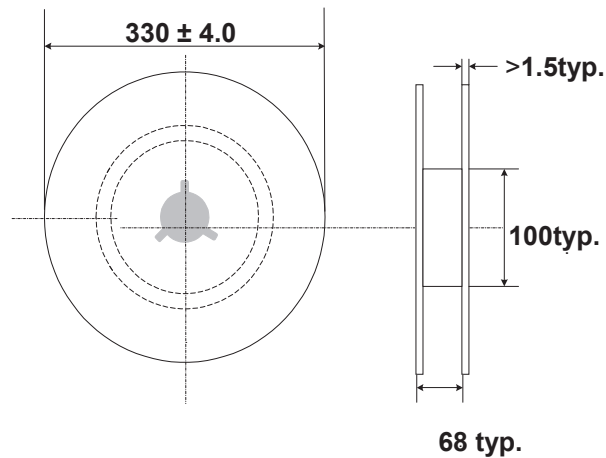
Gas Discharge Tubes - SXH8 Series

For 2-electrode Axial Lead GDT: 500 PCS/Reel



Unit:mm

Item	Dimensions	
	Spec.	Tolerance
L1	52	±2
L	64	±3
D	10	±0.5
F	T+1.4	Max.



Warehouse Storage Conditions of Products

• Storage Conditions:

1. Storage Temperature: -10°C~+40°C
2. Relative Humidity: ≤75%RH
3. Keep away from corrosive atmosphere and sunlight.

• Period of Storage: 1 year