

1

2

3

4

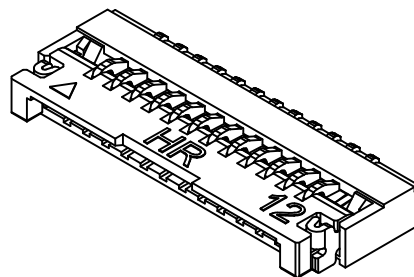
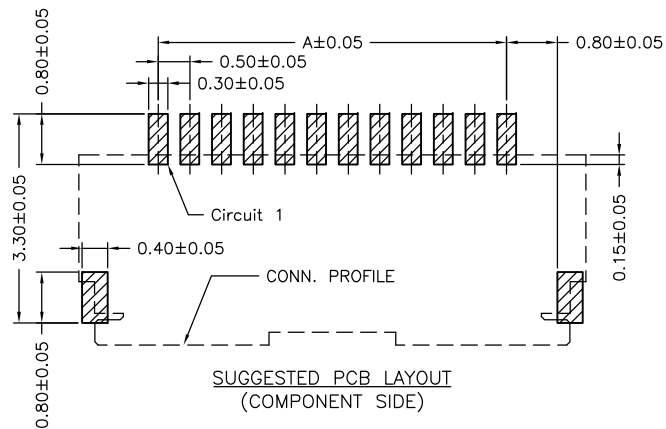
Ordering code

F0504 WR-S-XP
① ② ③ ④

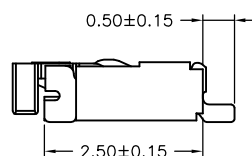
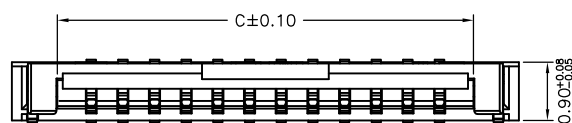
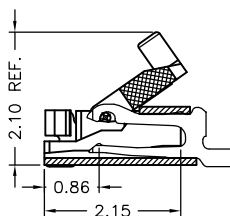
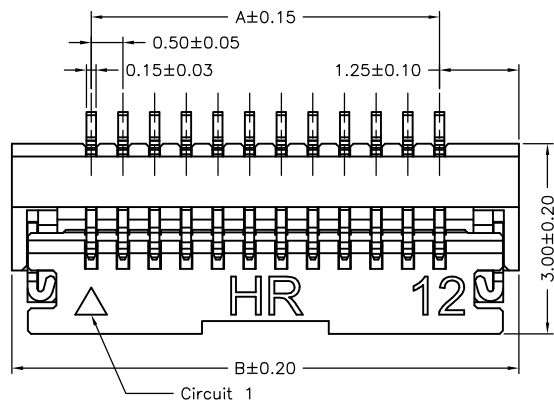
- ① Series No.
- ② Connector type: WR=Right angle
- ③ Mounting type: S=SMT
- ④ No. of circuits

SPECIFICATIONS

Current Rating: 0.5A AC,DC
 Voltage Rating: 50V AC,DC
 Temperature Range: -25°C ~ +85°C
 Contact Resistance: 100mΩ Max.
 Insulation Resistance: 500MΩ Min.
 Withstanding Voltage: 150V AC/minute
 Contacts: Phosphor Bronze/Gold-plated
 Solder Tabs: Phosphor Bronze/Gold-flash
 Housing: LCP,UL94V-0,Natural(Beige)
 Cover: Nylon 6T,UL94V-0,Natural(Black)



Circuit No.	Dimensions		
	A	B	C
04P	1.50	4.00	2.57
06P	2.50	5.00	3.57
08P	3.50	6.00	4.57
09P	4.00	6.50	5.07
12P	5.50	8.00	6.57
13P	6.00	8.50	7.07
17P	8.00	10.50	9.07
18P	8.50	11.00	9.57
20P	9.50	12.00	10.57
22P	10.50	13.00	11.57
24P	11.50	14.00	12.57
26P	12.50	15.00	13.57
27P	13.00	15.50	14.07
30P	14.50	17.00	15.57
40P	19.50	22.00	20.57
50P	24.50	27.00	25.57



燦達電子工業股份有限公司
 JOINT TECH ELECTRONIC IND. CO., LTD.

UNIT	SCALE	SHEET	TITLE:
mm		1 of 2	
DRAWN BY	APPROVED BY	0.50mm PITCH FFC/FPC CONNECTOR, 90° SMT TYPE, ZIF, BOTTOM CONTACT STYLE	
李勤	董正一		
2006.10.09	2006.10.09		
GENERAL TOLERANCE			
A3	EN1003020110		
A2	REVISE	2008.07.23	ANGLE±
A1	REVISE	2007.06.27	X.X±0.25
A0	NEW RELEASE	2006.10.09	X.XX±0.15
REV.	DESCRIPTION	DATE	X.XXX±0.05

DRAW NO.: F0504WR-S-XP

REV. A3

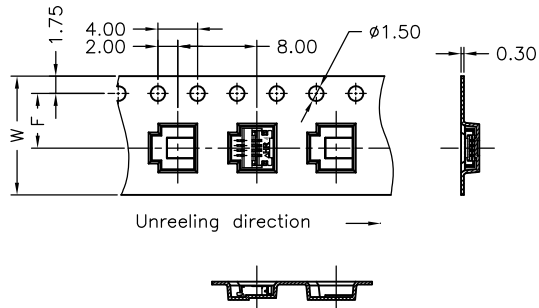
1

2

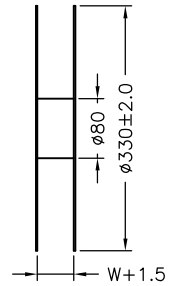
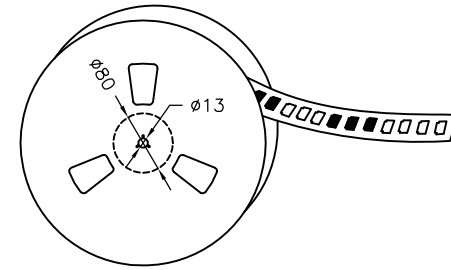
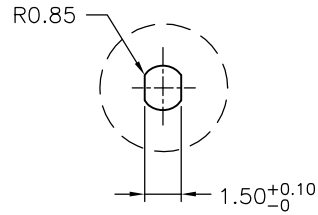
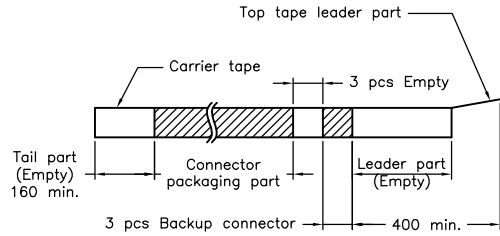
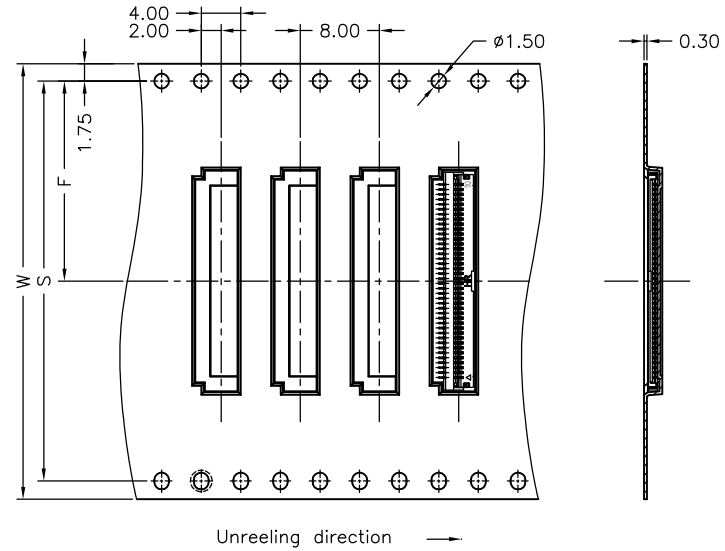
3

4

04~30 Contacts



40~50 Contacts



NOTE:

Material: Transparent
Anti-static Polystyrene.

Number of Contacts	W±0.3	F±0.1	S±0.1	Q'ty/Reel
04P	12	5.50		4,000
06P	16	7.50		4,000
08P	16	7.50		4,000
09P	16	7.50		4,000
12P	16	7.50		4,000
13P	16	7.50		4,000
17P	24	11.50		4,000
18P	24	11.50		4,000
20P	24	11.50		4,000
22P	24	11.50		4,000
24P	24	11.50		4,000
26P	24	11.50		4,000
27P	24	11.50		4,000
30P	24	11.50		4,000
40P	44	20.20	40.40	4,000
50P	44	20.20	40.40	4,000

			燦達電子工業股份有限公司 JOINT TECH ELECTRONIC IND. CO., LTD.	
		UNIT	SCALE	SHEET
		mm		2 of 2
		DRAWN BY		APPROVED BY
		歐陽小強		董正一
A3	EN1003020110	2010.03.02	2006.10.09	2006.10.09
A2	REVISE	2008.07.23	GENERAL TOLERANCE	
A1	REVISE	2007.09.07	X. X±0.25	ANGLE±
A0	NEW RELEASE	2006.10.09	X. XX±0.15	
REV.	DESCRIPTION	DATE	X. XXX±0.05	
				TITLE: 0.50mm PITCH FFC/FPC CONNECTOR, 90° SMT TYPE, ZIF, BOTTOM CONTACT STYLE, TAPING SPEC.
				DRAW NO.: F0504WR-S-XP
				REV. A3