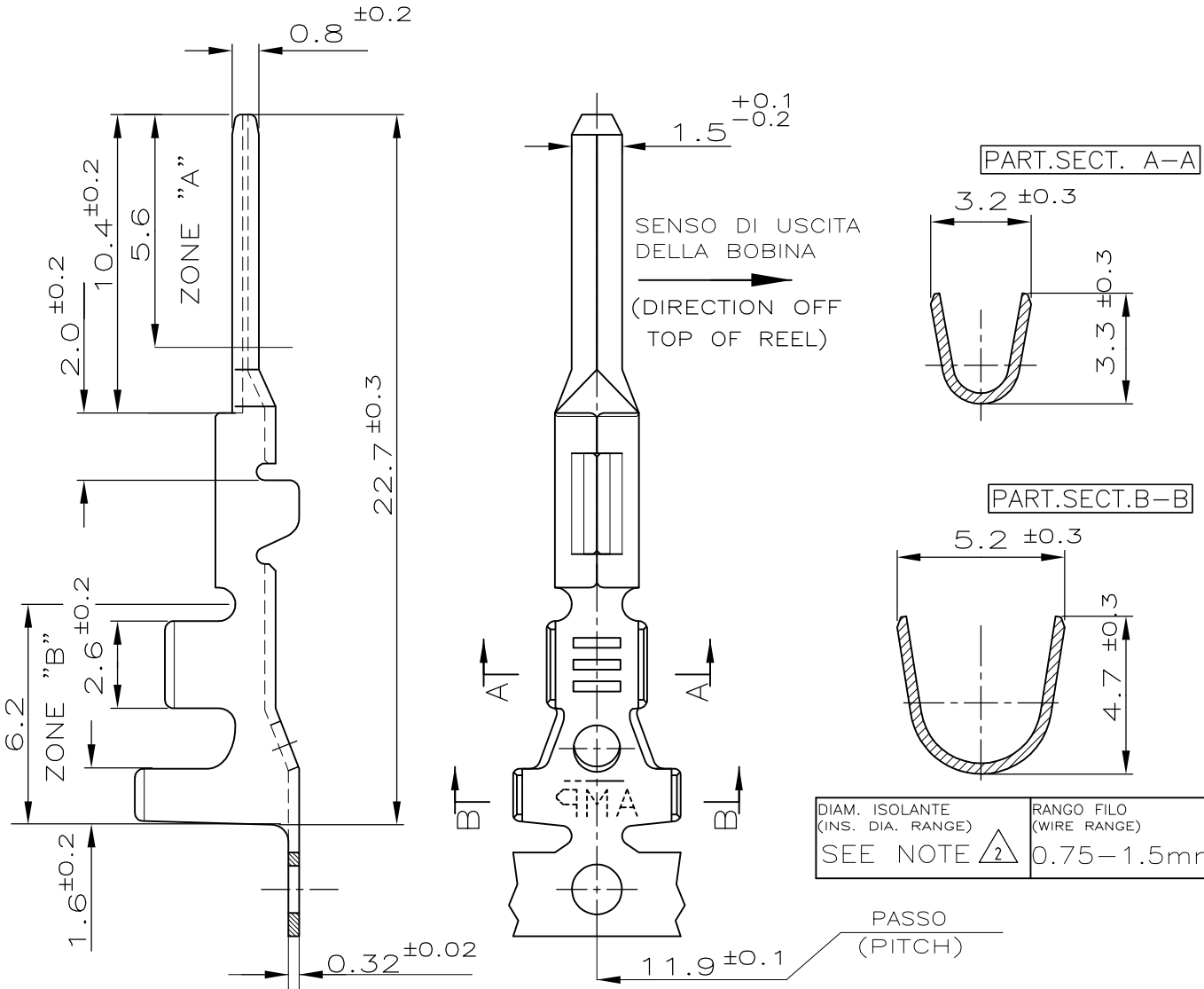


LOC		DIST		REVISIONS			
		P	LTR	DESCRIPTION	DATE	DWN	APVD
			E6	REVISED PER ECO-11-005033	2APR11	RK	HMR



2 ADATTO PER GOMMINO AMP P/N 281934-...  
(SUITABLE FOR SINGLE WIRE SEAL AMP P/N 281934-...)

1 SOLO PER PRODUZIONE AMP GERMANY:  
DORATURA 0.8µm NELLA "ZONA A", STAGNATURA NELLA "ZONA B" E NICHELATURA SU TUTTO IL CONTATTO.  
(FOR AMP GERMANY PRODUCTION ONLY:  
GOLD PLTD 0.8µm OVER "ZONE A", TIN PLTD OVER "ZONE B" AND NICKEL UNDERPLATING ALL OVER)

PRE STAGNATO (PRE-TIN)	BRONZO FOSF. (PHOSPH. BRONZE)	282109-5
DORATO (GOLD PLTD) 1	OTTONE (BRASS)	282109-3
PRE STAGNATO (PRE-TIN)	OTTONE (BRASS)	282109-1
FINITURA / COLORE (FINISH / COLOUR)	MATERIALE (MATERIAL)	NUMERO (PART NUMBER)

RELEASED FOR PUBLICATION

ALL RIGHTS RESERVED.

THIS DRAWING IS UNPUBLISHED.

© COPYRIGHT - By -

DIMENSIONS:  
mm

DWN Bassano 09 NOV.90

MATERIAL -

FINISH -

TOLERANCES UNLESS OTHERWISE SPECIFIED:

CHK BERTINI 09 NOV.90

APVD A.BRUNI 09 NOV.90

PRODUCT SPEC -

APPLICATION SPEC -

WEIGHT -



TE Connectivity

NAME MINI MIC SRS TAB CONTACT

SIZE	CAGE CODE	DRAWING NO	RESTRICTED TO
A4	00779	C-282109	-

CUSTOMER DRAWING

SCALE 5:1 SHEET 1 OF 1 REV E6

# Mouser Electronics

Authorized Distributor

Click to View Pricing, Inventory, Delivery & Lifecycle Information:

[TE Connectivity:](#)

[282109-1](#)