

北京(Beijing) 010-68008 911 进口固态继电器经销商 www.shuntu.net
 广东省深圳 0755-83656701 山东 美国快达固态继电器在线查询
www.Omrons.com.cn 固态继电器说明书 PDF



面板安装固态继电器 SSR 进口固态继电器

SCHNEIDER 施耐德品牌 SSR 固态继电器品牌, 世界上首创固态继电器品牌

HI2D4825 HI2D4825-10 HI2D4850 HI2D4850-10 HI2D4875 HI2D4875-10 HI2D4890
 HI2D4890-10 HI2D48125 HI2D48125-10 HI2WD4825 HI2WD4825-10 HI2WD4850
 HI2WD4850-10 HI2WD4875 HI2WD4875-10 HI2WD4890 HI2WD4890-10 HI2WD48125

型号	控制电压	最大负载电流	工作电压 线性电压范围
HI2D4825	4-32 VDC	25 Amps	48-530 VAC
HI2D4825-10	4-32 VDC	25 Amps	48-530 VAC
HI2D4850	4-32 VDC	50 Amps	48-530 VAC
HI2D4850-10	4-32 VDC	50 Amps	48-530 VAC
HI2D4875	4-32 VDC	75 Amps	48-530 VAC
HI2D4875-10	4-32 VDC	75 Amps	48-530 VAC
HI2D4890	4-32 VDC	90 Amps	48-530 VAC
HI2D4890-10	4-32 VDC	90 Amps	48-530 VAC
HI2D48125	4-32 VDC	125 Amps	48-530 VAC
HI2D48125-10	4-32 VDC	125 Amps	48-530 VAC
HI2WD4825	4-32 VDC	25 Amps	48-660 VAC
HI2WD4825-10	4-32 VDC	25 Amps	48-660 VAC
HI2WD4850	4-32 VDC	50 Amps	48-660 VAC
HI2WD4850-10	4-32 VDC	50 Amps	48-660 VAC
HI2WD4875	4-32 VDC	75 Amps	48-660 VAC
HI2WD4875-10	4-32 VDC	75 Amps	48-660 VAC
HI2WD4890	4-32 VDC	90 Amps	48-660 VAC
HI2WD4890-10	4-32 VDC	90 Amps	48-660 VAC
HI2WD48125	4-32 VDC	125 Amps	48-660 VAC
HI2WD48125-10	4-32 VDC	125 Amps	48-660 VAC
HI2WD48125-10			

快达 Crydom 继电器 美国快达固态继电器 快达继电器 PDF 说明书

固态继电器原理 什么是固态继电器 UL 认证固态继电器 直流固态继电器

VDE 认证固态继电器资料 CE 认证固态继电器型号 固态继电器交流 SSR 固态继电器 固态继电器价格 欧姆龙固态继电器 三相固态继电器 SSR 固态继电器型号:

HI2D4825; HI2D4825-10; HI2D4825D; HI2D4840D; HI2D4840D-10; HI2D4850; HI2D4850-10;
 HI2D4875; HI2D4875-10; HI2D4890; HI2D4890-10; HI2WD48; HI2WD48110; HI2WD48110-10;
 12WD48110F; HI2WD48110F-10; HI2WD48110FG; HI2WD48110FG-10; HI2WD48110FGH;
 HI2WD48110FGH-10; HI2WD48110FH; HI2WD48110FH-10; HI2WD48110FP; HI2WD48110FP-10;

北京(Beijing) 010-68008 911 进口固态继电器经销商 www.shuntu.net

广东省深圳 0755-83656701 山东 美国快达固态继电器在线查询

www.Omrons.com.cn

固态继电器说明书 PDF

H12WD48110FPG; H12WD48110FPG-10; H12WD48110FPGH; H12WD48110FPGH-10;
H12WD48110FPH; H12WD48110FPH-10; H12WD48110G; H12WD48110G-10; H12WD48110GH;
H12WD48110GH-10; H12WD48110H; H12WD48110H-10; H12WD48110P; H12WD48110P-10;
H12WD48110PG; H12WD48110PG-10; H12WD48110PGH; H12WD48110PGH-10; H12WD48110PH;
H12WD48110PH-10; H12WD48125; H12WD48125-10; H12WD48125F; H12WD48125F-10;
H12WD48125FG; H12WD48125FG-10; H12WD48125FGH; H12WD48125FGH-10; H12WD48125FH;
H12WD48125FH-10; H12WD48125FP; H12WD48125FP-10; H12WD48125FPG; H12WD48125FPG-10;
H12WD48125FPGH; H12WD48125FPGH-10; H12WD48125FPH; H12WD48125FPH-10; H12WD48125G;
H12WD48125G-10; H12WD48125GH; H12WD48125GH-10; H12WD48125H; H12WD48125H-10;
H12WD48125P; H12WD48125P-10; H12WD48125PG; H12WD48125PG-10; H12WD48125PGH;
H12WD48125PGH-10; H12WD48125PH; H12WD48125PH-10; H12WD4825; H12WD4825-10;
H12WD4825F; H12WD4825F-10; H12WD4825FG; H12WD4825FG-10; H12WD4825FGH;
H12WD4825FGH-10; H12WD4825FH; H12WD4825FH-10; H12WD4825FP; H12WD4825FP-10;
H12WD4825FPG; H12WD4825FPG-10; H12WD4825FPGH; H12WD4825FPGH-10; H12WD4825FPH;
H12WD4825FPH-10; H12WD4825G; H12WD4825G-10; H12WD4825GH; H12WD4825GH-10;
H12WD4825H; H12WD4825H-10; H12WD4825P; H12WD4825P-10; H12WD4825PG;
H12WD4825PG-10; H12WD4825PGH; H12WD4825PGH-10; H12WD4825PH; H12WD4825PH-10;
H12WD4850; H12WD4850-10; H12WD4850F; H12WD4850F-10; H12WD4850FG; H12WD4850FG-10;
H12WD4850FGH; H12WD4850FGH-10; H12WD4850FH; H12WD4850FH-10; H12WD4850FP;
H12WD4850FP-10; H12WD4850FPG; H12WD4850FPG-10; H12WD4850FPGH; H12WD4850FPGH-10;
H12WD4850FPH; H12WD4850FPH-10; H12WD4850G; H12WD4850G-10; H12WD4850GH;
H12WD4850GH-10; H12WD4850H; H12WD4850H-10; H12WD4850P; H12WD4850P-10;
H12WD4850PG; H12WD4850PG-10; H12WD4850PGH; H12WD4850PGH-10; H12WD4850PH;
H12WD4850PH-10; H12WD4875; H12WD4875-10; H12WD4875F; H12WD4875F-10; H12WD4875FG;
H12WD4875FG-10; H12WD4875FGH; H12WD4875FGH-10; H12WD4875FH; H12WD4875FH-10;
H12WD4875FP; H12WD4875FP-10; H12WD4875FPG; H12WD4875FPG-10; H12WD4875FPGH;
H12WD4875FPGH-10; H12WD4875FPH; H12WD4875FPH-10; H12WD4875G; H12WD4875G-10;
H12WD4875GH; H12WD4875GH-10; H12WD4875H; H12WD4875H-10; H12WD4875P;
H12WD4875P-10; H12WD4875PG; H12WD4875PG-10; H12WD4875PGH; H12WD4875PGH-10;
H12WD4875PH; H12WD4875PH-10; H12WD4890; H12WD4890-10; H12WD4890F; H12WD4890F-10;
H12WD4890FG; H12WD4890FG-10; H12WD4890FGH; H12WD4890FGH-10; H12WD4890FH;
H12WD4890FH-10; H12WD4890FP; H12WD4890FP-10; H12WD4890FPG; H12WD4890FPG-10;
H12WD4890FPGH; H12WD4890FPGH-10; H12WD4890FPH; H12WD4890FPH-10; H12WD4890G;
H12WD4890G-10; H12WD4890GH; H12WD4890GH-10; H12WD4890H; H12WD4890H-10;
H12WD4890P; H12WD4890P-10; H12WD4890PG; H12WD4890PG-10; H12WD4890PGH;
H12WD4890PGH-10; H12WD4890PH; H12WD4890PH-10; HI2D4825; HI2D4825-10; HI2D4825D;
HI2D4840D; HI2D4840D-10; HI2D4850; HI2D4850-10; HI2D4875; HI2D4875-10; HI2D4890;
HI2D4890-10; HI2WD48; HI2WD48110; HI2WD48110-10; HI2WD48110F; HI2WD48110F-10;
HI2WD48110FG; HI2WD48110FG-10; HI2WD48110FGH; HI2WD48110FGH-10;
HI2WD48110FH; HI2WD48110FH-10; HI2WD48110FP; HI2WD48110FP-10;
HI2WD48110FPG; HI2WD48110FPG-10; HI2WD48110FPGH; HI2WD48110FPGH-10;

北京(Beijing) 010-68008 911 进口固态继电器经销商 www.shuntu.net

广东省深圳 0755-83656701 山东 美国快达固态继电器在线查询

www.Omrons.com.cn

固态继电器说明书 PDF

HI2WD48110FPH; HI2WD48110FPH-10; HI2WD48110G; HI2WD48110G-10;
HI2WD48110GH; HI2WD48110GH-10; HI2WD48110H; HI2WD48110H-10;
HI2WD48110P; HI2WD48110P-10; HI2WD48110PG; HI2WD48110PG-10; HI2WD48110PGH;
HI2WD48110PGH-10; HI2WD48110PH; HI2WD48110PH-10; HI2WD48125; HI2WD48125-10;
HI2WD48125F; HI2WD48125F-10; HI2WD48125FG; HI2WD48125FG-10; HI2WD48125FGH;
HI2WD48125FGH-10; HI2WD48125FH; HI2WD48125FH-10; HI2WD48125FP;
HI2WD48125FP-10; HI2WD48125FPG; HI2WD48125FPG-10; HI2WD48125FPGH;
HI2WD48125FPGH-10; HI2WD48125FPH; HI2WD48125FPH-10; HI2WD48125G;
HI2WD48125G-10; HI2WD48125GH; HI2WD48125GH-10; HI2WD48125H;
HI2WD48125H-10; HI2WD48125P; HI2WD48125P-10; HI2WD48125PG; HI2WD48125PG-10;
HI2WD48125PGH; HI2WD48125PGH-10; HI2WD48125PH; HI2WD48125PH-10;
HI2WD4825; HI2WD4825-10; HI2WD4825F; HI2WD4825F-10; HI2WD4825FG;
HI2WD4825FG-10; HI2WD4825FGH; HI2WD4825FGH-10; HI2WD4825FH;
HI2WD4825FH-10; HI2WD4825FP; HI2WD4825FP-10; HI2WD4825FPG;
HI2WD4825FPG-10; HI2WD4825FPGH; HI2WD4825FPGH-10; HI2WD4825FPH;
HI2WD4825FPH-10; HI2WD4825G; HI2WD4825G-10; HI2WD4825GH; HI2WD4825GH-10;
HI2WD4825H; HI2WD4825H-10; HI2WD4825P; HI2WD4825P-10; HI2WD4825PG;
HI2WD4825PG-10; HI2WD4825PGH; HI2WD4825PGH-10; HI2WD4825PH;
HI2WD4825PH-10; HI2WD4850; HI2WD4850-10; HI2WD4850F; HI2WD4850F-10;
HI2WD4850FG; HI2WD4850FG-10; HI2WD4850FGH; HI2WD4850FGH-10;
HI2WD4850FH; HI2WD4850FH-10; HI2WD4850FP; HI2WD4850FP-10;
HI2WD4850FPG; HI2WD4850FPG-10; HI2WD4850FPGH; HI2WD4850FPGH-10;
HI2WD4850FPH; HI2WD4850FPH-10; HI2WD4850G; HI2WD4850G-10;
HI2WD4850GH; HI2WD4850GH-10; HI2WD4850H; HI2WD4850H-10;
HI2WD4850P; HI2WD4850P-10; HI2WD4850PG; HI2WD4850PG-10;
HI2WD4850PGH; HI2WD4850PGH-10; HI2WD4850PH; HI2WD4850PH-10;
HI2WD4875; HI2WD4875-10; HI2WD4875F; HI2WD4875F-10; HI2WD4875FG;
HI2WD4875FG-10; HI2WD4875FGH; HI2WD4875FGH-10; HI2WD4875FH;
HI2WD4875FH-10; HI2WD4875FP; HI2WD4875FP-10; HI2WD4875FPG;
HI2WD4875FPG-10; HI2WD4875FPGH; HI2WD4875FPGH-10; HI2WD4875FPH;
HI2WD4875FPH-10; HI2WD4875G; HI2WD4875G-10; HI2WD4875GH; HI2WD4875GH-10;
HI2WD4875H; HI2WD4875H-10; HI2WD4875P; HI2WD4875P-10; HI2WD4875PG;
HI2WD4875PG-10; HI2WD4875PGH; HI2WD4875PGH-10; HI2WD4875PH;
HI2WD4875PH-10; HI2WD4890; HI2WD4890-10; HI2WD4890F; HI2WD4890F-10;
HI2WD4890FG; HI2WD4890FG-10; HI2WD4890FGH; HI2WD4890FGH-10;
HI2WD4890FH; HI2WD4890FH-10; HI2WD4890FP; HI2WD4890FP-10;
HI2WD4890FPG; HI2WD4890FPG-10; HI2WD4890FPGH; HI2WD4890FPGH-10;
HI2WD4890FPH; HI2WD4890FPH-10; HI2WD4890G; HI2WD4890G-10;
HI2WD4890GH; HI2WD4890GH-10; HI2WD4890H; HI2WD4890H-10;
HI2WD4890P; HI2WD4890P-10; HI2WD4890PG; HI2WD4890PG-10;
HI2WD4890PGH; HI2WD4890PGH-10; HI2WD4890PH; HI2WD4890PH-10

H12 WD Series

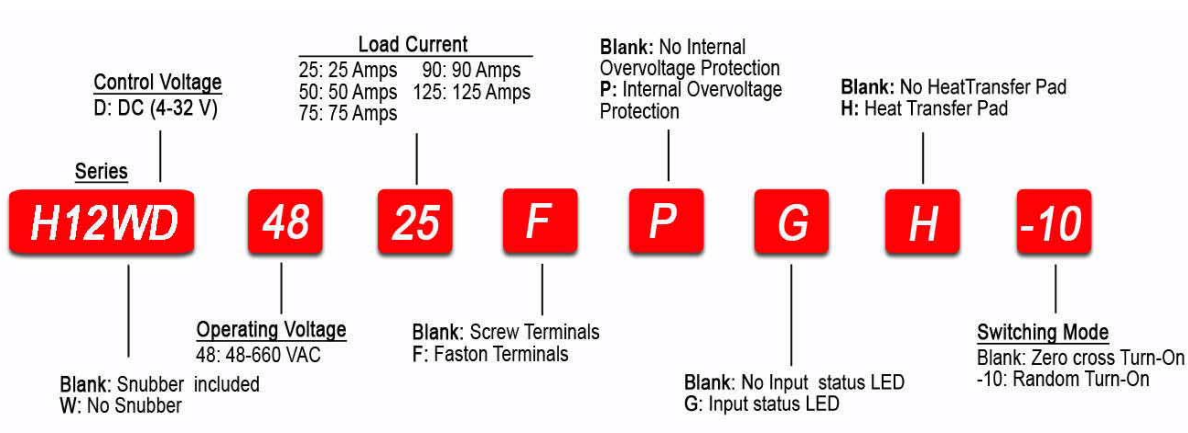


- Ratings from 25A to 125A @ 48-660 V AC
- SCR output for heavy industrial loads
- DC control
- Zero-crossing (resistive loads) or random-fire (inductive loads) output

PRODUCT SELECTION

Control Voltage	25A	50A	75A	90A	125A (6)
4-32 Vdc	H12WD4825	H12WD4850	H12WD4875	H12WD4890	H12WD48125(6)

AVAILABLE OPTIONS



OUTPUT SPECIFICATIONS (1)

Description	25A	50A	75A	90A	125A (6)
Operating Voltage (47-63Hz) [Vrms]	48-660	48-660	48-660	48-660	48-660
Transient Overvoltage [Vpk]	1200	1200	1200	1200	1200
Maximum Off-State Leakage Current @ Rated Voltage [mA rms]	1.0	1.0	1.0	1.0	1.0
Minimum Off-State dv/dt @ Maximum Rated Voltage [V/μsec] (2)	500	500	500	500	500
Maximum Load Current (3) [Arms]	25	50	75	90	125
Minimum Load Current [mA rms]	150	150	150	150	150
Maximum 1 Cycle Surge Current (50/60Hz) [A pk]	250/239	597/625	954/1000	1145/1200	1670/1750
Maximum On-State Voltage Drop @ Rated Current [V pk]	1.6	1.6	1.6	1.6	1.7
Thermal Resistance Junction to Case (Rjc) [°C/W]	1.02	0.63	0.31	0.28	0.22
Maximum 1/2 Cycle I ² t for Fusing (50/60Hz) [A ² sec]	285/259	1779/1621	4555/4150	6560/5976	13950/12709
Minimum Power Factor (with Maximum Load)	0.5	0.5	0.5	0.5	0.5

INPUT SPECIFICATIONS (1)

Description	DC Control
Control Voltage Range	4-32 VDC
Maximum Turn-On Voltage	4.0 VDC
Minimum Turn-Off Voltage	1.0 VDC
Typical Input Current	15 mADC (5)
Nominal Input Impedance	See Note 5
Maximum Turn-On Time [msec] (4)	1/2 Cycle
Maximum Turn-Off Time [msec]	1/2 Cycle

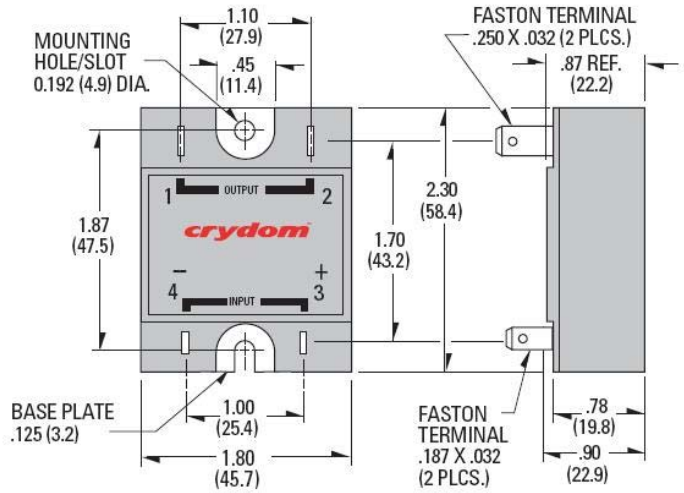
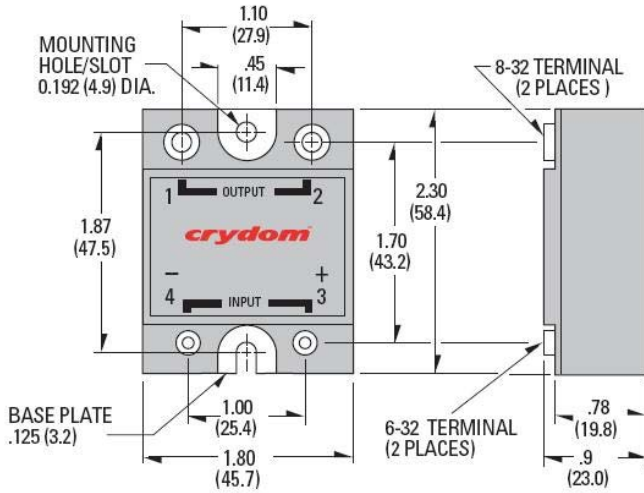
GENERAL SPECIFICATIONS

Description	Parameters
Dielectric Strength, Input/Output/Base (50/60Hz)	4000 Vrms
Minimum Insulation Resistance (@ 500 V DC)	10 ⁹ Ohm
Maximum Capacitance, Input/Output	8 pF
Ambient Operating Temperature Range	-40 to 80 °C
Ambient Storage Temperature Range	-40 to 125 °C
Weight (typical)	3 oz (86.5 g)
Encapsulation	Thermally conductive Epoxy
Terminals	Screw and saddle Clamps Furnished, Unmounted
Recommended Terminal Screw Torque Range:	6-32 Screws - 10 in./lbs. 8-32 & 10-32 Screws - 20 in. lbs. (Screws dry without grease)
Fastons:	Single pair (up to 25A) Double pair* (50A model only) Caution: User must connect to both pairs

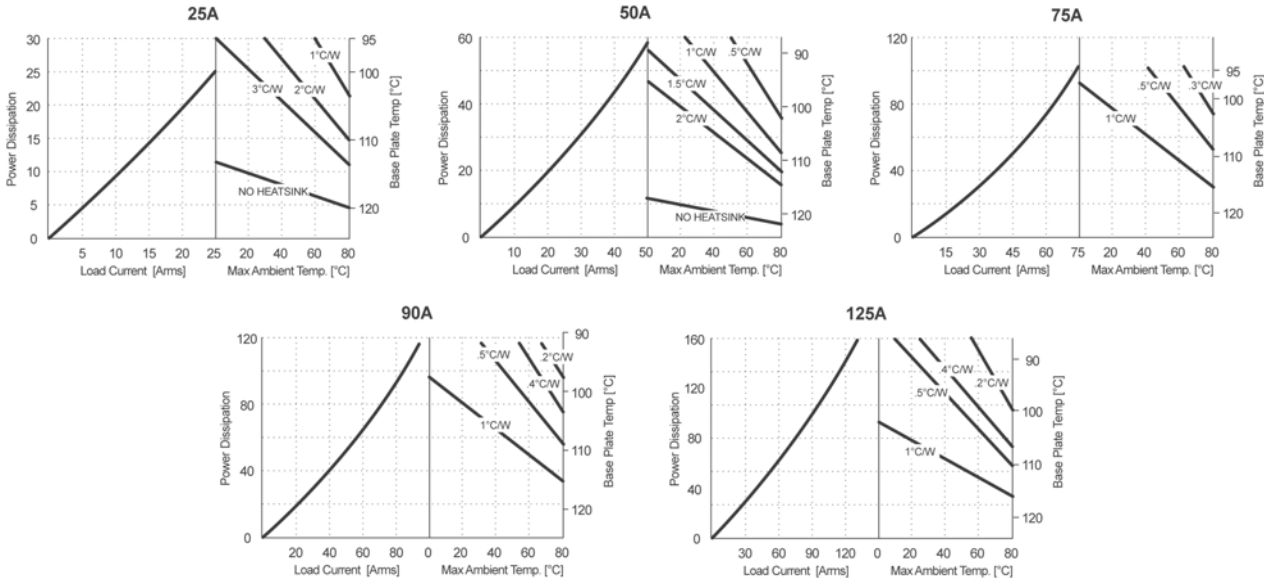
GENERAL NOTES

- 1) All parameters at 25°C and per section unless otherwise specified.
- 2) Off-State dv/dt test method per EIA/NARM standard RS-443, paragraph 13.11.1
- 3) Heat sinking required, for derating curves see page 2.
- 4) Turn-on time for DC control random turn-on versions is 0.02 msec
- 5) Input circuitry version incorporates active current limiter.
- 6) CE Compliant only.

MECHANICAL SPECIFICATIONS



THERMAL DERATE INFORMATION



AGENCY APPROVALS



E116949 (25, 50, 75 and 90A) E116950 (25 and 125A)



LR81689



10143 UG

