

## DRV8848 Dual H-Bridge Motor Driver

### 1 Features

- Dual H-Bridge Motor Driver
  - Single/Dual Brushed DC
  - Stepper
- PWM Control Interface
- Optional Current Regulation With 20- $\mu$ s Fixed Off-Time
- High Output Current per H-Bridge
  - 2-A Maximum Driver Current at 12 V and  $T_A = 25^\circ\text{C}$
  - Parallel Mode Available Capable of 4-A Maximum Driver Current at 12 V and  $T_A = 25^\circ\text{C}$
- 4- to 18-V Operating Supply Voltage Range
- Low-Current 3- $\mu$ A Sleep Mode
- Thermally-Enhanced Surface Mount Package
- Protection Features
  - VM Undervoltage Lockout (UVLO)
  - Overcurrent Protection (OCP)
  - Thermal Shutdown (TSD)
  - Fault Condition Indication Pin (nFAULT)

### 2 Applications

- Appliances
- General Brushed and Stepper Motors
- Printers

### 3 Description

The DRV8848 provides a dual H-bridge motor driver for home appliances and other mechatronic applications. The device can be used to drive one or two DC motors, a bipolar stepper motor, or other loads. A simple PWM interface allows easy interfacing to controller circuits.

The output block of each H-bridge driver consists of N-channel and P-channel power MOSFETs configured as full H-bridges to drive the motor windings. Each H-bridge includes circuitry to regulate the winding current using a fixed off-time chopping scheme. The DRV8848 is capable of driving up to 2 A of current from each output or 4 A of current in parallel mode (with proper heat sinking, at 12 V and  $T_A = 25^\circ\text{C}$ ).

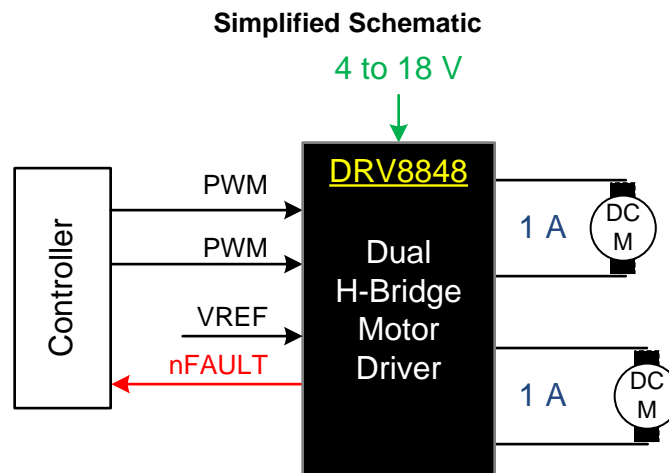
A low-power sleep mode is provided, which shuts down internal circuitry to achieve very-low quiescent current draw. This sleep mode can be set using a dedicated nSLEEP pin.

Internal protection functions are provided for UVLO, OCP, short-circuit protection, and overtemperature. Fault conditions are indicated by a nFAULT pin.

#### Device Information<sup>(1)</sup>

PART NUMBER	PACKAGE	BODY SIZE (NOM)
DRV8848	HTSSOP (16)	5.00 mm x 6.40 mm

(1) For all available packages, see the orderable addendum at the end of the data sheet.



## Table of Contents

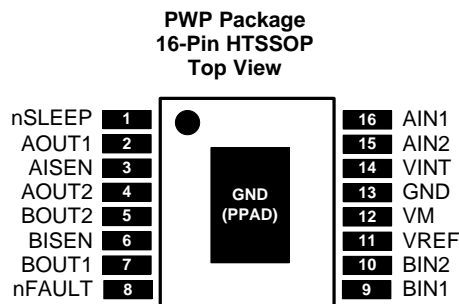
<b>1 Features</b> .....	<b>1</b>	7.3 Feature Description.....	<b>9</b>
<b>2 Applications</b> .....	<b>1</b>	7.4 Device Functional Modes.....	<b>14</b>
<b>3 Description</b> .....	<b>1</b>	<b>8 Application and Implementation</b> .....	<b>15</b>
<b>4 Revision History</b> .....	<b>2</b>	8.1 Application Information.....	<b>15</b>
<b>5 Pin Configuration and Functions</b> .....	<b>3</b>	8.2 Typical Application .....	<b>15</b>
<b>6 Specifications</b> .....	<b>4</b>	<b>9 Power Supply Recommendations</b> .....	<b>17</b>
6.1 Absolute Maximum Ratings .....	<b>4</b>	9.1 Bulk Capacitance Sizing .....	<b>17</b>
6.2 ESD Ratings.....	<b>4</b>	<b>10 Layout</b> .....	<b>18</b>
6.3 Recommended Operating Conditions.....	<b>4</b>	10.1 Layout Guidelines .....	<b>18</b>
6.4 Thermal Information .....	<b>4</b>	10.2 Layout Example .....	<b>18</b>
6.5 Electrical Characteristics.....	<b>5</b>	<b>11 Device and Documentation Support</b> .....	<b>19</b>
6.6 Timing Requirements .....	<b>6</b>	11.1 Community Resources.....	<b>19</b>
6.7 Typical Characteristics .....	<b>7</b>	11.2 Trademarks .....	<b>19</b>
<b>7 Detailed Description</b> .....	<b>8</b>	11.3 Electrostatic Discharge Caution.....	<b>19</b>
7.1 Overview .....	<b>8</b>	11.4 Glossary .....	<b>19</b>
7.2 Functional Block Diagram .....	<b>9</b>	<b>12 Mechanical, Packaging, and Orderable Information</b> .....	<b>19</b>

## 4 Revision History

NOTE: Page numbers for previous revisions may differ from page numbers in the current version.

<b>Changes from Original (October 2014) to Revision A</b>	<b>Page</b>
• Updated unit for $R_{DS(ON)}$ .....	<b>5</b>
• Corrected lines for <a href="#">Figure 6</a> .....	<b>10</b>
• Added <a href="#">Community Resources</a> .....	<b>19</b>

## 5 Pin Configuration and Functions



### Pin Functions

PIN		TYPE	DESCRIPTION	
NAME	NO.			
AIN1	16	I	Bridge A input 1	Controls AOUT1; tri-level input
AIN2	15	I	Bridge A input 2	Controls AOUT2; tri-level input
AISEN	3	O	Winding A sense	Connect to current sense resistor for bridge A, or GND if current regulation is not required
AOUT1	2	O	Winding A output	
AOUT2	4			
BIN1	9	I	Bridge B input 1	Controls BOUT1; internal pulldown
BIN2	10	I	Bridge B input 2	Controls BOUT2; internal pulldown
BISEN	6	O	Winding B sense	Connect to current sense resistor for bridge A, or GND if current regulation is not required
BOUT1	7	O	Winding B output	
BOUT2	5			
GND	13	PWR	Device ground	Both the GND pin and device PowerPAD must be connected to ground
	PPAD			
nFAULT	8	OD	Fault indication pin	Pulled logic low with fault condition; open-drain output requires external pullup
nSLEEP	1	I	Sleep mode input	Logic high to enable device; logic low to enter low-power sleep mode; internal pulldown
VINT	14	—	Internal regulator	Internal supply voltage; bypass to GND with 2.2- $\mu$ F, 6.3-V capacitor
VM	12	PWR	Power supply	Connect to motor power supply; bypass to GND with a 0.1- and 10- $\mu$ F (minimum) ceramic capacitor rated for VM
VREF	11	I	Full-scale current reference input	Voltage on this pin sets the full scale chopping current; short to VINT if not supplying an external reference voltage

### External Components

COMPONENT	PIN 1	PIN 2	RECOMMENDED
$C_{VM}$	VM	GND	10- $\mu$ F (minimum) ceramic capacitor rated for VM
$C_{VM}$	VM	GND	0.1- $\mu$ F ceramic capacitor rated for VM
$C_{VINT}$	VINT	GND	6.3-V, 2.2- $\mu$ F ceramic capacitor
$R_{nFAULT}$	VCC <sup>(1)</sup>	nFAULT	>1 k $\Omega$
$R_{AISEN}$	AISEN	GND	Sense resistor, see <a href="#">Typical Application</a> for sizing
$R_{BISEN}$	BISEN	GND	Sense resistor, see <a href="#">Typical Application</a> for sizing

(1) VCC is not a pin on the DRV8848, but a VCC supply voltage pullup is required for open-drain output nFAULT; nFAULT may be pulled up to VINT

## 6 Specifications

### 6.1 Absolute Maximum Ratings

over operating free-air temperature range referenced with respect to GND (unless otherwise noted) <sup>(1)</sup>

	MIN	MAX	UNIT
Power supply voltage (VM)	-0.3	20	V
Power supply voltage ramp rate (VM)	0	2	V/μs
Internal regulator voltage (VINT)	-0.3	3.6	V
Analog input pin voltage (VREF)	-0.3	3.6	V
Control pin voltage (AIN1, AIN2, BIN1, BIN2, nSLEEP, nFAULT)	-0.3	7	V
Continuous phase node pin voltage (AOUT1, AOUT2, BOUT1, BOUT2)	-0.3	V <sub>VM</sub> + 0.6	V
Continuous shunt amplifier input pin voltage (AISEN, BISEN) <sup>(2)</sup>	-0.6	0.6	V
Peak drive current (AOUT1, AOUT2, BOUT1, BOUT2, AISEN, BISEN)	Internally limited		A
T <sub>J</sub> Operating junction temperature	-40	150	°C
T <sub>stg</sub> Storage temperature	-65	150	°C

(1) Stresses beyond those listed under *Absolute Maximum Ratings* may cause permanent damage to the device. These are stress ratings only, which do not imply functional operation of the device at these or any other conditions beyond those indicated under *Recommended Operating Conditions*. Exposure to absolute-maximum-rated conditions for extended periods may affect device reliability.

(2) Transients of ±1 V for less than 25 ns are acceptable.

### 6.2 ESD Ratings

	VALUE	UNIT
V <sub>(ESD)</sub> Electrostatic discharge	Human body model (HBM), per ANSI/ESDA/JEDEC JS-001, all pins <sup>(1)</sup>	±4000
	Charged device model (CDM), per JEDEC specification JESD22-C101, all pins <sup>(2)</sup>	±1500

(1) JEDEC document JEP155 states that 500-V HBM allows safe manufacturing with a standard ESD control process.

(2) JEDEC document JEP157 states that 250-V CDM allows safe manufacturing with a standard ESD control process.

### 6.3 Recommended Operating Conditions

	MIN	MAX	UNIT
V <sub>VM</sub> Power supply voltage range <sup>(1)</sup>	4	18	V
V <sub>VREF</sub> Reference rms voltage range <sup>(2)</sup>	1	3.3	V
f <sub>PWM</sub> Applied STEP signal	0	250	kHz
I <sub>VINT</sub> VINT external load current		1	mA
I <sub>rms</sub> Motor rms current per H-bridge <sup>(3)</sup>	0	1	A
T <sub>A</sub> Operating ambient temperature	-40	85	°C

(1) Note that R<sub>DS(ON)</sub> increases and maximum output current is reduced at VM supply voltages below 5 V.

(2) Operational at VREF between 0 and 1 V, but accuracy is degraded.

(3) Power dissipation and thermal limits must be observed.

### 6.4 Thermal Information

THERMAL METRIC <sup>(1)</sup>	DRV8848		UNIT
	PWP (HTSSOP)		
	16 PINS		
R <sub>θJA</sub> Junction-to-ambient thermal resistance	40.3		°C/W
R <sub>θJC(top)</sub> Junction-to-case (top) thermal resistance	32.7		°C/W
R <sub>θJB</sub> Junction-to-board thermal resistance	28.7		°C/W
Ψ <sub>JT</sub> Junction-to-top characterization parameter	0.6		°C/W
Ψ <sub>JB</sub> Junction-to-board characterization parameter	11.4		°C/W
R <sub>θJC(bot)</sub> Junction-to-case (bottom) thermal resistance	4.7		°C/W

(1) For more information about traditional and new thermal metrics, see the *Semiconductor and IC Package Thermal Metrics* application report, [SPRA953](#).

## 6.5 Electrical Characteristics

T<sub>A</sub> = 25°C, over recommended operating conditions unless otherwise noted

PARAMETER		TEST CONDITIONS	MIN	TYP	MAX	UNIT
<b>POWER SUPPLIES (VM, VINT)</b>						
V <sub>VM</sub>	VM operating voltage		4		18	V
I <sub>VM</sub>	VM operating supply current	V <sub>VM</sub> = 12 V, excluding winding current, nSLEEP = 1	2.5	3.8	5.5	mA
I <sub>VMQ</sub>	VM sleep mode supply current	V <sub>VM</sub> = 12 V, nSLEEP = 0	0.5	1.2	3	μA
t <sub>SLEEP</sub>	Sleep time	nSLEEP = 0 to sleep mode			1	ms
t <sub>WAKE</sub>	Wake time	nSLEEP = 1 to output transition			1	ms
t <sub>ON</sub>	Power-on time	V <sub>VM</sub> > V <sub>UVLO</sub> rising to output transition			1	ms
V <sub>INT</sub>	VINT voltage	V <sub>VM</sub> > 4 V, I <sub>OUT</sub> = 0 A to 1 mA	3.13	3.3	3.47	V
<b>LOGIC-LEVEL INPUTS (BIN1, BIN2, NSLEEP)</b>						
V <sub>IL</sub>	Input logic low voltage		0		0.7	V
V <sub>IH</sub>	Input logic high voltage		1.6		5.5	V
V <sub>HYS</sub>	Input logic hysteresis		100			mV
I <sub>IL</sub>	Input logic low current	V <sub>IN</sub> = 0 V	-1		1	μA
I <sub>IH</sub>	Input logic high current	V <sub>IN</sub> = 5 V	1		30	μA
R <sub>PD</sub>	Pulldown resistance	BIN1, BIN2 nSLEEP		200 500		kΩ
t <sub>DEG</sub>	Input deglitch time	AIN1 or AIN2 BIN1 or BIN2		400 200		ns
t <sub>PROP</sub>	Propagation delay	AIN1 or AIN2 edge to output change BIN1 or BIN2 edge to output change		800 400		ns
<b>TRI-LEVEL INPUTS (AIN1, AIN2)</b>						
V <sub>IL</sub>	Tri-level input logic low voltage		0		0.7	V
V <sub>IZ</sub>	Tri-level input Hi-Z voltage			1.1		V
V <sub>IH</sub>	Tri-level input logic high voltage		1.6		5.5	V
V <sub>HYS</sub>	Tri-level input hysteresis		100			mV
I <sub>IL</sub>	Tri-level input logic low current	V <sub>IN</sub> = 0 V	-30		-1	μA
I <sub>IH</sub>	Tri-level input logic high current	V <sub>IN</sub> = 5 V	1		30	μA
R <sub>PD</sub>	Tri-level pulldown resistance	To GND		170		kΩ
R <sub>PU</sub>	Tri-level pullup resistance	To VINT		340		kΩ
<b>CONTROL OUTPUTS (NFAULT)</b>						
V <sub>OL</sub>	Output logic low voltage	I <sub>O</sub> = 5 mA			0.5	V
I <sub>OH</sub>	Output logic high leakage	V <sub>O</sub> = 3.3 V	-1		1	μA
<b>MOTOR DRIVER OUTPUTS (AOUT1, AOUT2, BOUT1, BOUT2)</b>						
R <sub>DS(ON)</sub>	High-side FET on-resistance	V <sub>VM</sub> = 12 V, I = 0.5 A, T <sub>J</sub> = 25°C		550		mΩ
		V <sub>VM</sub> = 12 V, I = 0.5 A, T <sub>J</sub> = 85°C <sup>(1)</sup>		660		
R <sub>DS(ON)</sub>	Low-side FET on-resistance	V <sub>VM</sub> = 12 V, I = 0.5 A, T <sub>J</sub> = 25°C		350		mΩ
		V <sub>VM</sub> = 12 V, I = 0.5 A, T <sub>J</sub> = 85°C <sup>(1)</sup>		420		
I <sub>OFF</sub>	Off-state leakage current	V <sub>VM</sub> = 5 V, T <sub>J</sub> = 25°C	-1		1	μA
t <sub>RISE</sub>	Output rise time			60		ns
t <sub>FALL</sub>	Output fall time			60		ns
t <sub>DEAD</sub>	Output dead time	Internal dead time		200		ns
<b>PWM CURRENT CONTROL (VREF, AISEN, BISEN)</b>						
I <sub>REF</sub>	Externally applied VREF input current	V <sub>VREF</sub> = 1 to 3.3 V			1	μA
V <sub>TRIP</sub>	xISEN trip voltage	For 100% current step with V <sub>VREF</sub> = 3.3 V		500		mV

(1) Not tested in production; limits are based on characterization data

### Electrical Characteristics (continued)

T<sub>A</sub> = 25°C, over recommended operating conditions unless otherwise noted

PARAMETER	TEST CONDITIONS	MIN	TYP	MAX	UNIT	
t <sub>BLANK</sub>	Current sense blanking time		1.8		μs	
A <sub>ISENSE</sub>	Current sense amplifier gain	Reference only	6.6		V/V	
t <sub>OFF</sub>	Current control constant off time		20		μs	
<b>PROTECTION CIRCUITS</b>						
V <sub>UVLO</sub>	VM undervoltage lockout	V <sub>VM</sub> falling; UVLO report		2.9	V	
		V <sub>VM</sub> rising; UVLO recovery		3		
I <sub>OCP</sub>	Overcurrent protection trip level	2			A	
t <sub>DEG</sub>	Overcurrent deglitch time		2.8		μs	
t <sub>OCP</sub>	Overcurrent protection period		1.6		ms	
T <sub>TSD</sub> <sup>(1)</sup>	Thermal shutdown temperature	Die temperature T <sub>J</sub>	150	160	180	°C
T <sub>HYS</sub> <sup>(1)</sup>	Thermal shutdown hysteresis	Die temperature T <sub>J</sub>		50		°C

### 6.6 Timing Requirements

T<sub>A</sub> = 25°C, over recommended operating conditions unless otherwise noted

NO.		MIN	MAX	UNIT
1	t <sub>1</sub> Delay time, xIN1 to xOUT1	100	600	ns
2	t <sub>2</sub> Delay time, xIN2 to xOUT1	100	600	ns
3	t <sub>3</sub> Delay time, xIN1 to xOUT2	100	600	ns
4	t <sub>4</sub> Delay time, xIN2 to xOUT2	100	600	ns
5	t <sub>F</sub> Output rise time	50	150	ns
6	t <sub>R</sub> Output fall time	50	150	ns

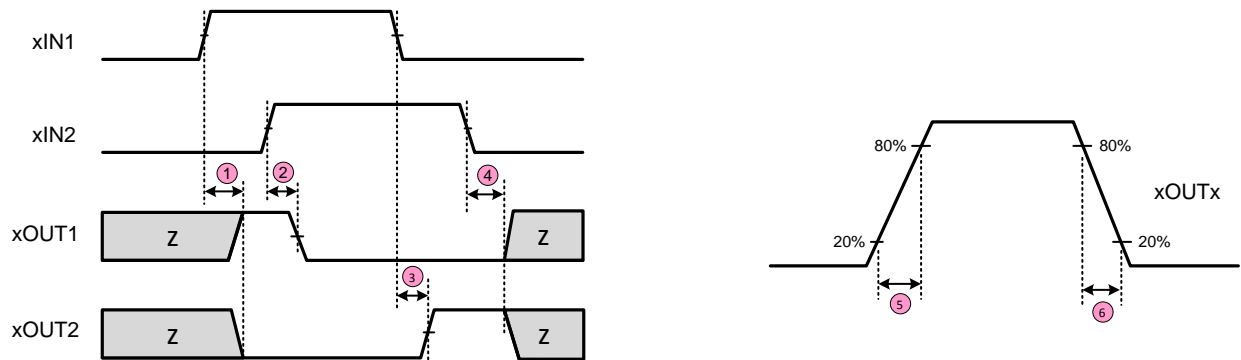


Figure 1. Timing Diagram

### 6.7 Typical Characteristics

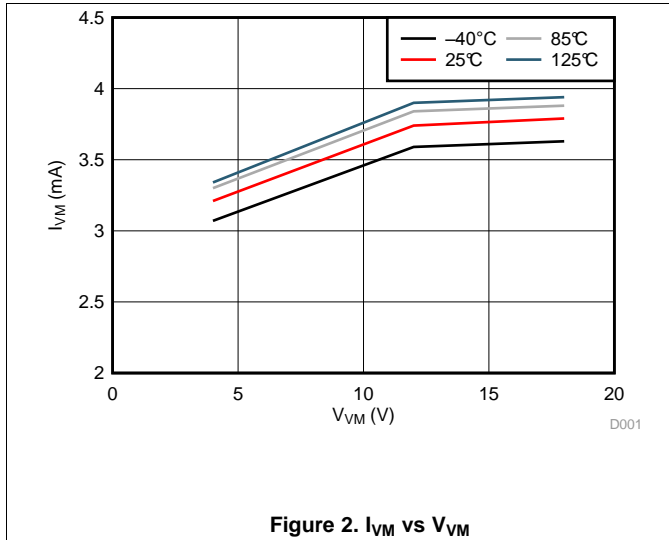


Figure 2. I<sub>VM</sub> vs V<sub>VM</sub>

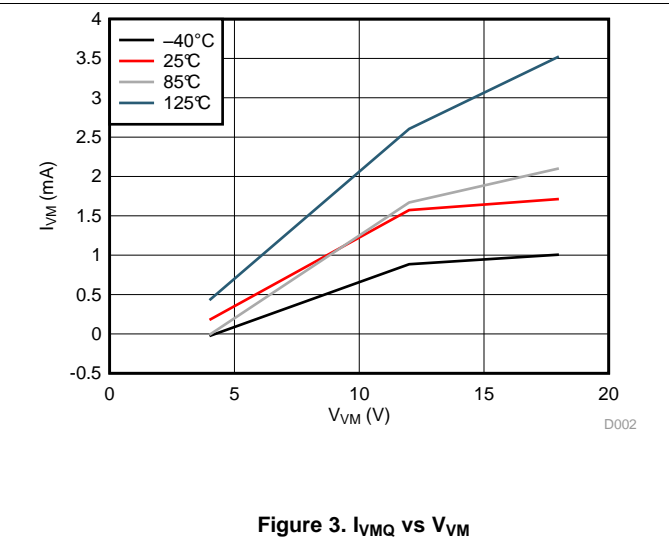


Figure 3. I<sub>VMQ</sub> vs V<sub>VM</sub>

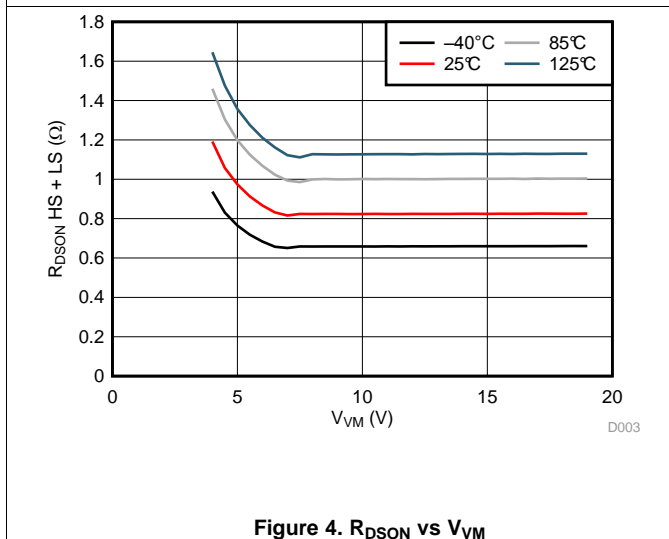


Figure 4. R<sub>DS(on)</sub> vs V<sub>VM</sub>

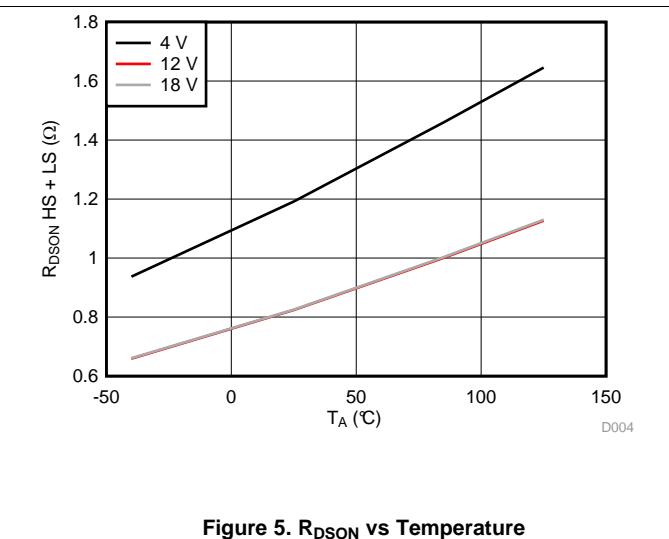


Figure 5. R<sub>DS(on)</sub> vs Temperature

## 7 Detailed Description

### 7.1 Overview

The DRV8848 is an integrated motor driver solution for two DC motors or a bipolar stepper motor. The device integrates two H-bridges that use NMOS low-side drivers and PMOS high-side drivers and current sense regulation circuitry. The DRV8848 can be powered with a supply range between 4 to 18 V and is capable of providing an output current to 1-A rms.

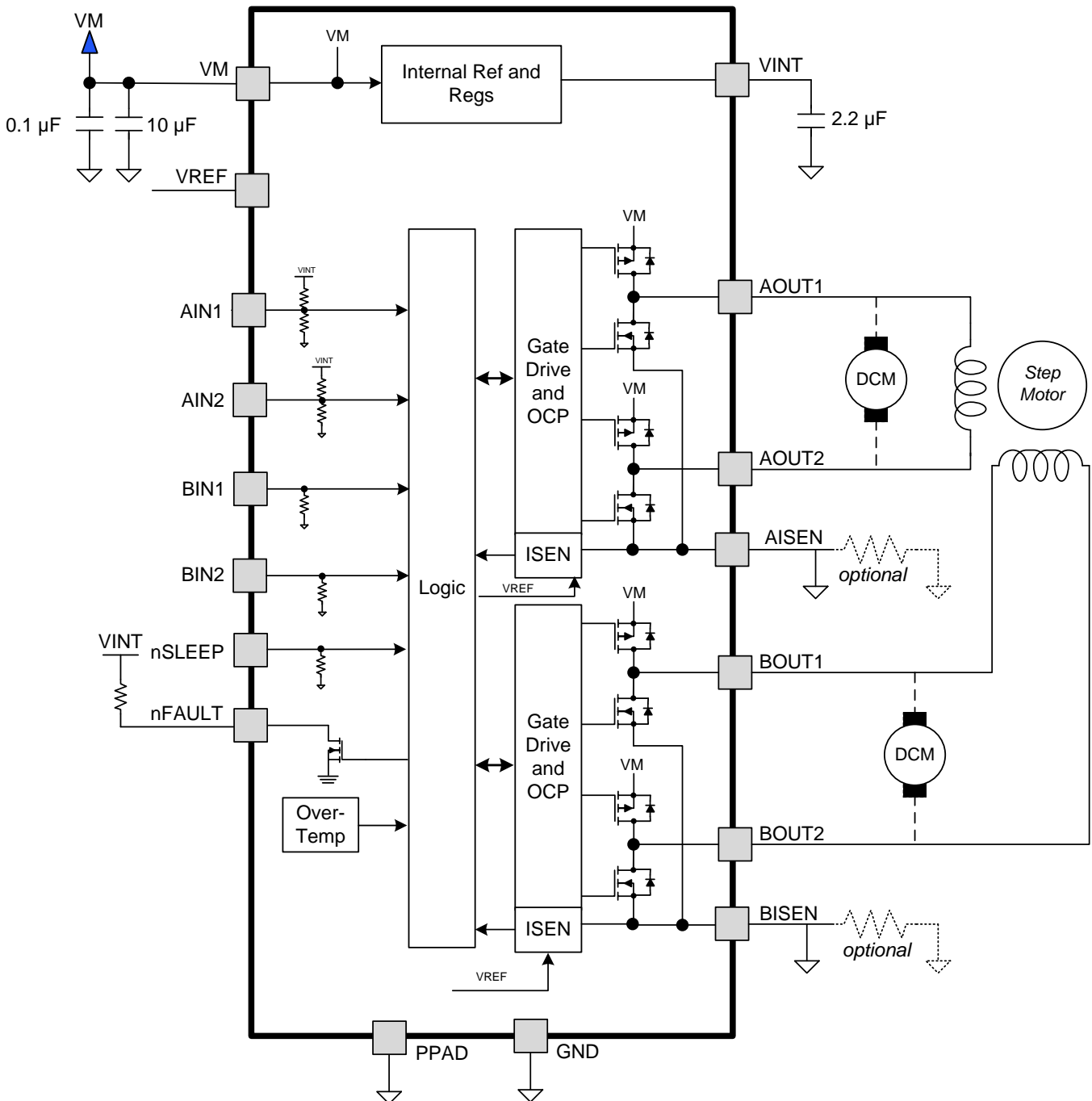
A simple PWM interface allows easy interfacing to the controller circuit.

The current regulation uses a fixed off-time ( $t_{OFF}$ ) PWM scheme. The current regulation trip point is controlled by the value of the sense resistor and the voltage applied to VREF.

A low-power sleep mode is included, which allows the system to save power when not driving the motor.



## 7.2 Functional Block Diagram



## 7.3 Feature Description

### 7.3.1 PWM Motor Drivers

DRV8848 contains two identical H-bridge motor drivers with current-control PWM circuitry. [Figure 6](#) shows a block diagram of the circuitry.

Feature Description (continued)

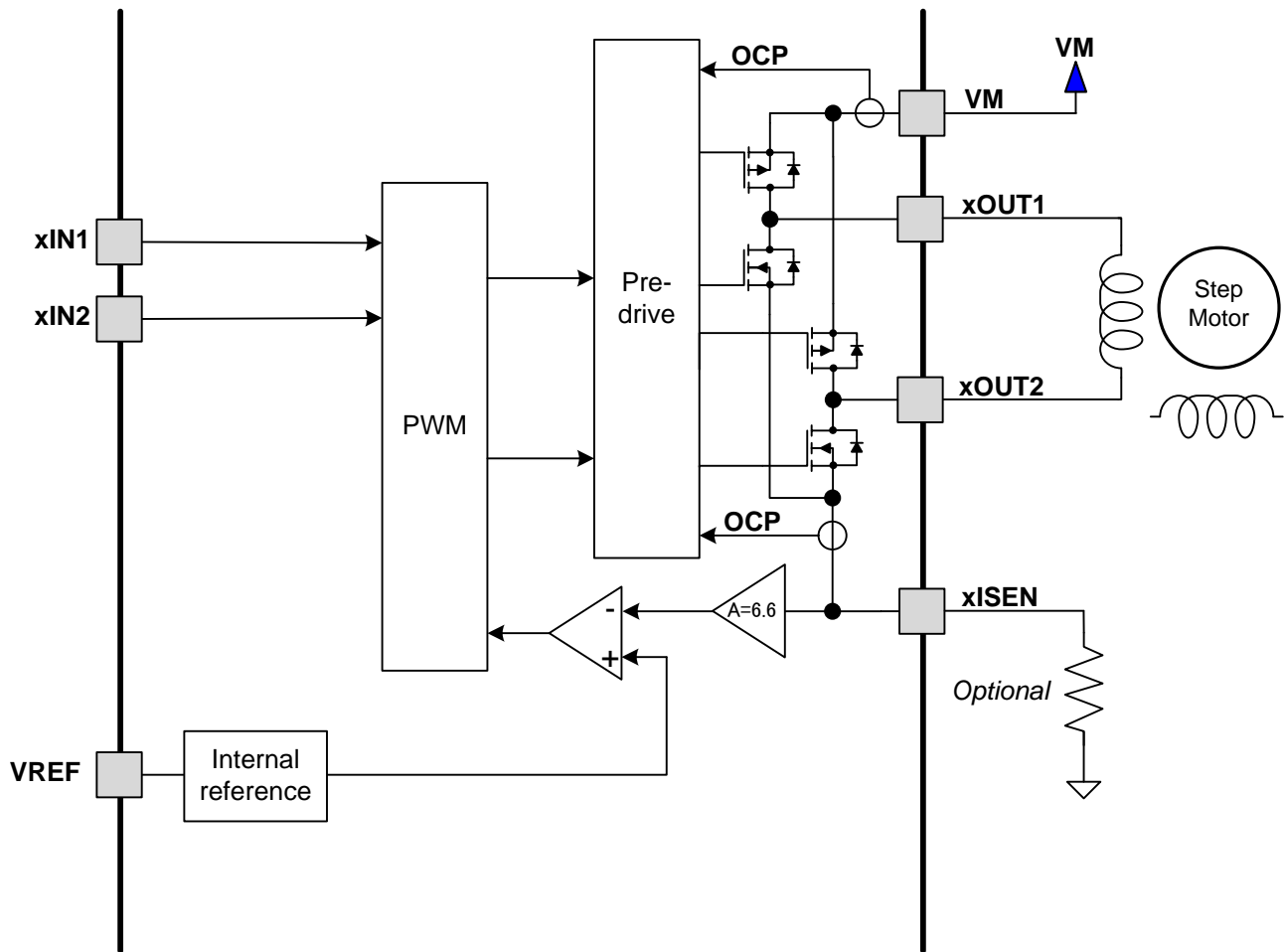


Figure 6. PWM Motor Driver Circuitry

7.3.2 Bridge Control

Table 1 shows the logic for the inputs xIN1 and xIN2.

Table 1. Bridge Control

xIN1	xIN2	xOUT1	xOUT2	Function (DC Motor)
0	0	Z	Z	Coast (fast decay)
0	1	L	H	Reverse
1	0	H	L	Forward
1	1	L	L	Brake (slow decay)

**NOTE**

Pins AIN1 and AIN2 are tri-level, so when they are left Hi-Z, they are not internally pulled to logic low. When AIN1 or AIN2 are set to Hi-Z and not in parallel mode, the output driver maintains the previous state.

### 7.3.3 Parallel Operation

The two drivers can be used in parallel to deliver twice the current to a single motor. To enter parallel mode, AIN1 and AIN2 must be left Hi-Z during power-up or when exiting sleep mode (nSLEEP toggling from 0 to 1). BIN1 and BIN2 are used to control the drivers. Tie AISEN and BISEN to a single sense resistor if current control is desired. To exit parallel mode, AIN1 and AIN2 must be driven high or low and the device must be powered-up or exit sleep mode. Figure 7 shows a block diagram of the device using parallel mode.

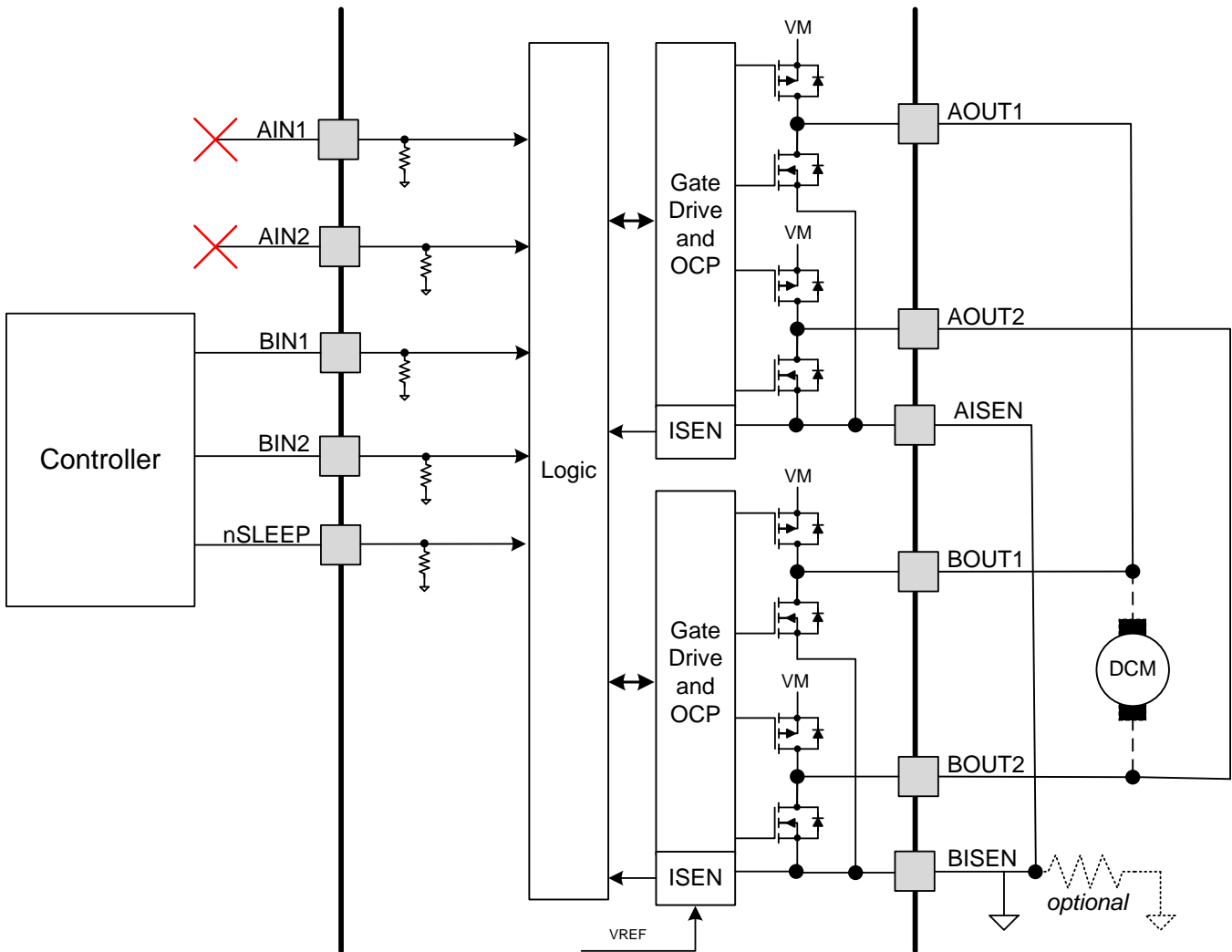


Figure 7. Parallel Mode Operation

### 7.3.4 Current Regulation

The current through the motor windings is regulated by a fixed-off-time PWM current regulation circuit. With DC brushed motors, current regulation can be used to limit the stall current (which is also the startup current) of the motor.

Current regulation works as follows:

When an H-bridge is enabled, current rises through the winding at a rate dependent on the supply voltage and inductance of the winding. If the current reaches the current chopping threshold, the bridge disables the current for a time  $t_{OFF}$  before starting the next PWM cycle. Note that immediately after the current is enabled, the voltage on the xISEN pin is ignored for a period of time ( $t_{BLANK}$ ) before enabling the current sense circuitry. This blanking time also sets the minimum on-time of the PWM cycle.

The PWM chopping current is set by a comparator which compares the voltage across a current sense resistor, connected to the xISEN pin, with a reference voltage. The reference voltage is derived from the voltage applied to the VREF pin and it is  $V_{VREF} / 6.6$ . The VREF pin can be tied, on board, to the 3.3 V – VINT pin, or it can be externally forced to a desired VREF voltage.

The full scale chopping current in a winding is calculated as follows:

$$I_{FS} = \frac{V_{VREF}}{6.6 \times R_{ISENSE}}$$

where

- $I_{FS}$  is the regulated current.
- $V_{VREF}$  is the voltage on the VREF pin.
- $R_{ISENSE}$  is the resistance of the sense resistor. (1)

*Example:* If  $V_{VREF}$  is 3.3 V and a 500-mΩ sense resistor is used, the full-scale chopping current is  $3.3 \text{ V} / (6.6 \times 500 \text{ m}\Omega) = 1 \text{ A}$ .

Note that if the current control is not needed, the xISEN pins may be connected directly to ground. In this case, VREF should be connected to VINT.

### 7.3.5 Current Recirculation and Decay Modes

During PWM current chopping, the H-bridge is enabled to drive current through the motor winding until the PWM current chopping threshold is reached (see case 1 in [Figure 8](#)).

After the chopping current threshold is reached, the drive current is interrupted, but due to the inductive nature of the motor, current must continue to flow for some period of time. This is called recirculation current. To handle this recirculation current, the DRV8848 H-bridge operates in mixed decay mode.

Mixed decay is a combination of fast and slow decay modes. In fast decay mode, the opposite drivers are turned on to allow the current to decay (see case 2 in [Figure 8](#)). If the winding current approaches zero, while in fast decay, the bridge is disabled to prevent any reverse current flow. In slow decay mode, winding current is recirculated by enabling both of the low-side FETs in the bridge (see case 3 in [Figure 8](#)). Mixed decay starts with fast decay, then goes to slow decay. In DRV8848, the mixed decay ratio is 25% fast decay and 75% slow decay (as shown in [Figure 9](#)).

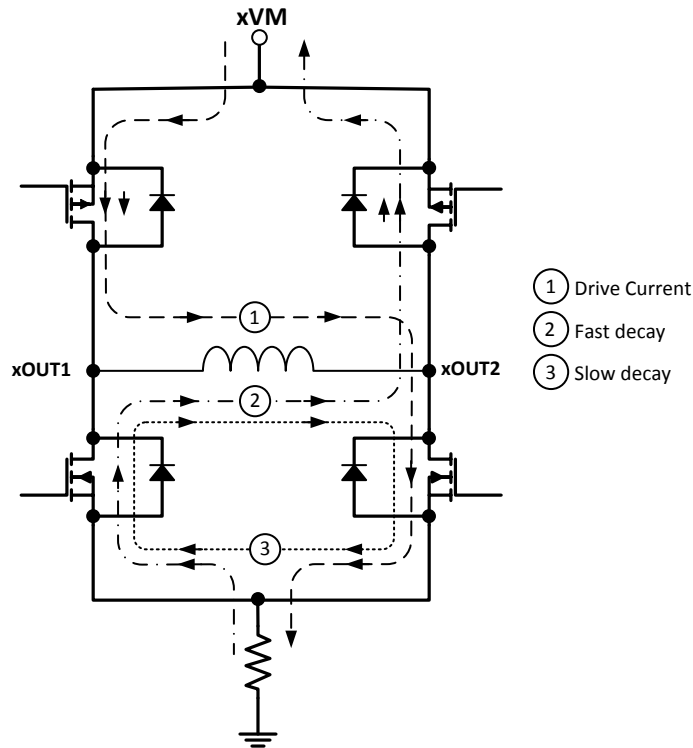


Figure 8. Decay Modes

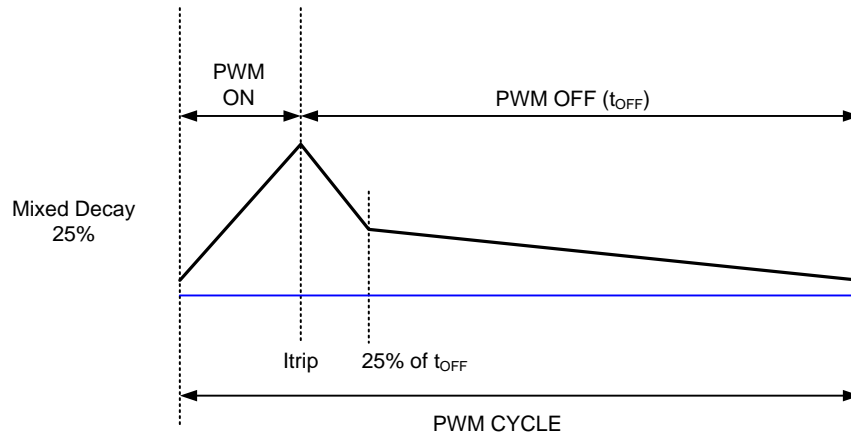


Figure 9. Mixed Decay

### 7.3.6 Protection Circuits

The DRV8848 is fully protected against undervoltage, overcurrent, and overtemperature events.

#### 7.3.6.1 OCP

An analog current limit circuit on each FET limits the current through the FET by limiting the gate drive. If this analog current limit persists for longer than the OCP deglitch time  $t_{OCP}$ , all FETs in the H-bridge are disabled and the nFAULT pin is driven low. The device remains disabled until the retry time  $t_{RETRY}$  occurs. The OCP is independent for each H-bridge.

Overcurrent conditions are detected independently on both high-side and low-side devices; that is, a short to ground, supply, or across the motor winding all result in an OCP event. Note that OCP does not use the current sense circuitry used for PWM current control, so OCP functions even without presence of the xISEN resistors.

### 7.3.6.2 TSD

If the die temperature exceeds safe limits  $T_{TSD}$ , all FETs in the H-bridge are disabled and the nFAULT pin is driven low. After the die temperature has fallen to a safe level, operation automatically resumes. The nFAULT pin is released after operation has resumed.

### 7.3.6.3 UVLO

If at any time the voltage on the VM pin falls below the UVLO falling threshold voltage,  $V_{UVLO}$ , all circuitry in the device is disabled, and all internal logic is reset. Operation resumes when  $V_{VM}$  rises above the UVLO rising threshold. The nFAULT pin is driven low during an undervoltage condition and is released after operation has resumed.

**Table 2. Fault Handling**

FAULT	ERROR REPORT	H-BRIDGE	INTERNAL CIRCUITS	RECOVERY
VM undervoltage (UVLO)	nFAULT unlatched	Disabled	Shut down	System and fault clears on recovery
Overcurrent (OCP)	nFAULT unlatched	Disabled	Operating	System and fault clears on recovery and motor is driven after time, $t_{RETRY}$
Thermal shutdown (TSD)	nFAULT unlatched	Disabled	Operating	System and fault clears on recovery

## 7.4 Device Functional Modes

The DRV8848 is active unless the nSLEEP pin is brought logic low. In sleep mode, the VINT regulator is disabled and the H-bridge FETs are disabled Hi-Z. Note that  $t_{SLEEP}$  must elapse after a falling edge on the nSLEEP pin before the device is in sleep mode. The DRV8848 is brought out of sleep mode automatically if nSLEEP is brought logic high. Note that  $t_{WAKE}$  must elapse before the output change state after wake-up.

When  $V_{VM}$  falls below the VM UVLO threshold ( $V_{UVLO}$ ), the output driver, internal logic, and VINT regulator are reset.

**Table 3. Functional Modes**

MODE	CONDITION	H-BRIDGE	VINT
Operating	$4\text{ V} < V_{VM} < 18\text{ V}$ nSLEEP pin = 1	Operating	Operating
Sleep	$4\text{ V} < V_{VM} < 18\text{ V}$ nSLEEP pin = 0	Disabled	Disabled
Fault	Any fault condition met	Disabled	Depends on fault

## 8 Application and Implementation

### NOTE

Information in the following applications sections is not part of the TI component specification, and TI does not warrant its accuracy or completeness. TI's customers are responsible for determining suitability of components for their purposes. Customers should validate and test their design implementation to confirm system functionality.

### 8.1 Application Information

The DRV8848 is used in stepper or brushed DC motor control.

### 8.2 Typical Application

The user can configure the DRV8848 with the following design procedure.

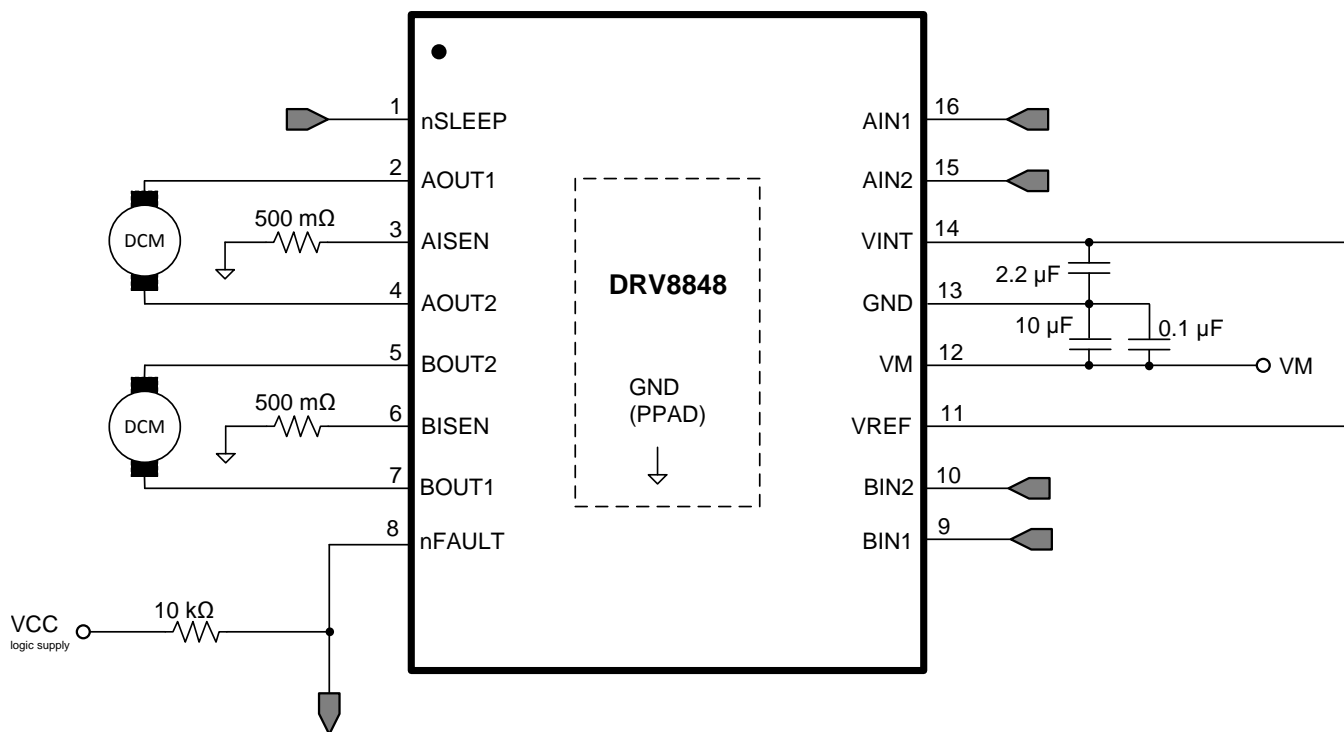


Figure 10. Typical Application Schematic

#### 8.2.1 Design Requirements

Table 4 gives design input parameters for system design.

Table 4. Design Parameters

DESIGN PARAMETER	REFERENCE	EXAMPLE VALUE
Nominal supply voltage	$V_{VM}$	12 V
Supply voltage range		4 to 18 V
Motor winding resistance	$R_L$	3 Ω/phase
Motor winding inductance	$L_L$	330 μH/phase
Target chopping current	$I_{CHOP}$	500 mA
Chopping current reference voltage	$V_{VREF}$	3.3 V

## 8.2.2 Detailed Design Procedure

### 8.2.2.1 Current Regulation

The chopping current ( $I_{CHOP}$ ) is the maximum current driven through either winding. This quantity depends on the sense resistor value ( $R_{XISEN}$ ).

$$I_{CHOP} = \frac{V_{VREF}}{6.6 \times R_{XISEN}} \tag{2}$$

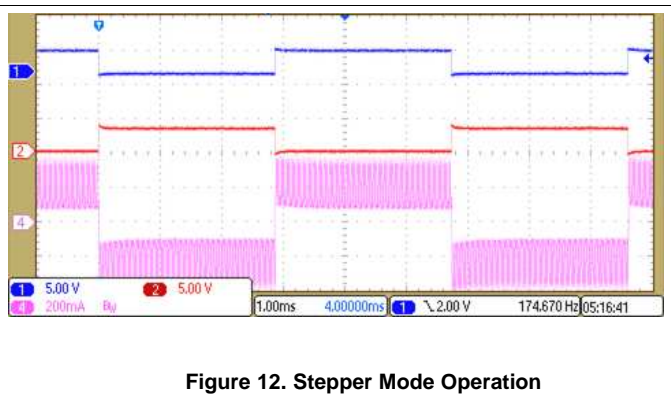
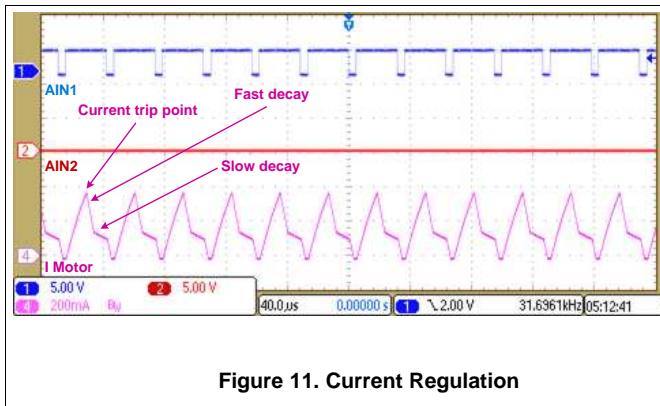
$I_{CHOP}$  is set by a comparator which compares the voltage across  $R_{XISEN}$  to a reference voltage. Note that  $I_{CHOP}$  must follow Equation 3 to avoid saturating the motor.

$$I_{CHOP} (A) < \frac{V_{VM} (V)}{R_L (\Omega) + 2 \times R_{DS(ON)} (\Omega) + R_{XISEN} (\Omega)}$$

where

- $V_{VM}$  is the motor supply voltage.
  - $R_L$  is the motor winding resistance.
- (3)

### 8.2.3 Application Curves





## 9 Power Supply Recommendations

The DRV8848 is designed to operate from an input voltage supply ( $V_{VM}$ ) range between 4 and 18 V. Place a 0.1- $\mu\text{F}$  ceramic capacitor rated for VM as close to the DRV8848 as possible. In addition, the user must include a bulk capacitor of at least 10  $\mu\text{F}$  on VM.

### 9.1 Bulk Capacitance Sizing

Bulk capacitance sizing is an important factor in motor drive system design. It depends on a variety of factors including:

- Type of power supply
- Acceptable supply voltage ripple
- Parasitic inductance in the power supply wiring
- Type of motor (brushed DC, brushless DC, stepper)
- Motor startup current
- Motor braking method

The inductance between the power supply and motor drive system limits the rate that current can change from the power supply. If the local bulk capacitance is too small, the system responds to excessive current demands or dumps from the motor with a change in voltage.

Size the bulk capacitance to meet acceptable voltage ripple levels.

The data sheet provides a recommended minimum value, but system-level testing is required to determine the appropriate-sized bulk capacitor.

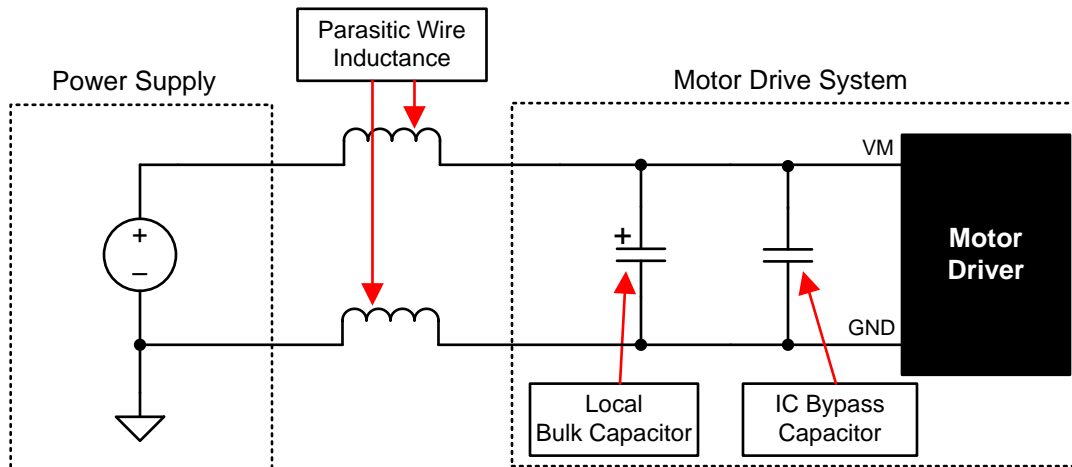


Figure 13. Setup of Motor Drive System With External Power Supply

## 10 Layout

### 10.1 Layout Guidelines

Bypass the VM terminal to GND using a low-ESR ceramic bypass capacitor with a recommended value of 10  $\mu\text{F}$  rated for VM. Place this capacitor as close to the VM pin as possible with a thick trace or ground plane connection to the device GND pin.

Bypass VINT to ground with a ceramic capacitor rated 6.3 V. Place this bypassing capacitor as close to the pin as possible.

### 10.2 Layout Example

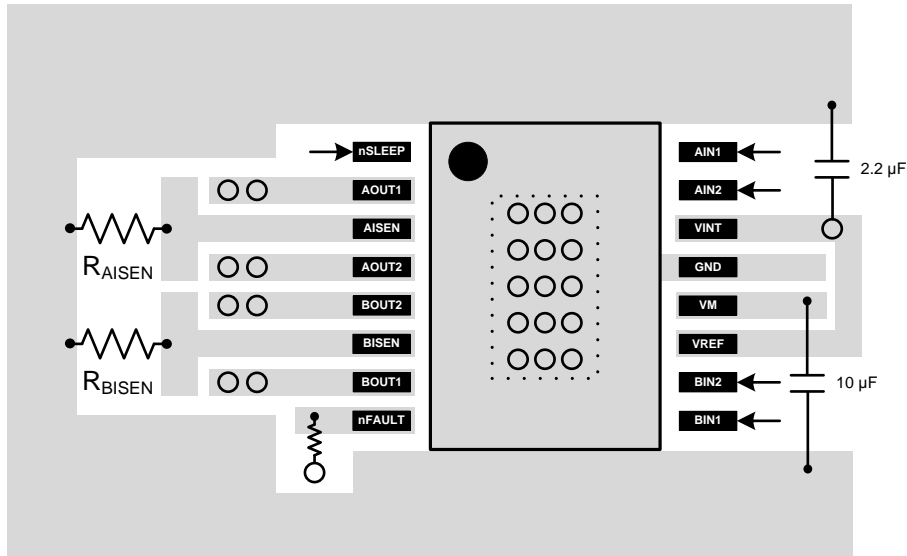


Figure 14. Layout Recommendation

## 11 Device and Documentation Support

### 11.1 Community Resources

The following links connect to TI community resources. Linked contents are provided "AS IS" by the respective contributors. They do not constitute TI specifications and do not necessarily reflect TI's views; see TI's [Terms of Use](#).

**TI E2E™ Online Community** *TI's Engineer-to-Engineer (E2E) Community*. Created to foster collaboration among engineers. At [e2e.ti.com](http://e2e.ti.com), you can ask questions, share knowledge, explore ideas and help solve problems with fellow engineers.

**Design Support** *TI's Design Support* Quickly find helpful E2E forums along with design support tools and contact information for technical support.

### 11.2 Trademarks

E2E is a trademark of Texas Instruments.  
All other trademarks are the property of their respective owners.

### 11.3 Electrostatic Discharge Caution



These devices have limited built-in ESD protection. The leads should be shorted together or the device placed in conductive foam during storage or handling to prevent electrostatic damage to the MOS gates.

### 11.4 Glossary

[SLYZ022](#) — *TI Glossary*.

This glossary lists and explains terms, acronyms, and definitions.

## 12 Mechanical, Packaging, and Orderable Information

The following pages include mechanical, packaging, and orderable information. This information is the most current data available for the designated devices. This data is subject to change without notice and revision of this document. For browser-based versions of this data sheet, refer to the left-hand navigation.

**PACKAGING INFORMATION**

Orderable Device	Status (1)	Package Type	Package Drawing	Pins	Package Qty	Eco Plan (2)	Lead/Ball Finish (6)	MSL Peak Temp (3)	Op Temp (°C)	Device Marking (4/5)	Samples
DRV8848PWP	ACTIVE	HTSSOP	PWP	16	90	Green (RoHS & no Sb/Br)	CU NIPDAU	Level-3-260C-168 HR	-40 to 85	DRV8848	<a href="#">Samples</a>
DRV8848PWPR	ACTIVE	HTSSOP	PWP	16	2000	Green (RoHS & no Sb/Br)	CU NIPDAU	Level-3-260C-168 HR	-40 to 85	DRV8848	<a href="#">Samples</a>

(1) The marketing status values are defined as follows:

**ACTIVE:** Product device recommended for new designs.

**LIFEBUY:** TI has announced that the device will be discontinued, and a lifetime-buy period is in effect.

**NRND:** Not recommended for new designs. Device is in production to support existing customers, but TI does not recommend using this part in a new design.

**PREVIEW:** Device has been announced but is not in production. Samples may or may not be available.

**OBsolete:** TI has discontinued the production of the device.

(2) Eco Plan - The planned eco-friendly classification: Pb-Free (RoHS), Pb-Free (RoHS Exempt), or Green (RoHS & no Sb/Br) - please check <http://www.ti.com/productcontent> for the latest availability information and additional product content details.

**TBD:** The Pb-Free/Green conversion plan has not been defined.

**Pb-Free (RoHS):** TI's terms "Lead-Free" or "Pb-Free" mean semiconductor products that are compatible with the current RoHS requirements for all 6 substances, including the requirement that lead not exceed 0.1% by weight in homogeneous materials. Where designed to be soldered at high temperatures, TI Pb-Free products are suitable for use in specified lead-free processes.

**Pb-Free (RoHS Exempt):** This component has a RoHS exemption for either 1) lead-based flip-chip solder bumps used between the die and package, or 2) lead-based die adhesive used between the die and leadframe. The component is otherwise considered Pb-Free (RoHS compatible) as defined above.

**Green (RoHS & no Sb/Br):** TI defines "Green" to mean Pb-Free (RoHS compatible), and free of Bromine (Br) and Antimony (Sb) based flame retardants (Br or Sb do not exceed 0.1% by weight in homogeneous material)

(3) MSL, Peak Temp. - The Moisture Sensitivity Level rating according to the JEDEC industry standard classifications, and peak solder temperature.

(4) There may be additional marking, which relates to the logo, the lot trace code information, or the environmental category on the device.

(5) Multiple Device Markings will be inside parentheses. Only one Device Marking contained in parentheses and separated by a "~" will appear on a device. If a line is indented then it is a continuation of the previous line and the two combined represent the entire Device Marking for that device.

(6) Lead/Ball Finish - Orderable Devices may have multiple material finish options. Finish options are separated by a vertical ruled line. Lead/Ball Finish values may wrap to two lines if the finish value exceeds the maximum column width.

**Important Information and Disclaimer:** The information provided on this page represents TI's knowledge and belief as of the date that it is provided. TI bases its knowledge and belief on information provided by third parties, and makes no representation or warranty as to the accuracy of such information. Efforts are underway to better integrate information from third parties. TI has taken and continues to take reasonable steps to provide representative and accurate information but may not have conducted destructive testing or chemical analysis on incoming materials and chemicals. TI and TI suppliers consider certain information to be proprietary, and thus CAS numbers and other limited information may not be available for release.

In no event shall TI's liability arising out of such information exceed the total purchase price of the TI part(s) at issue in this document sold by TI to Customer on an annual basis.

## TAPE AND REEL INFORMATION



### QUADRANT ASSIGNMENTS FOR PIN 1 ORIENTATION IN TAPE



\*All dimensions are nominal

Device	Package Type	Package Drawing	Pins	SPQ	Reel Diameter (mm)	Reel Width W1 (mm)	A0 (mm)	B0 (mm)	K0 (mm)	P1 (mm)	W (mm)	Pin1 Quadrant
DRV8848PWPR	HTSSOP	PWP	16	2000	330.0	12.4	6.9	5.6	1.6	8.0	12.0	Q1

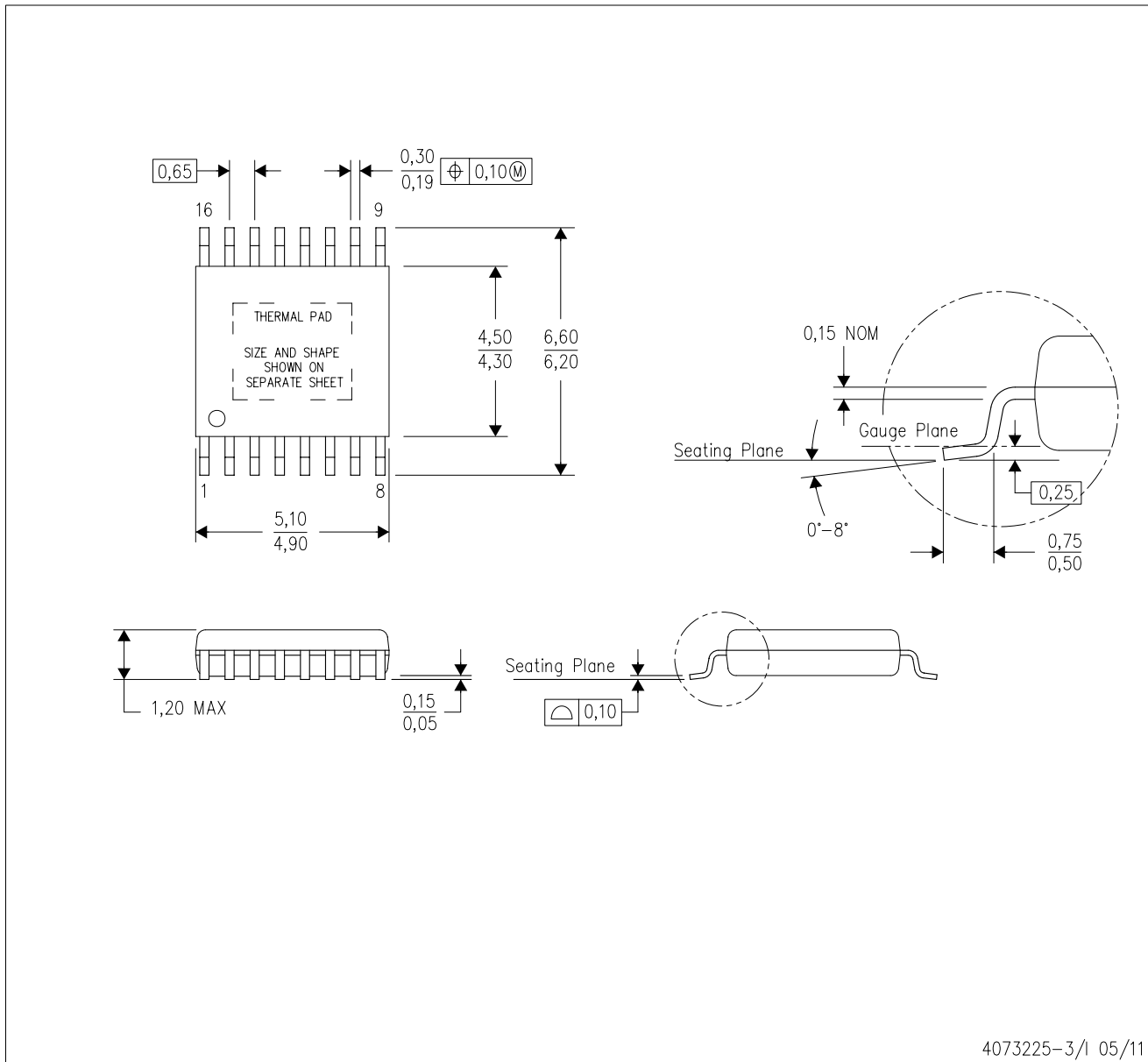
**TAPE AND REEL BOX DIMENSIONS**


\*All dimensions are nominal

Device	Package Type	Package Drawing	Pins	SPQ	Length (mm)	Width (mm)	Height (mm)
DRV8848PWPR	HTSSOP	PWP	16	2000	367.0	367.0	35.0

PWP (R-PDSO-G16)

PowerPAD™ PLASTIC SMALL OUTLINE



4073225-3/1 05/11

- NOTES:
- All linear dimensions are in millimeters.
  - This drawing is subject to change without notice.
  - Body dimensions do not include mold flash or protrusions. Mold flash and protrusion shall not exceed 0.15 per side.
  - This package is designed to be soldered to a thermal pad on the board. Refer to Technical Brief, PowerPad Thermally Enhanced Package, Texas Instruments Literature No. SLMA002 for information regarding recommended board layout. This document is available at [www.ti.com](http://www.ti.com) <<http://www.ti.com>>.
  - See the additional figure in the Product Data Sheet for details regarding the exposed thermal pad features and dimensions.
  - Falls within JEDEC MO-153

PowerPAD is a trademark of Texas Instruments.



# THERMAL PAD MECHANICAL DATA

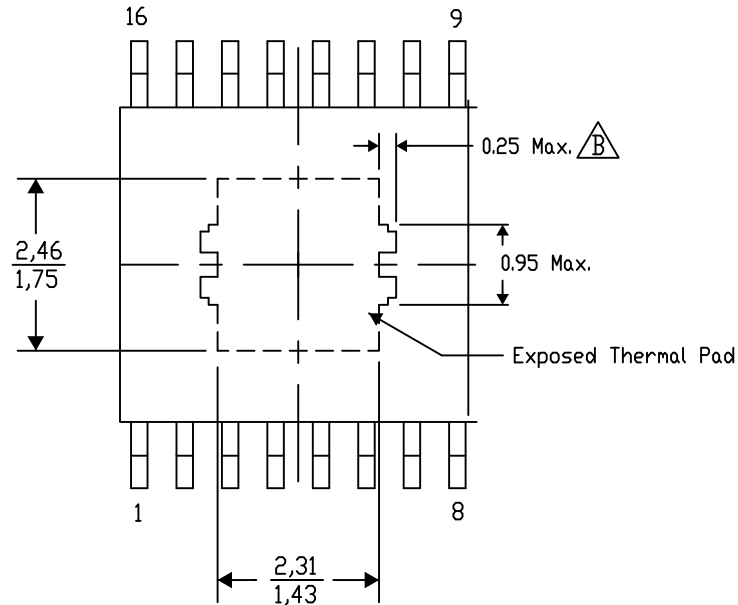
## PWP (R-PDSO-G16) PowerPAD™ SMALL PLASTIC OUTLINE

### THERMAL INFORMATION

This PowerPAD™ package incorporates an exposed thermal pad that is designed to be attached to a printed circuit board (PCB). The thermal pad must be soldered directly to the PCB. After soldering, the PCB can be used as a heatsink. In addition, through the use of thermal vias, the thermal pad can be attached directly to the appropriate copper plane shown in the electrical schematic for the device, or alternatively, can be attached to a special heatsink structure designed into the PCB. This design optimizes the heat transfer from the integrated circuit (IC).

For additional information on the PowerPAD package and how to take advantage of its heat dissipating abilities, refer to Technical Brief, PowerPAD Thermally Enhanced Package, Texas Instruments Literature No. SLMA002 and Application Brief, PowerPAD Made Easy, Texas Instruments Literature No. SLMA004. Both documents are available at [www.ti.com](http://www.ti.com).

The exposed thermal pad dimensions for this package are shown in the following illustration.



Top View

Exposed Thermal Pad Dimensions

4206332-6/AO 01/16

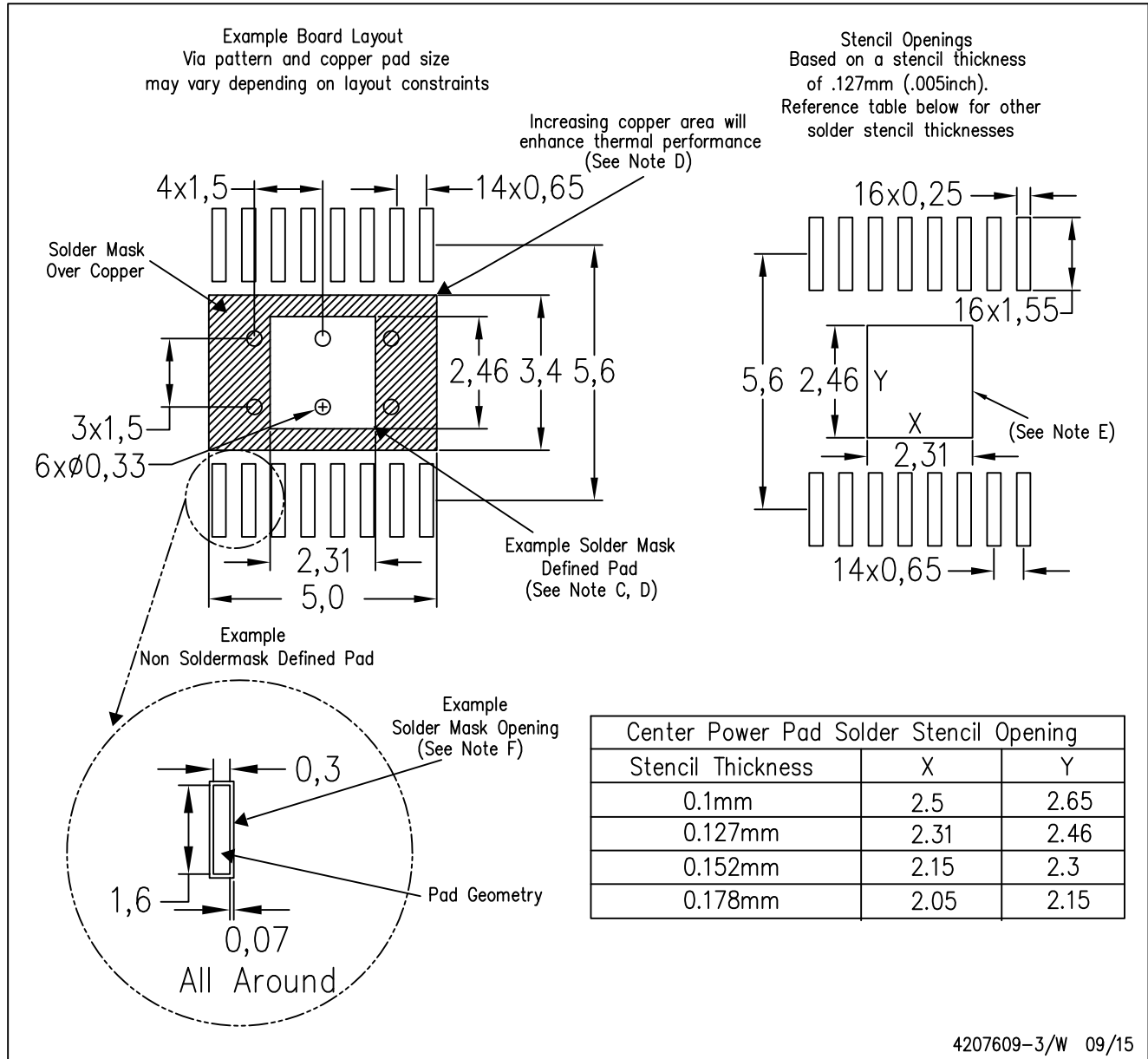
NOTE: A. All linear dimensions are in millimeters

$\triangle B$  Exposed tie strap features may not be present.

PowerPAD is a trademark of Texas Instruments

PWP (R-PDSO-G16)

PowerPAD™ PLASTIC SMALL OUTLINE



- NOTES:
- A. All linear dimensions are in millimeters.
  - B. This drawing is subject to change without notice.
  - C. Customers should place a note on the circuit board fabrication drawing not to alter the center solder mask defined pad.
  - D. This package is designed to be soldered to a thermal pad on the board. Refer to Technical Brief, PowerPAD Thermally Enhanced Package, Texas Instruments Literature No. SLMA002, SLMA004, and also the Product Data Sheets for specific thermal information, via requirements, and recommended board layout. These documents are available at [www.ti.com](http://www.ti.com) <<http://www.ti.com>>. Publication IPC-7351 is recommended for alternate designs.
  - E. Laser cutting apertures with trapezoidal walls and also rounding corners will offer better paste release. Customers should contact their board assembly site for stencil design recommendations. Example stencil design based on a 50% volumetric metal load solder paste. Refer to IPC-7525 for other stencil recommendations.
  - F. Customers should contact their board fabrication site for solder mask tolerances between and around signal pads.

## IMPORTANT NOTICE

Texas Instruments Incorporated and its subsidiaries (TI) reserve the right to make corrections, enhancements, improvements and other changes to its semiconductor products and services per JESD46, latest issue, and to discontinue any product or service per JESD48, latest issue. Buyers should obtain the latest relevant information before placing orders and should verify that such information is current and complete. All semiconductor products (also referred to herein as "components") are sold subject to TI's terms and conditions of sale supplied at the time of order acknowledgment.

TI warrants performance of its components to the specifications applicable at the time of sale, in accordance with the warranty in TI's terms and conditions of sale of semiconductor products. Testing and other quality control techniques are used to the extent TI deems necessary to support this warranty. Except where mandated by applicable law, testing of all parameters of each component is not necessarily performed.

TI assumes no liability for applications assistance or the design of Buyers' products. Buyers are responsible for their products and applications using TI components. To minimize the risks associated with Buyers' products and applications, Buyers should provide adequate design and operating safeguards.

TI does not warrant or represent that any license, either express or implied, is granted under any patent right, copyright, mask work right, or other intellectual property right relating to any combination, machine, or process in which TI components or services are used. Information published by TI regarding third-party products or services does not constitute a license to use such products or services or a warranty or endorsement thereof. Use of such information may require a license from a third party under the patents or other intellectual property of the third party, or a license from TI under the patents or other intellectual property of TI.

Reproduction of significant portions of TI information in TI data books or data sheets is permissible only if reproduction is without alteration and is accompanied by all associated warranties, conditions, limitations, and notices. TI is not responsible or liable for such altered documentation. Information of third parties may be subject to additional restrictions.

Resale of TI components or services with statements different from or beyond the parameters stated by TI for that component or service voids all express and any implied warranties for the associated TI component or service and is an unfair and deceptive business practice. TI is not responsible or liable for any such statements.

Buyer acknowledges and agrees that it is solely responsible for compliance with all legal, regulatory and safety-related requirements concerning its products, and any use of TI components in its applications, notwithstanding any applications-related information or support that may be provided by TI. Buyer represents and agrees that it has all the necessary expertise to create and implement safeguards which anticipate dangerous consequences of failures, monitor failures and their consequences, lessen the likelihood of failures that might cause harm and take appropriate remedial actions. Buyer will fully indemnify TI and its representatives against any damages arising out of the use of any TI components in safety-critical applications.

In some cases, TI components may be promoted specifically to facilitate safety-related applications. With such components, TI's goal is to help enable customers to design and create their own end-product solutions that meet applicable functional safety standards and requirements. Nonetheless, such components are subject to these terms.

No TI components are authorized for use in FDA Class III (or similar life-critical medical equipment) unless authorized officers of the parties have executed a special agreement specifically governing such use.

Only those TI components which TI has specifically designated as military grade or "enhanced plastic" are designed and intended for use in military/aerospace applications or environments. Buyer acknowledges and agrees that any military or aerospace use of TI components which have **not** been so designated is solely at the Buyer's risk, and that Buyer is solely responsible for compliance with all legal and regulatory requirements in connection with such use.

TI has specifically designated certain components as meeting ISO/TS16949 requirements, mainly for automotive use. In any case of use of non-designated products, TI will not be responsible for any failure to meet ISO/TS16949.

### Products

Audio	<a href="http://www.ti.com/audio">www.ti.com/audio</a>
Amplifiers	<a href="http://amplifier.ti.com">amplifier.ti.com</a>
Data Converters	<a href="http://dataconverter.ti.com">dataconverter.ti.com</a>
DLP® Products	<a href="http://www.dlp.com">www.dlp.com</a>
DSP	<a href="http://dsp.ti.com">dsp.ti.com</a>
Clocks and Timers	<a href="http://www.ti.com/clocks">www.ti.com/clocks</a>
Interface	<a href="http://interface.ti.com">interface.ti.com</a>
Logic	<a href="http://logic.ti.com">logic.ti.com</a>
Power Mgmt	<a href="http://power.ti.com">power.ti.com</a>
Microcontrollers	<a href="http://microcontroller.ti.com">microcontroller.ti.com</a>
RFID	<a href="http://www.ti-rfid.com">www.ti-rfid.com</a>
OMAP Applications Processors	<a href="http://www.ti.com/omap">www.ti.com/omap</a>
Wireless Connectivity	<a href="http://www.ti.com/wirelessconnectivity">www.ti.com/wirelessconnectivity</a>

### Applications

Automotive and Transportation	<a href="http://www.ti.com/automotive">www.ti.com/automotive</a>
Communications and Telecom	<a href="http://www.ti.com/communications">www.ti.com/communications</a>
Computers and Peripherals	<a href="http://www.ti.com/computers">www.ti.com/computers</a>
Consumer Electronics	<a href="http://www.ti.com/consumer-apps">www.ti.com/consumer-apps</a>
Energy and Lighting	<a href="http://www.ti.com/energy">www.ti.com/energy</a>
Industrial	<a href="http://www.ti.com/industrial">www.ti.com/industrial</a>
Medical	<a href="http://www.ti.com/medical">www.ti.com/medical</a>
Security	<a href="http://www.ti.com/security">www.ti.com/security</a>
Space, Avionics and Defense	<a href="http://www.ti.com/space-avionics-defense">www.ti.com/space-avionics-defense</a>
Video and Imaging	<a href="http://www.ti.com/video">www.ti.com/video</a>

### TI E2E Community

[e2e.ti.com](http://e2e.ti.com)