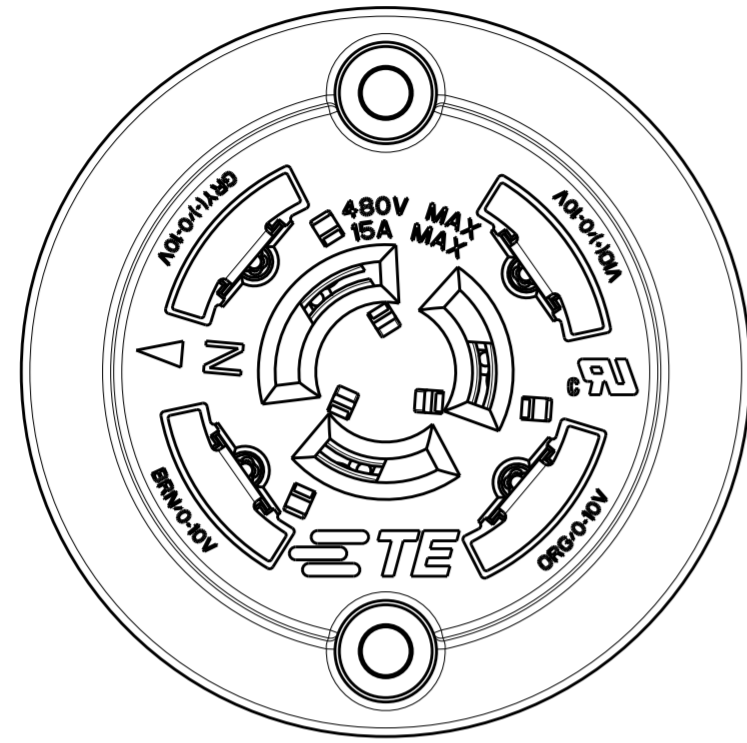


THIS DRAWING IS UNPUBLISHED. RELEASED FOR PUBLICATION 20
 © COPYRIGHT 20 BY - ALL RIGHTS RESERVED.

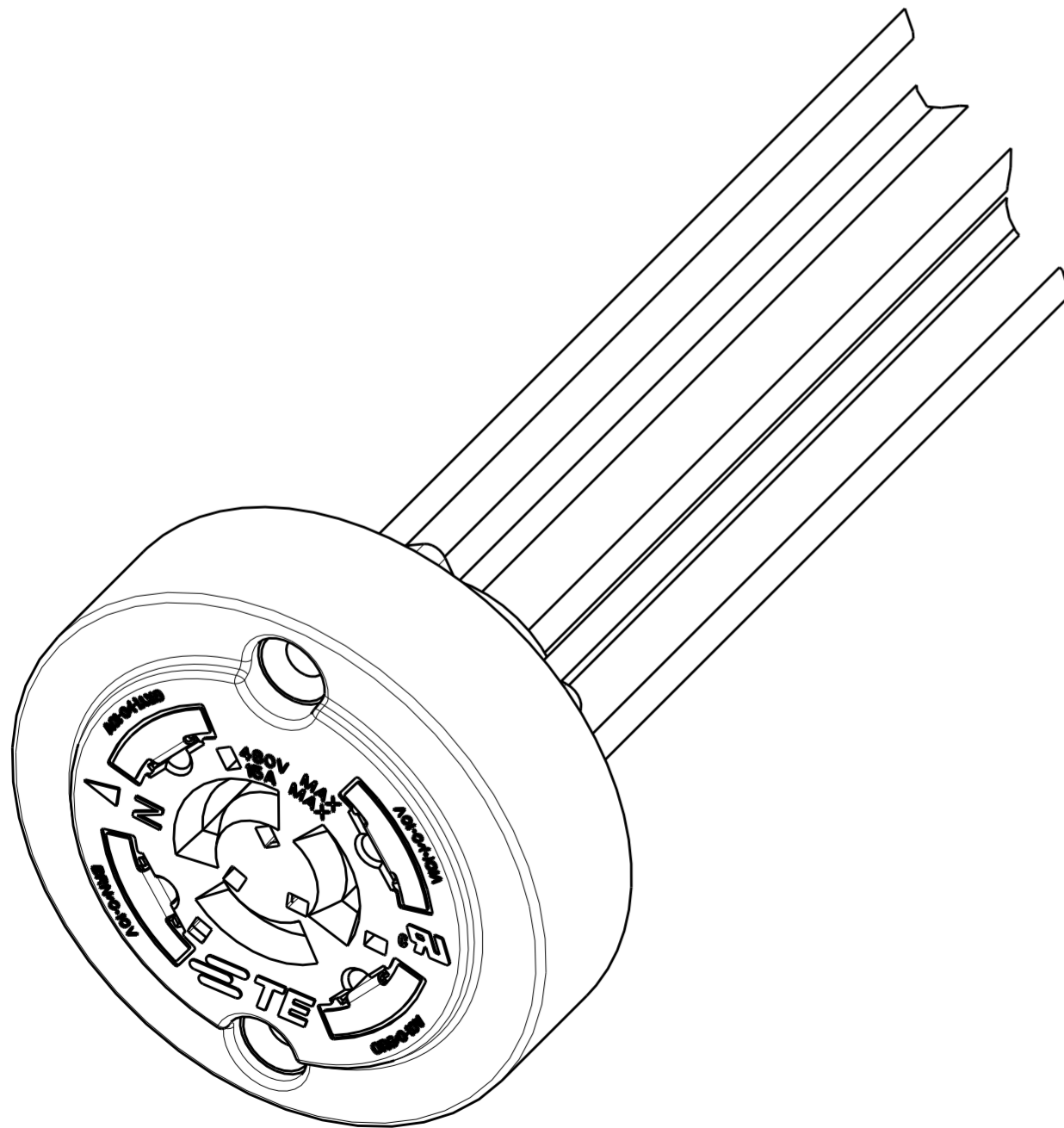
| LOC | | DIST | | REVISIONS | | | |
|-----|-----|---------------------------|-----------|-----------|------|--|--|
| P | LTR | DESCRIPTION | DATE | DWN | APVD | | |
| | A4 | REVISED PER ECR-15-012863 | 02SEP2015 | RS | PO | | |
| | A5 | REVISED PER ECR-15-015014 | 15OCT2015 | RS | DD | | |
| | A6 | REVISED PER ECR-16-002072 | 18FEB2016 | RS | DD | | |
| | A7 | REVISED PER ECR-16-006606 | 10MAY2016 | RS | DD | | |

NOTES:

1. MATERIALS:
HOUSING: GLASS-FILLED THERMOPLASTIC, UL 94V-0 RATED DIMMING CONTACTS (2 OR 4) AND LINE VOLTAGE CONTACTS (3): COPPER ALLOY
2. FINISH:
DIMMING CONTACTS (2 OR 4): NICKEL UNDERPLATE ENTIRE CONTACT 0.127 µm MIN THICK. GOLD PLATE CONTACT PAD AREA (MATING FACE SIDE ONLY) 0.76 µm MIN THICK. MATTE TIN PLATE TAB ON BOTH SIDES 0.30 µm MIN THICK. LINE VOLTAGE CONTACTS (3): TIN PLATE.
3. LINE VOLTAGE CONDUCTORS (3):
14 AWG, 600V, 150°C RATED, COPPER 41/30 STRANDED PER UL STYLE AWM 3321.
4. MATING INTERFACE PER ANSI C136.41-2013.
5. OPTIONAL DIMMING CONTACTS (2) SUPPLIED.
6. DIMMING CONDUCTORS (2 OR 4):
18 AWG, 600V, 150°C RATED, 16/30 STRANDED, PER UL STYLE AWM 3321.
7. LINE VOLTAGE CONDUCTORS (3):
14 AWG, 600V, 105°C RATED, COPPER 41/30 STRANDED. PER UL STYLE AWM 1015.
8. DIMMING CONDUCTORS (2 OR 4):
18 AWG, 600V, 105°C RATED, COPPER 16/30 STRANDED. PER UL STYLE AWM 1015.
9. LUBRICATION: GOLD PLATED CONTACT PAD SURFACES OF DIMMING CONTACTS ARE LUBRICATED WITH A TRANSPARENT (NON-VISIBLE) LUBRICANT TO IMPROVE DURABILITY AND PERFORMANCE. AVOID CONTACT WITH THESE SURFACES WHICH MAY RESULT IN REMOVAL OF LUBRICANT.
10. PRELIMINARY.



SEE SHEET 2 FOR WIRING COLOR CODE



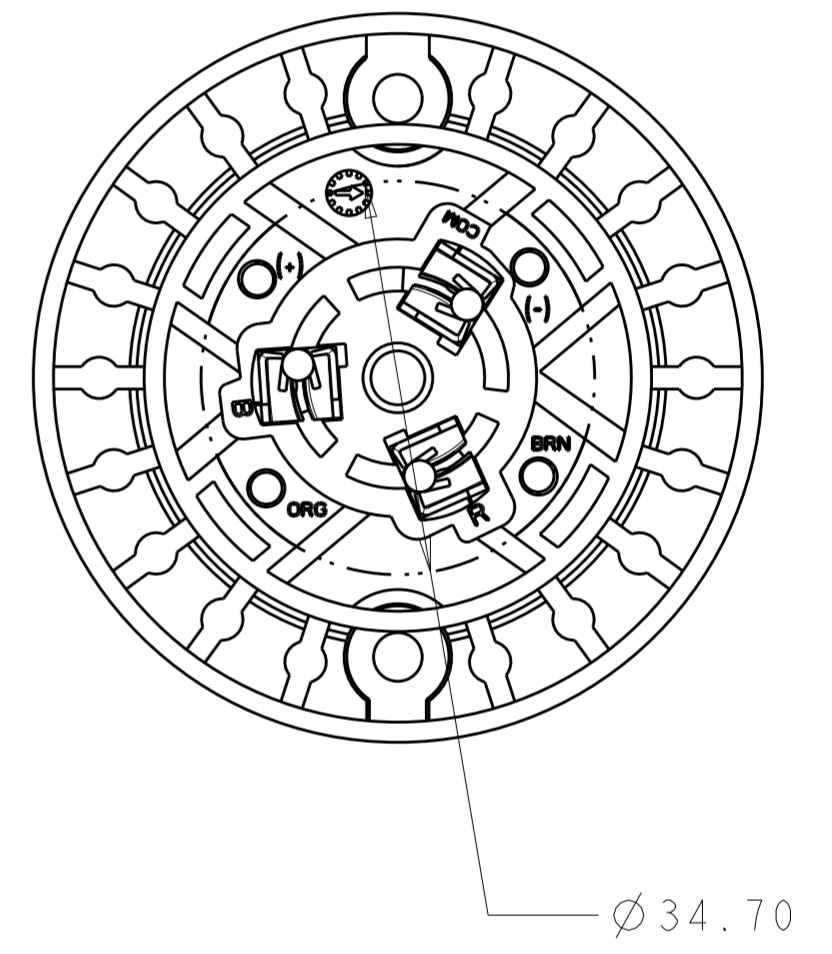
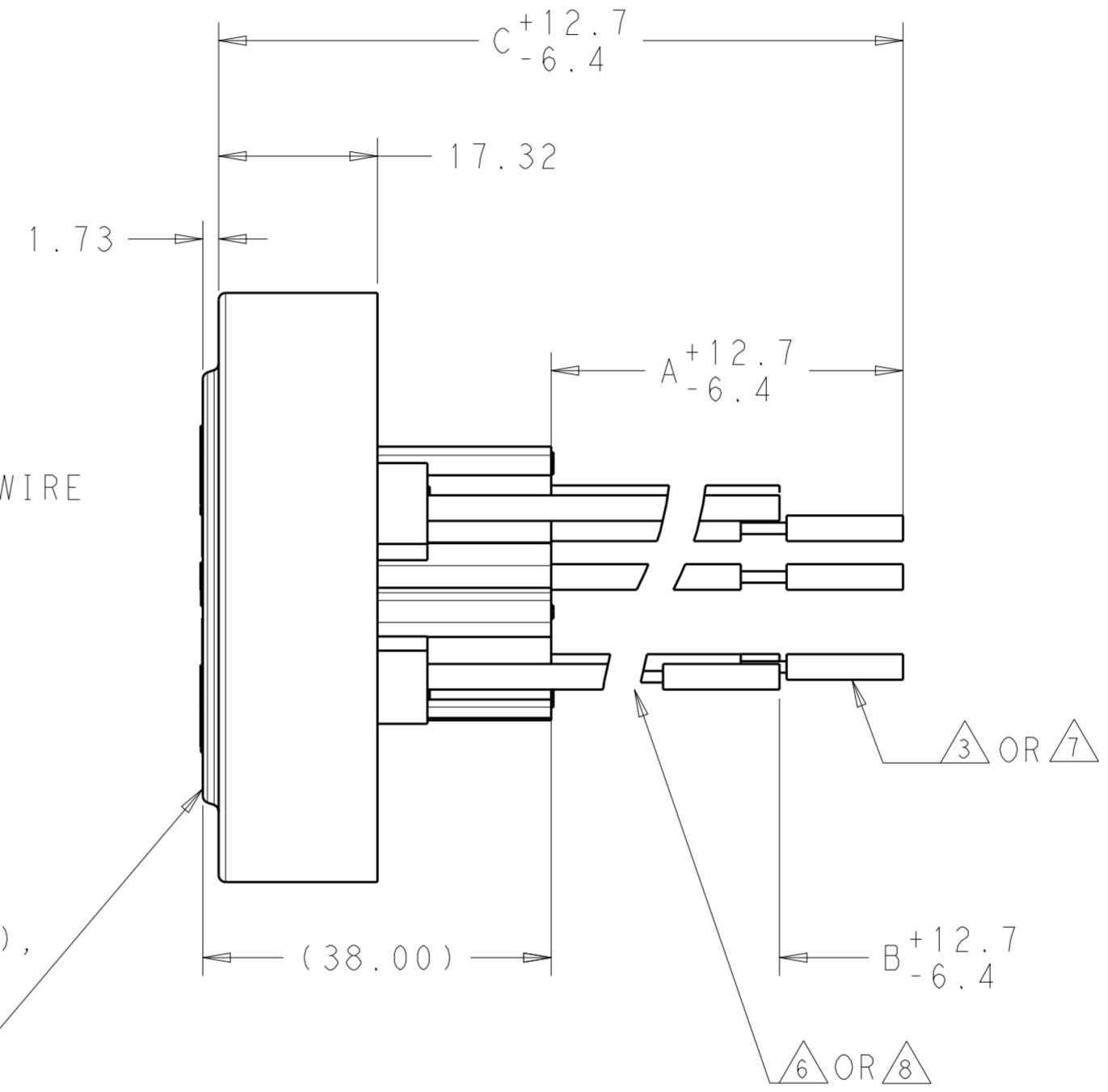
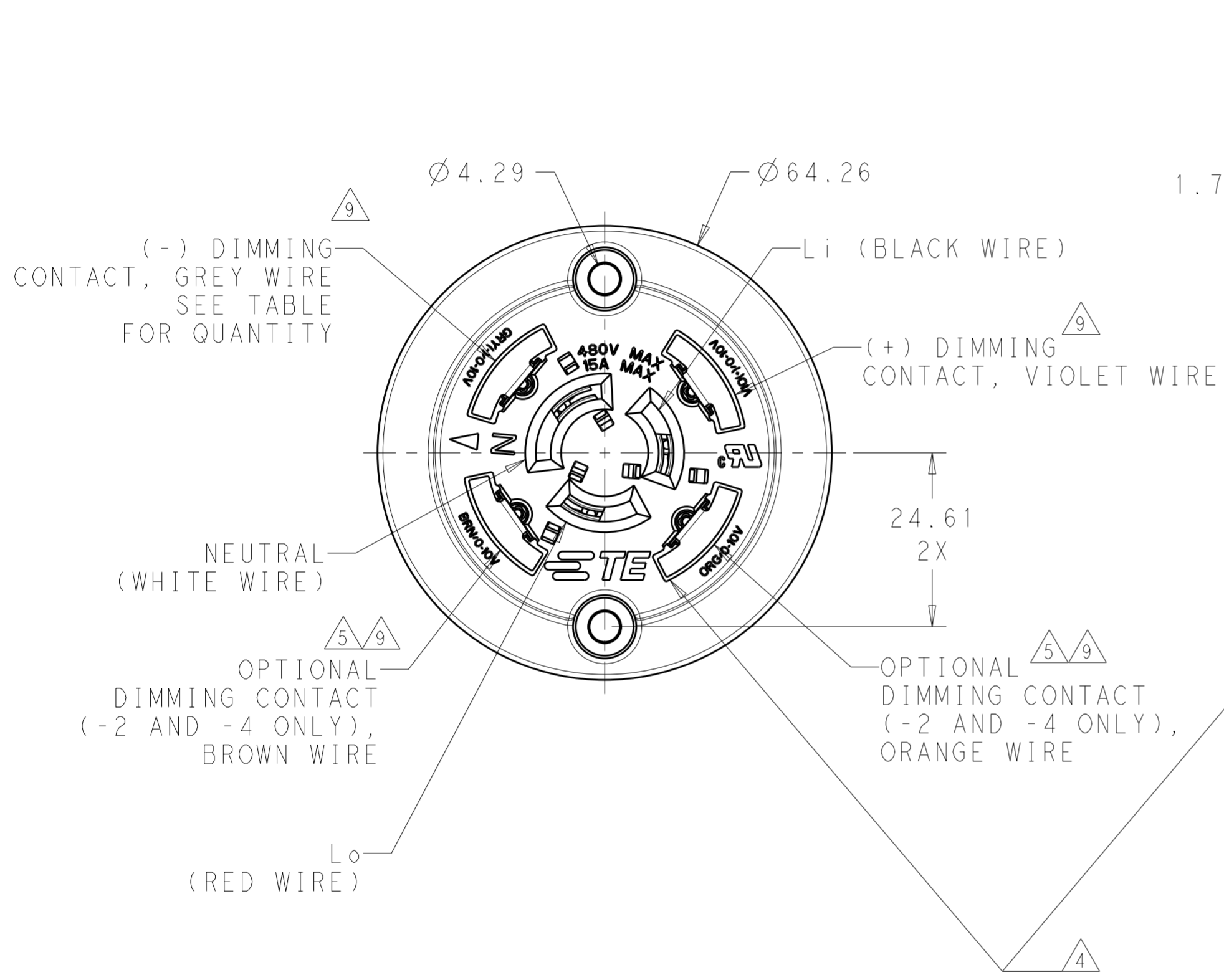
| | | | | | |
|----------------|-------------|--------|------------|------------------------------|----------------|
| 1865.1 | 1828.8 | 1815.3 | 3 AND 6 | 2 | 3-2213362-1 10 |
| 736.3 | 700.0 | 686.5 | 7 AND 8 | 4 5 | 2-2213362-4 |
| 696.3 | 660.0 | 646.5 | 3 AND 6 | 4 5 | 2-2213362-2 10 |
| 696.3 | 660.0 | 646.5 | 3 AND 6 | 2 | 2-2213362-1 |
| 536.3 | 500.0 | 486.5 | 7 AND 8 | 4 5 | 1-2213362-4 |
| 536.3 | 500.0 | 486.5 | 7 AND 8 | 2 | 1-2213362-3 10 |
| 536.3 | 500.0 | 486.5 | 3 AND 6 | 2 | 1-2213362-1 10 |
| 341.1 | 304.8 | 291.3 | 7 AND 8 | 4 5 | 2213362-4 |
| 341.1 | 304.8 | 291.3 | 7 AND 8 | 2 | 2213362-3 |
| 341.1 | 304.8 | 291.3 | 3 AND 6 | 4 5 | 2213362-2 |
| 341.1 | 304.8 | 291.3 | 3 AND 6 | 2 | 2213362-1 |
| C | A | B | WIRE STYLE | QUANTITY OF DIMMING CONTACTS | PART NO. |
| OVERALL LENGTH | WIRE LENGTH | | | | |


THIS DRAWING IS A CONTROLLED DOCUMENT.

| | | | | | | | | |
|------------------|--|-------------|---------------------|-----------|------------|---------------|-----|----|
| DWN | J. SHAFFER | 26 JUN 2013 | TE Connectivity | | | | | |
| CHK | E. HOWARD | 26 JUN 2013 | | | | | | |
| APVD | E. HOWARD | 26 JUN 2013 | | | | | | |
| NAME | RECEPTACLE ASSEMBLY, DIMMABLE PHOTOCONTROL | | | | | | | |
| PRODUCT SPEC | 108-32059 | | SIZE | CAGE CODE | DRAWING NO | RESTRICTED TO | | |
| APPLICATION SPEC | 114-32115 | | A2 | 00779 | C-2213362 | - | | |
| MATERIAL | - | | WEIGHT | - | | SCALE | 1:1 | |
| CUSTOMER DRAWING | | | SHEET | 1 | OF | 2 | REV | A7 |

THIS DRAWING IS UNPUBLISHED. RELEASED FOR PUBLICATION 20
 © COPYRIGHT 20 BY - ALL RIGHTS RESERVED.

| LOC | DIST | REVISIONS | | | |
|-----|------|-------------|------|-----|------|
| P | LTR | DESCRIPTION | DATE | DWN | APVD |
| - | - | SEE SHEET 1 | - | - | - |
| | | | | | |
| | | | | | |



| | | | | |
|--|-------------|----------------------------------|---|--------------------|
| THIS DRAWING IS A CONTROLLED DOCUMENT. | | DWN J. SHAFFER 26 JUN 2013 |  TE Connectivity | |
| DIMENSIONS: mm | | CHK E. HOWARD 26 JUN 2013 | | |
| TOLERANCES UNLESS OTHERWISE SPECIFIED: | | APVD E. HOWARD 26 JUN 2013 | NAME RECEPTACLE ASSEMBLY, DIMMABLE PHOTOCONTROL | |
| 0 PLC ± | 1 PLC ± | PRODUCT SPEC 108-32059 | SIZE A2 | CAGE CODE 00779 |
| 2 PLC ±0.13 | 3 PLC ± | APPLICATION SPEC 114-32115 | DRAWING NO C-2213362 | RESTRICTED TO - |
| 4 PLC ± | ANGLES ± | WEIGHT - | SCALE 1:1 | SHEET 2 OF 2 |
| MATERIAL - | FINISH - | Customer Drawing | REV A7 | |

Mouser Electronics

Authorized Distributor

Click to View Pricing, Inventory, Delivery & Lifecycle Information:

[TE Connectivity:](#)

[2213362-4](#)