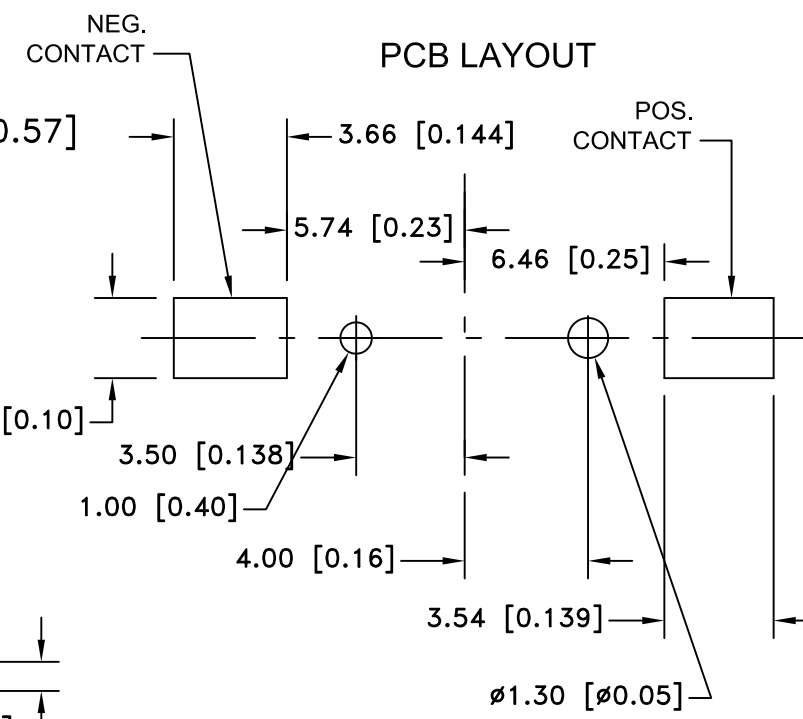
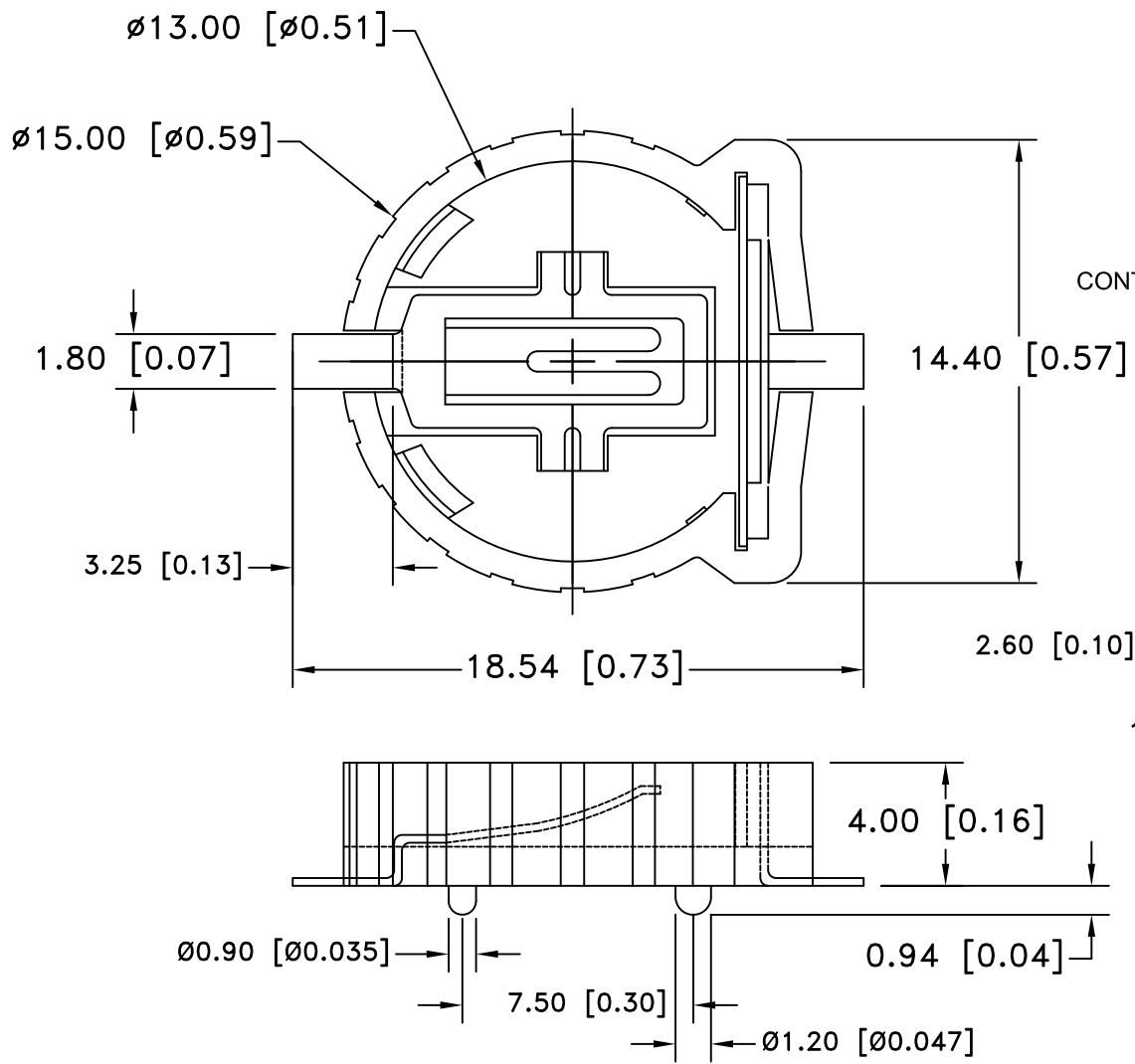



Date	SYM	REVISION RECORD	AUTH	DR.	CK.
4/16/10	D	ADDED CENTER DIST. 7.50 ADDED DIM. Ø0.90 ADDED DIM. Ø1.20	T.B.	B.S.	
01/11/13	E	ADDED UL File # E109088	T.B.	B.S.	
11/07/14	F	UPDATED TO ROHS 2 COMPLIANT	T.B.	B.S.	



- NOTES:
- MATERIAL:  
HOUSING: GLASS FILLED PPS, UL94V-0, BROWN, UL FILE#E109088  
TERMINAL: 0.20mm [0.008] PHOSPHOR BRONZE, GOLD PLATED OVER NICKEL
  - INSULATION RESISTANCE: 1000MΩ MIN
  - CONTACT RESISTANCE: 20MΩ MAX.
  - DIELECTRIC WITHSTANDING: AC 500V
  - OPERATING TEMPERATURE: -40°C TO +85°C
  - ROHS 2 COMPLIANT

Tolerance (Except as noted)	 <b>Memory Protection Devices, Inc</b> 200 Broad Hollow Road, Farmingdale, New York 11735	Scale	Drawn By B.S.
			Approved By T.B.
decimal ±.25 (.010)	Title COIN CELL HOLDER FOR CR1220	Date 11/07/14	Drawing Number BC501SM
Fractional ± .8 (.030)			
Angular + 2° - 1°			