

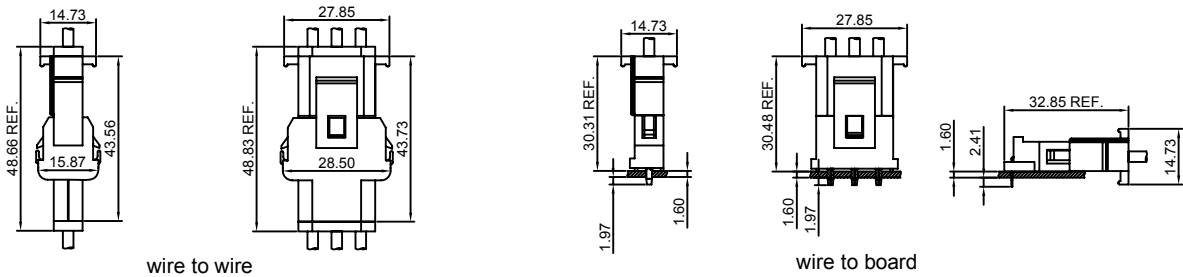
Specifications

- Current rating:19A AC,DC
- Voltage rating:600V AC,DC
- Temperature range:-40°C~+105°C
- Contact resistance:3.5mΩ Max.
- Insulation resistance:1000MΩ Min.
- Withstanding voltage:5000V AC/minute
- *Compliant with RoHS and REACH*
- *Meet the HF/Halogen Free,GW/Glow wire (IEC60335-1) request,need to customize*
- *Contact CJT for details*

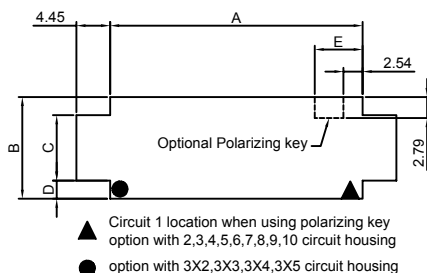
Standards



Assembly layout



Panel hole layout



PART NO.	Dimensions				
	A	B	C	D	E
C6351HM-2P	14.35	13.46	8.64	2.41	6.35
C6351HM-3P	20.70	13.46	8.64	2.41	6.35
C6351HM-4P	27.05	13.46	8.64	2.41	6.35
C6351HM-5P	33.40	13.46	8.64	2.41	6.35
C6351HM-6P	39.75	13.46	8.64	2.41	6.35
C6351HM-7P	46.10	13.46	8.64	2.41	6.35
C6351HM-8P	52.45	13.46	8.64	2.41	6.35
C6351HM-9P	58.80	13.46	8.64	2.41	6.35
C6351HM-10P	65.15	13.46	8.64	2.41	6.35
C6351HM-3X2P	14.35	26.16	12.19	6.99	6.35
C6351HM-3X3P	20.70	26.16	12.19	6.99	6.35
C6351HM-3X4P	27.05	26.16	12.19	6.99	8.89
C6351HM-3X5P	33.40	26.16	12.19	6.99	8.89

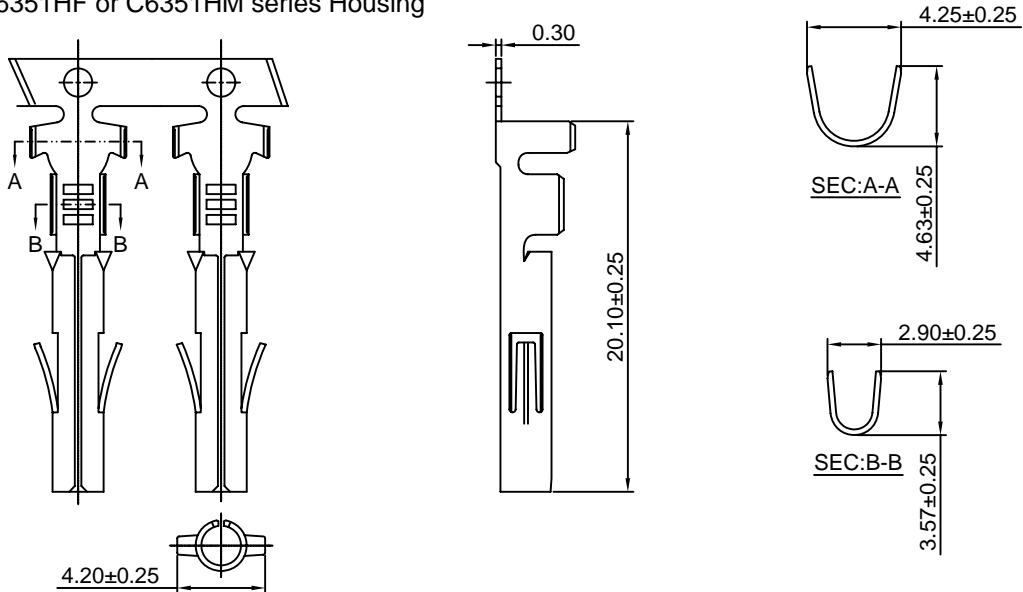
Unit:mm

C6351F-T

6.35mm pitch Crimp Terminal

Reference Informations:

*Used in CJT C6351HF or C6351HM series Housing



Ordering information & Specifications:

Unit:mm

Part NO.	Wire Range	Insulation O.D.	Material	Finish	Qty/reel
C6351F-TB	AWG#16-#20	3.30mm(max)	Brass	Tin over Nickel	5,000 PCS
C6351F-TP	AWG#16-#20	3.30mm(max)	Phosphor Bronze	Tin over Nickel	5,000 PCS
C6351F-GB	AWG#16-#20	3.30mm(max)	Brass	Gold over Nickel	5,000 PCS
C6351F-GP	AWG#16-#20	3.30mm(max)	Phosphor Bronze	Gold over Nickel	5,000 PCS

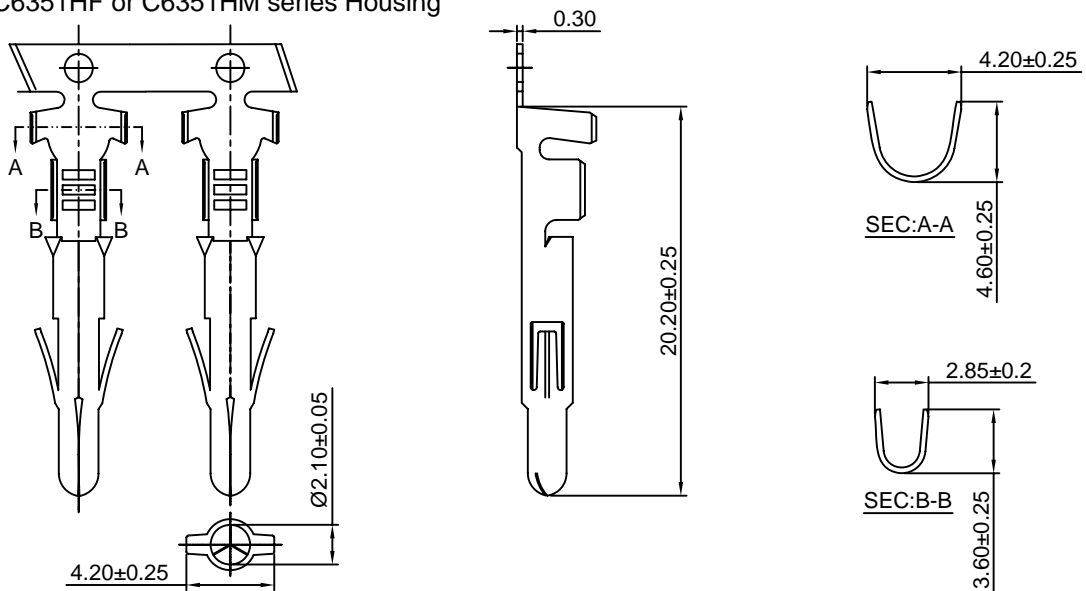
Optional Gold plating available but MOQ requested

C6351M-T

6.35mm pitch Crimp Terminal

Reference Informations:

*Used in CJT C6351HF or C6351HM series Housing



Ordering information & Specifications:

Unit:mm

Part NO.	Wire Range	Insulation O.D.	Material	Finish	Qty/reel
C6351M-TB	AWG#16-#20	3.30mm(max)	Brass	Tin over Nickel	5,000 PCS
C6351M-TP	AWG#16-#20	3.30mm(max)	Phosphor Bronze	Tin over Nickel	5,000 PCS
C6351M-GB	AWG#16-#20	3.30mm(max)	Brass	Gold over Nickel	5,000 PCS
C6351M-GP	AWG#16-#20	3.30mm(max)	Phosphor Bronze	Gold over Nickel	5,000 PCS

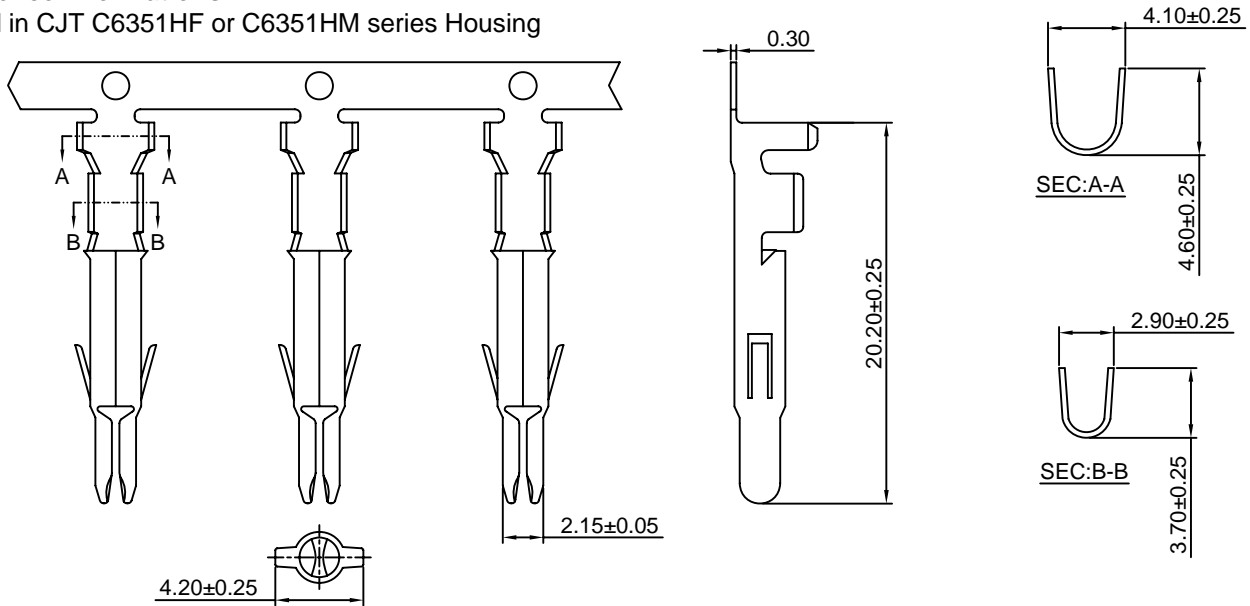
Optional Gold plating available but MOQ requested

C6351MA-T

6.35mm pitch Crimp Terminal

Reference Informations:

*Used in CJT C6351HF or C6351HM series Housing



Ordering information & Specifications:

Unit:mm

Part NO.	Wire Range	Insulation O.D.	Material	Finish	Qty/reel
C6351MA-TB	AWG#16-#20	3.30mm(max)	Brass	Tin over Nickel	5,000 PCS
C6351MA-TP	AWG#16-#20	3.30mm(max)	Phosphor Bronze	Tin over Nickel	5,000 PCS
C6351MA-GB	AWG#16-#20	3.30mm(max)	Brass	Gold over Nickel	5,000 PCS
C6351MA-GP	AWG#16-#20	3.30mm(max)	Phosphor Bronze	Gold over Nickel	5,000 PCS

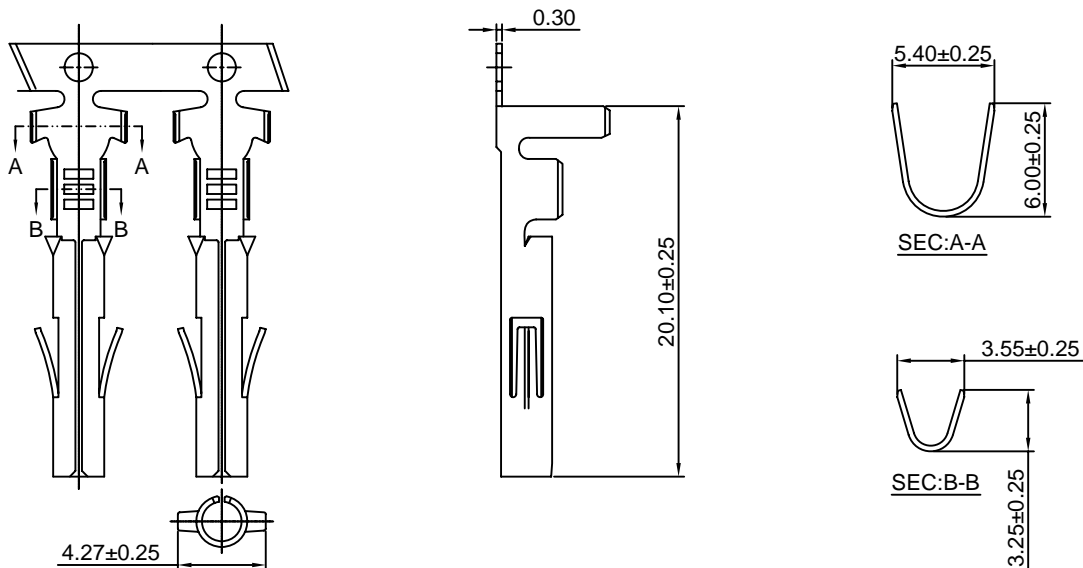
Optional Gold plating available but MOQ requested

C6351F-T-H

6.35mm pitch Crimp Terminal

Reference Informations:

*Used in CJT C6351HF or C6351HM series Housing



Ordering information & Specifications:

Unit:mm

Part NO.	Wire Range	Insulation O.D.	Material	Finish	Qty/reel
C6351F-TB-H	AWG#12-#14	4.30mm(max)	Brass	Tin over Nickel	2,500 PCS
C6351F-TP-H	AWG#12-#14	4.30mm(max)	Phosphor Bronze	Tin over Nickel	2,500 PCS
C6351F-GB-H	AWG#12-#14	4.30mm(max)	Brass	Gold over Nickel	2,500 PCS
C6351F-GP-H	AWG#12-#14	4.30mm(max)	Phosphor Bronze	Gold over Nickel	2,500 PCS

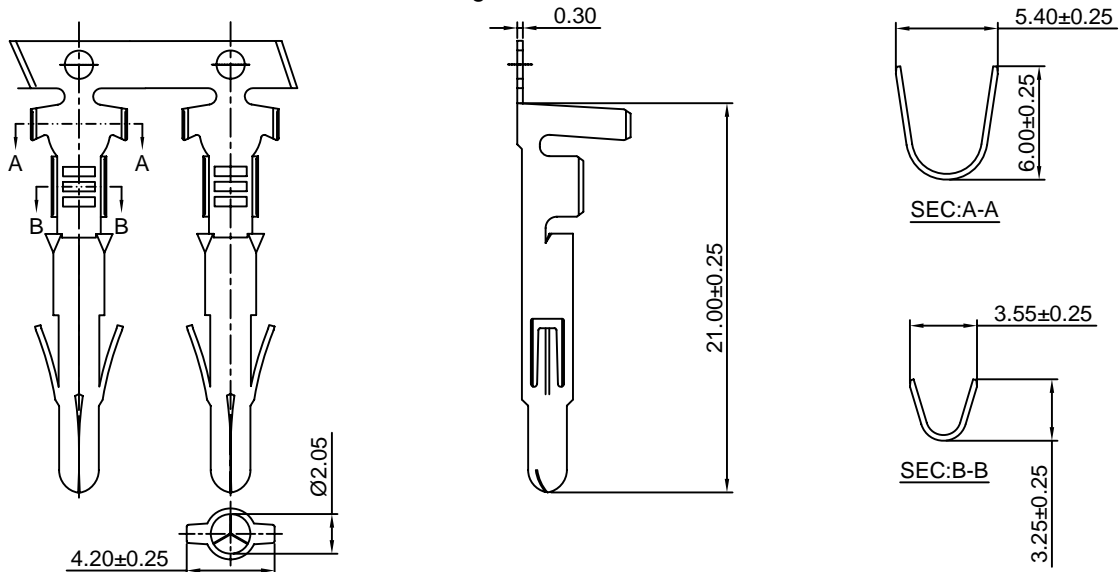
Optional Gold plating available but MOQ requested

C6351M-T-H

6.35mm pitch Crimp Terminal

Reference Informations:

*Used in CJT C6351HF or C6351HM series Housing



Ordering information & Specifications:

Unit:mm

Part NO.	Wire Range	Insulation O.D.	Material	Finish	Qty/reel
C6351M-TB-H	AWG#12-#14	4.30mm(max)	Brass	Tin over Nickel	2,500 PCS
C6351M-TP-H	AWG#12-#14	4.30mm(max)	Phosphor Bronze	Tin over Nickel	2,500 PCS
C6351M-GB-H	AWG#12-#14	4.30mm(max)	Brass	Gold over Nickel	2,500 PCS
C6351M-GP-H	AWG#12-#14	4.30mm(max)	Phosphor Bronze	Gold over Nickel	2,500 PCS

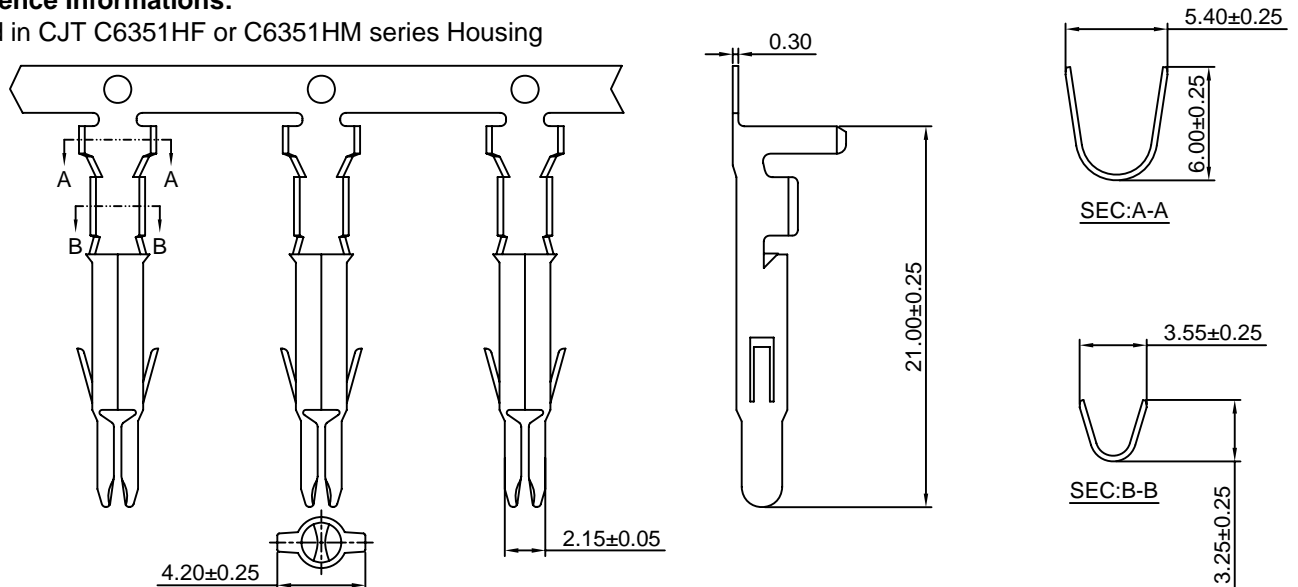
Optional Gold plating available but MOQ requested

C6351MA-T-H

6.35mm pitch Crimp Terminal

Reference Informations:

*Used in CJT C6351HF or C6351HM series Housing



Ordering information & Specifications:

Unit:mm

Part NO.	Wire Range	Insulation O.D.	Material	Finish	Qty/reel
C6351MA-TB-H	AWG#12-#14	4.30mm(max)	Brass	Tin over Nickel	2,500 PCS
C6351MA-TP-H	AWG#12-#14	4.30mm(max)	Phosphor Bronze	Tin over Nickel	2,500 PCS
C6351MA-GB-H	AWG#12-#14	4.30mm(max)	Brass	Gold over Nickel	2,500 PCS
C6351MA-GP-H	AWG#12-#14	4.30mm(max)	Phosphor Bronze	Gold over Nickel	2,500 PCS

Optional Gold plating available but MOQ requested

C6351H

6.35mm pitch Single Row Housing

Reference Informations:

- *Material: Nylon 66, UL94V-2 or UL94V-0
- *Suitable CJT C6351F or C6351M series Terminal
- *Mates with CJT C6351 series Single row Housing or C6351 series Single row Wafer
- *Color: Natural

Ordering Information:

C6351HF<HFA>-XP - **
1 2

1. Part No.
2. Material:
(blank): UL94V-2/Natural
V0: UL94V-0/White

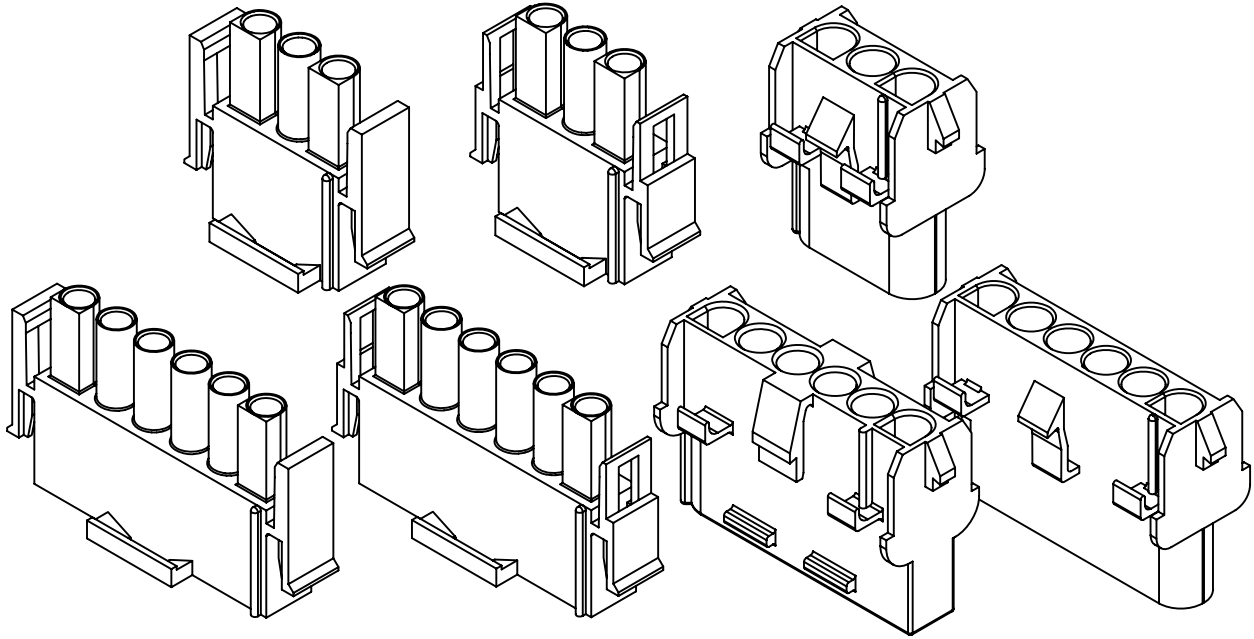
Ordering Information:

C6351HM-XP - **
1 2

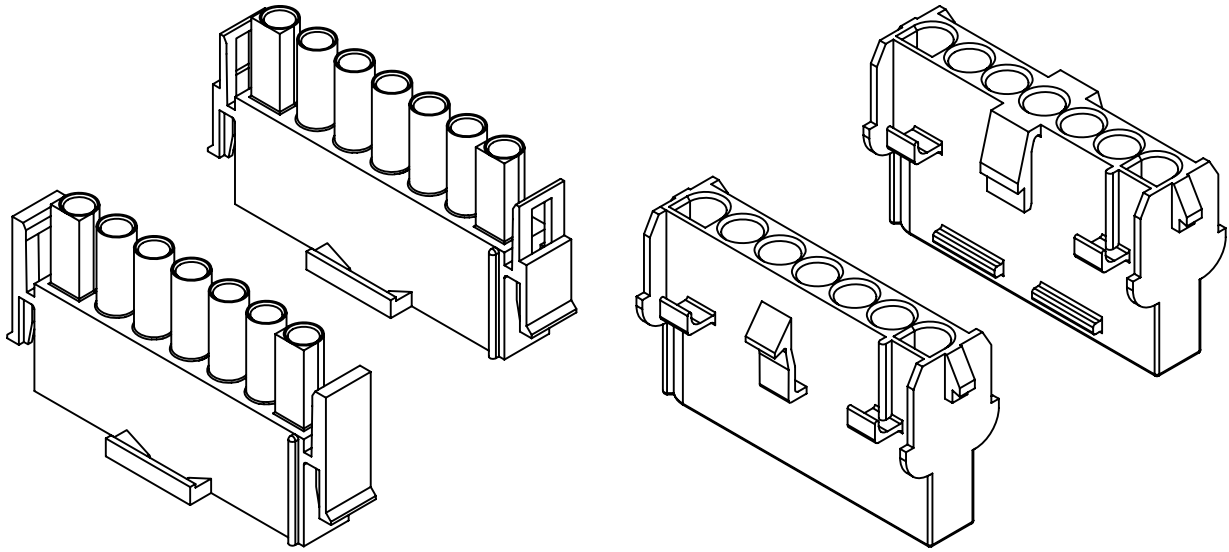
1. Part No.
2. Material:
(blank): UL94V-2/Natural
V0: UL94V-0/White

C6351HF<HFA>	C6351HM
<p>C6351HF-1P</p>	<p>C6351HM-1P</p>
<p>C6351HF-2P</p>	<p>C6351HM-2P</p>
<p>C6351HFA-2P</p>	
<p>C6351HF-3P</p>	<p>C6351HM-3P</p>
<p>C6351HFA-3P</p>	

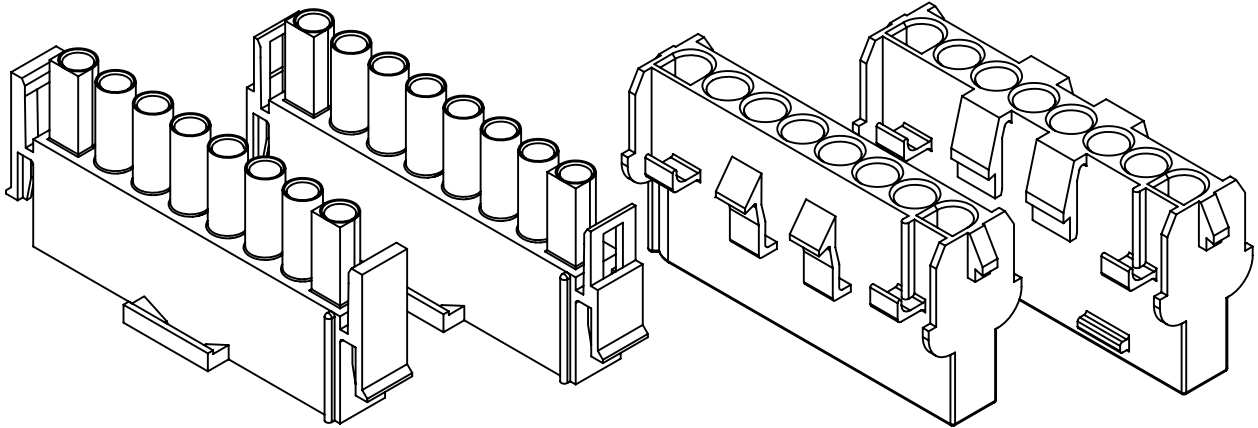
C6351HF<HFA>	C6351HM
<p><u>C6351HF-4P</u></p>	<p><u>C6351HM-4P</u></p>
<p><u>C6351HFA-4P</u></p>	
<p><u>C6351HF-5P</u></p>	<p><u>C6351HM-5P</u></p>
<p><u>C6351HFA-5P</u></p>	



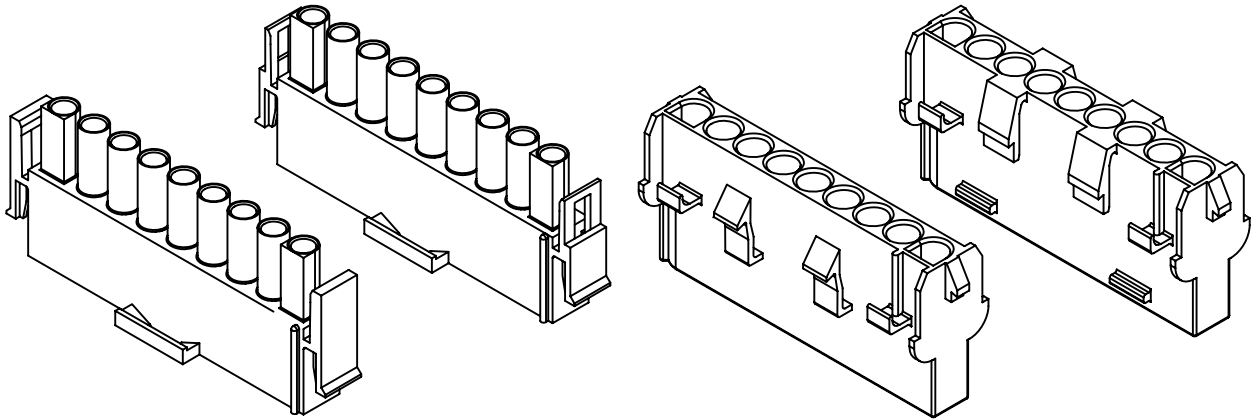
C6351HF<HFA>	C6351HM<HMA>
<p>C6351HF-6P</p>	<p>C6351HM-6P</p>
<p>C6351HFA-6P</p>	<p>C6351HMA-6P</p>



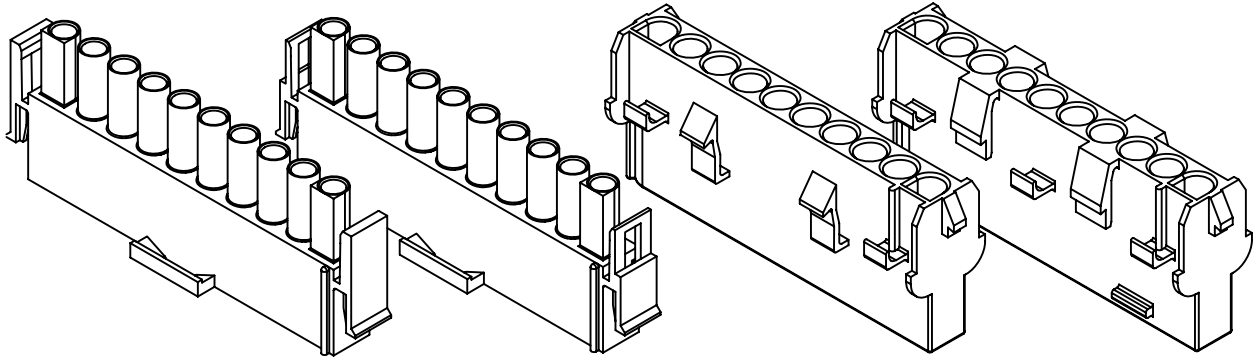
C6351HF<HFA>	C6351HM<HMA>
<p><u>C6351HF-7P</u></p>	<p><u>C6351HM-7P</u></p>
<p><u>C6351HFA-7P</u></p>	<p><u>C6351HMA-7P</u></p>

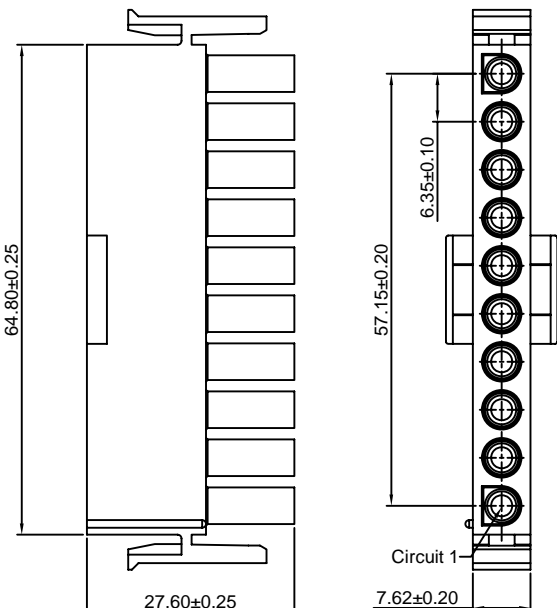
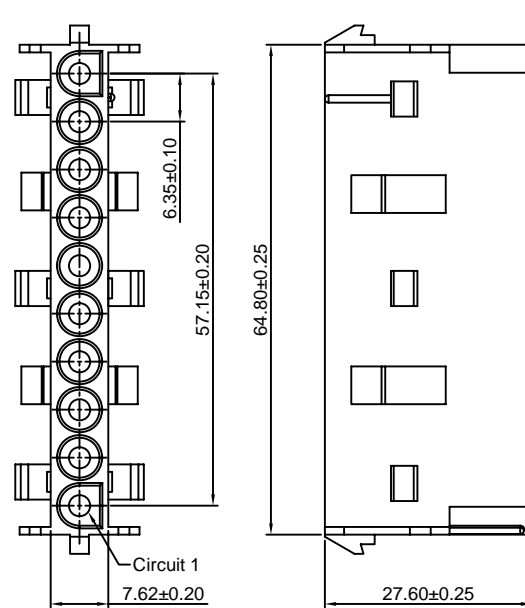
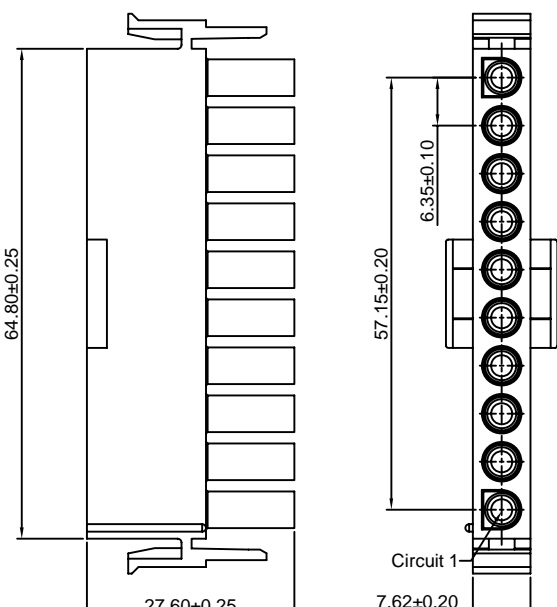
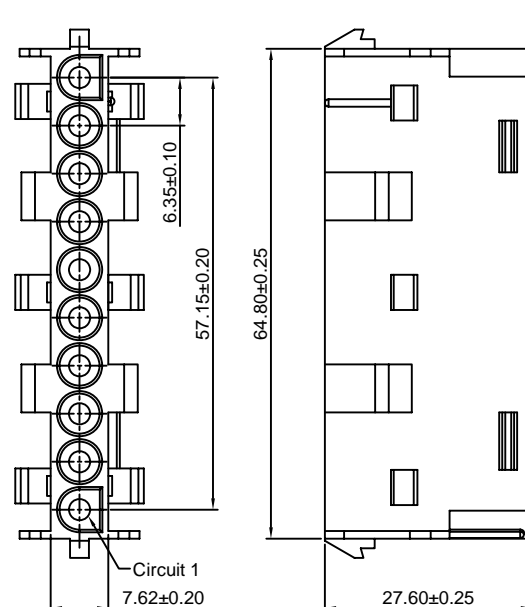


C6351HF<HFA>	C6351HM<HMA>
<p><u>C6351HF-8P</u></p>	<p><u>C6351HM-8P</u></p>
<p><u>C6351HFA-8P</u></p>	<p><u>C6351HMA-8P</u></p>



C6351HF<HFA>	C6351HM<HMA>
<p><u>C6351HF-9P</u></p>	<p><u>C6351HM-9P</u></p>
<p><u>C6351HFA-9P</u></p>	<p><u>C6351HMA-9P</u></p>



C6351HF<HFA>	C6351HM<HMA>
<p data-bbox="124 651 293 680"><u>C6351HF-10P</u></p>  <p data-bbox="159 929 183 1030">64.80±0.25</p> <p data-bbox="295 1276 399 1299">27.60±0.25</p> <p data-bbox="526 929 550 1030">57.15±0.20</p> <p data-bbox="574 828 598 918">6.35±0.10</p> <p data-bbox="526 1232 622 1254">Circuit 1</p> <p data-bbox="526 1299 622 1321">7.62±0.20</p>	<p data-bbox="828 651 997 680"><u>C6351HM-10P</u></p>  <p data-bbox="1029 828 1053 918">6.35±0.10</p> <p data-bbox="1061 929 1085 1030">57.15±0.20</p> <p data-bbox="1125 929 1149 1030">64.80±0.25</p> <p data-bbox="997 1232 1093 1254">Circuit 1</p> <p data-bbox="997 1299 1093 1321">7.62±0.20</p> <p data-bbox="1252 1276 1356 1299">27.60±0.25</p>
<p data-bbox="124 1361 309 1391"><u>C6351HFA-10P</u></p>  <p data-bbox="159 1635 183 1736">64.80±0.25</p> <p data-bbox="295 1982 399 2004">27.60±0.25</p> <p data-bbox="526 1635 550 1736">57.15±0.20</p> <p data-bbox="574 1534 598 1624">6.35±0.10</p> <p data-bbox="526 1937 622 1960">Circuit 1</p> <p data-bbox="526 1982 622 2004">7.62±0.20</p>	<p data-bbox="828 1361 1013 1391"><u>C6351HMA-10P</u></p>  <p data-bbox="1029 1534 1053 1624">6.35±0.10</p> <p data-bbox="1061 1635 1085 1736">57.15±0.20</p> <p data-bbox="1125 1635 1149 1736">64.80±0.25</p> <p data-bbox="997 1937 1093 1960">Circuit 1</p> <p data-bbox="997 1982 1093 2004">7.62±0.20</p> <p data-bbox="1252 1982 1356 2004">27.60±0.25</p>

C6351H-3

6.35mm pitch Single Row Housing

Reference Informations:

- *Material: Nylon 66, UL94V-2 or UL94V-0
- *Suitable CJT C6351F or C6351M series Terminal
- *Mates with CJT C6351 series triple row Housing or C6351 series triple row Wafer
- *Color: Natural

Ordering Information:

C6351HF<HFA>-3xXP - **
1 2

1. Part No.
2. Material:
(blank): UL94V-2/Natural
V0: UL94V-0/White

Ordering Information:

C6351HM-3xXP - **
1 2

1. Part No.
2. Material:
(blank): UL94V-2/Natural
V0: UL94V-0/White

C6351HF<HFA>-3xXP	C6351HM-3xXP
<p><u>C6351HF-3x2P</u></p>	<p><u>C6351HM-3x2P</u></p>
<p><u>C6351HFA-3x2P</u></p>	
<p><u>C6351HF-3x3P</u></p>	<p><u>C6351HM-3x3P</u></p>
<p><u>C6351HFA-3x3P</u></p>	



C6351H-3

6.35mm pitch Single Row Housing

Reference Informations:

- *Material:Nylon 66,UL94V-2 or UL94V-0
- *Suitable CJT C6351F or C6351M series Terminal
- *Mates with CJT C6351 series triple row Housing or C6351 series triple row Wafer
- *Color:Natural

Ordering Information:

C6351HF<HFA>-3xXP - **

- | | |
|-------------------------|---|
| 1 | 2 |
| 1.Part No. | |
| 2.Material: | |
| (blank):UL94V-2/Natural | |
| V0:UL94V-0/White | |

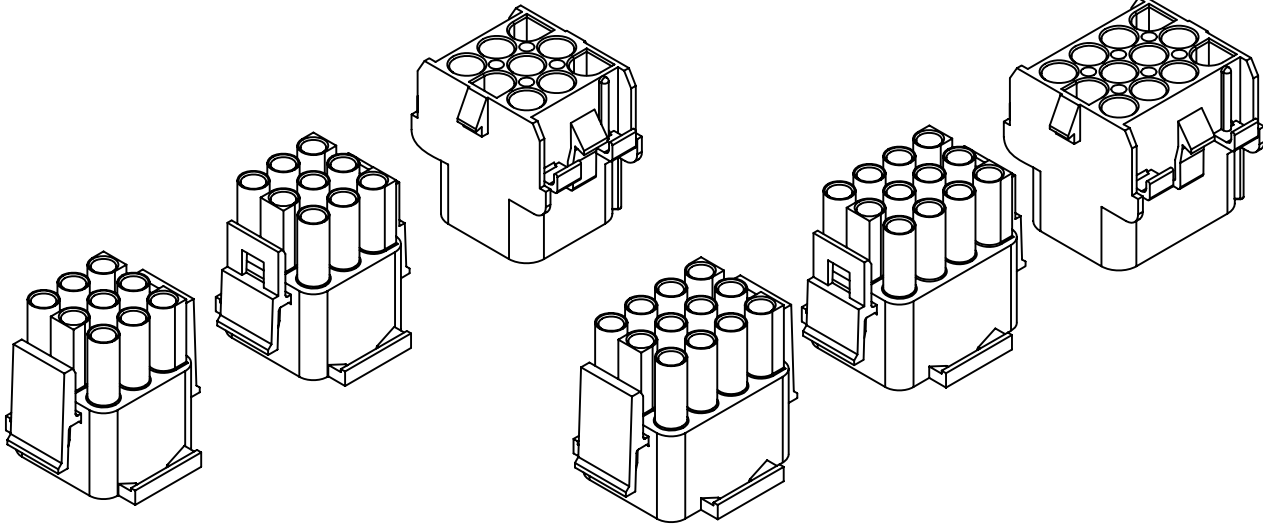
Ordering Information:

C6351HM-3xXP - **

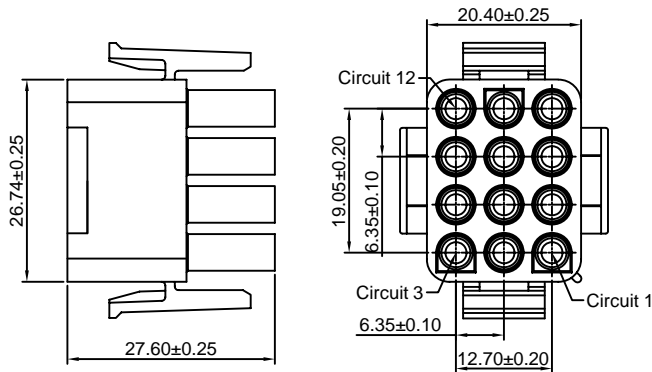
- | | |
|-------------------------|---|
| 1 | 2 |
| 1.Part No. | |
| 2.Material: | |
| (blank):UL94V-2/Natural | |
| V0:UL94V-0/White | |

C6351HF<HFA>-3xXP

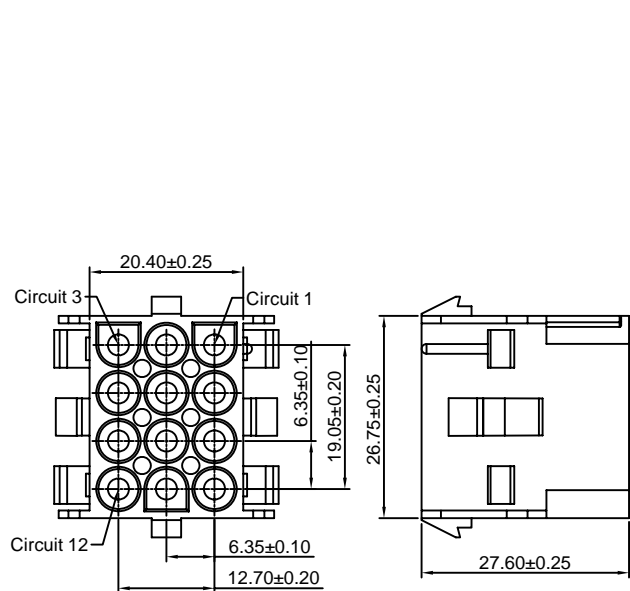
C6351HM-3xXP



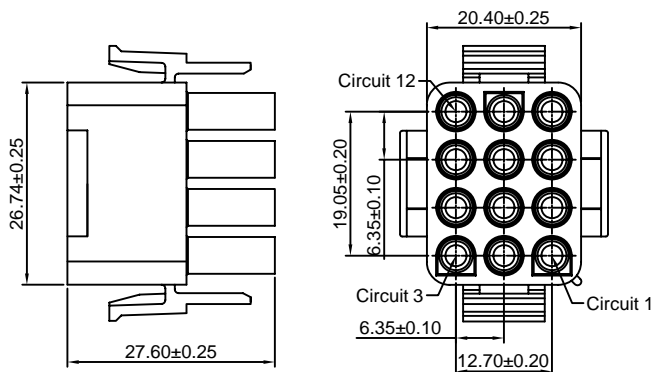
C6351HF-3x4P



C6351HM-3x4P



C6351HFA-3x4P





C6351H-3

6.35mm pitch Single Row Housing

Reference Informations:

- *Material: Nylon 66, UL94V-2 or UL94V-0
- *Suitable CJT C6351F or C6351M series Terminal
- *Mates with CJT C6351 series triple row Housing or C6351 series triple row Wafer
- *Color: Natural

Ordering Information:

C6351HF<HFA>-3xXP - **
1 2

- 1. Part No.
- 2. Material:
(blank): UL94V-2/Natural
V0: UL94V-0/White

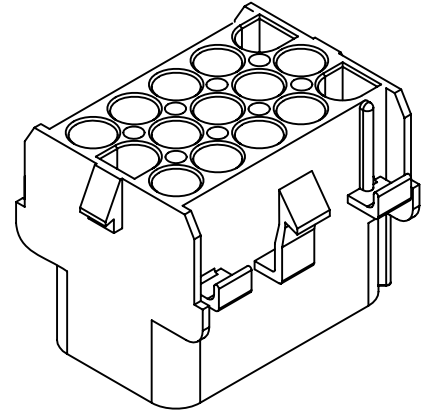
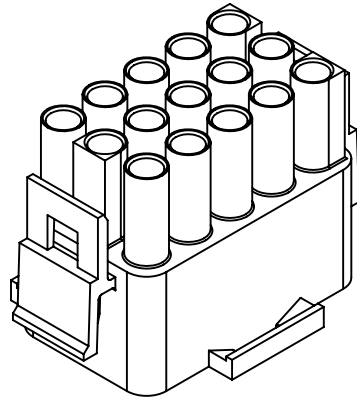
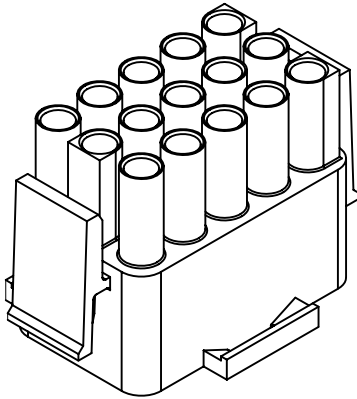
Ordering Information:

C6351HM-3xXP - **
1 2

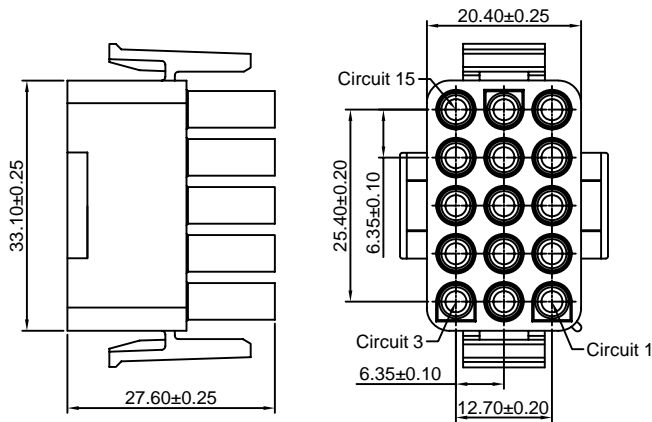
- 1. Part No.
- 2. Material:
(blank): UL94V-2/Natural
V0: UL94V-0/White

C6351HF<HFA>-3xXP

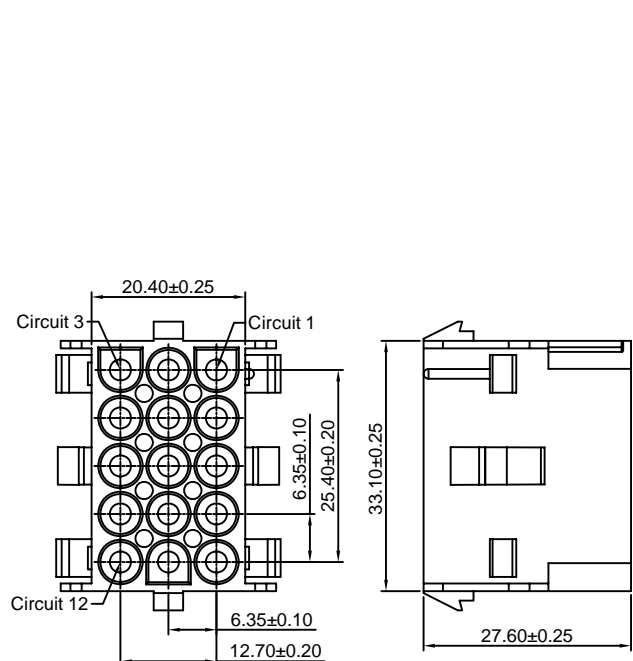
C6351HM-3xXP



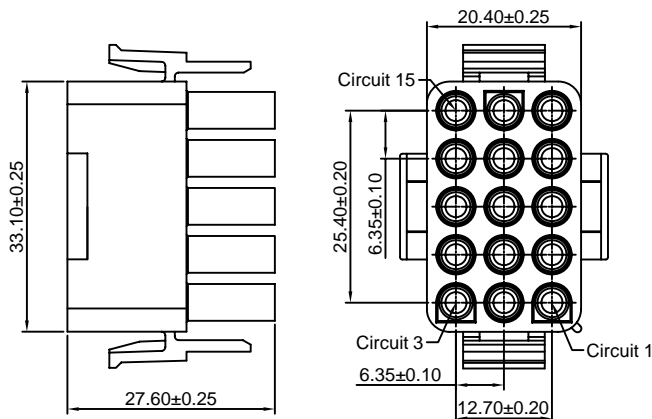
C6351HF-3x5P



C6351HM-3x5P



C6351HFA-3x5P



C6351WV-M

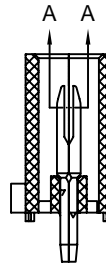
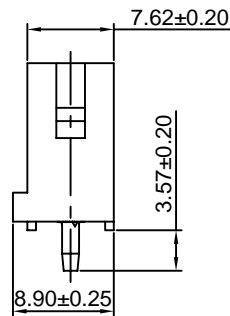
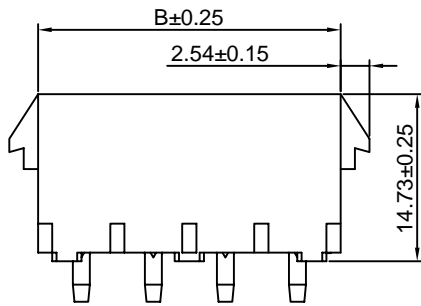
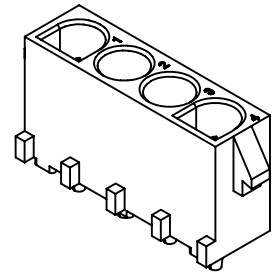
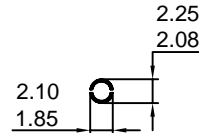
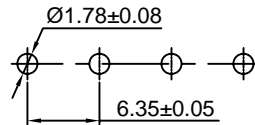
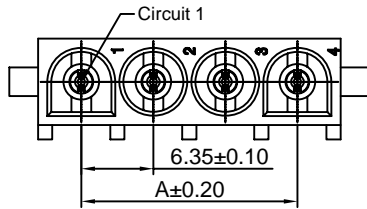
6.35mm pitch 180° Single Row Wafer-MALE TYPE

Reference Informations:

- *Material: Pin: Brass/Tin over Nickel
Insulator: Nylon 66, UL94V-2 or UL94V-0
- *Mates with CJT C6351HF series single row Housing
- *Color: Natural

Ordering Information:
C6351WV-XP-M - **

1. Part No.
2. Material:
(blank): UL94V-2 / Natural
V0: UL94V-0 / White



Ordering Information & Dimensions:

PART NO.	Dimensions	
	A	B
C6351WV-2P-M	6.35	13.97
C6351WV-3P-M	12.70	20.32
C6351WV-4P-M	19.05	26.67
C6351WV-5P-M	25.40	33.02
C6351WV-6P-M	31.75	39.37
C6351WV-7P-M	38.10	45.72
C6351WV-8P-M	44.45	52.07
C6351WV-9P-M	31.75	58.42
C6351WV-10P-M	44.45	64.77

Unit: mm

C6351WV-F

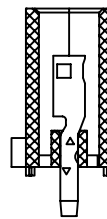
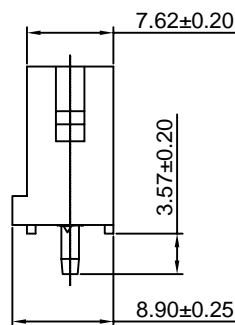
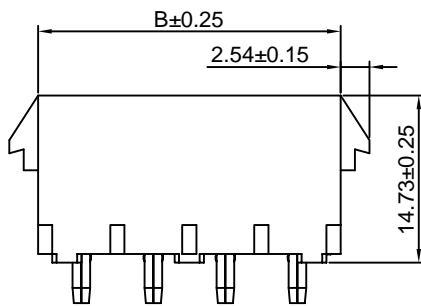
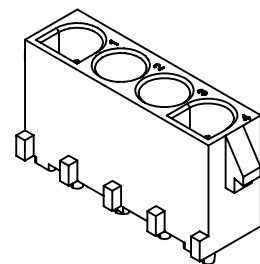
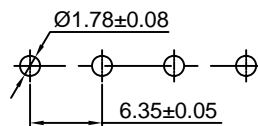
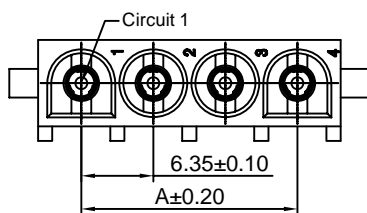
6.35mm pitch 180° Single Row Wafer-Female Type

Reference Informations:

- *Material: Pin: Brass/Tin over Nickel
Insulator: Nylon 66, UL94V-2 or UL94V-0
- *Mates with CJT C6351HF series single row Housing
- *Color: Natural

Ordering Information:
C6351WV-XP-F - **

1. Part No.
2. Material:
(blank): UL94V-2 / Natural
V0: UL94V-0 / White



Ordering Information & Dimensions:

PART NO.	Dimensions	
	A	B
C6351WV-2P-F	6.35	13.97
C6351WV-3P-F	12.70	20.32
C6351WV-4P-F	19.05	26.67
C6351WV-5P-F	25.40	33.02
C6351WV-6P-F	31.75	39.37
C6351WV-7P-F	38.10	45.72
C6351WV-8P-F	44.45	52.07
C6351WV-9P-F	50.80	58.42
C6351WV-10P-F	57.15	64.77

Unit: mm

C6351WV-R

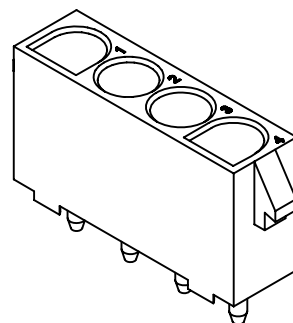
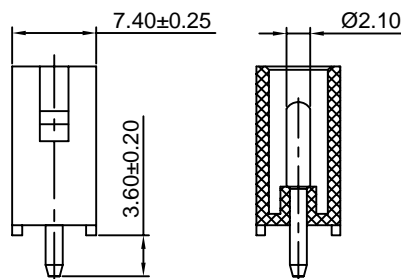
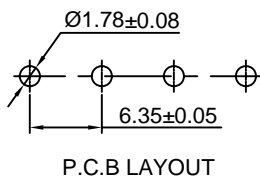
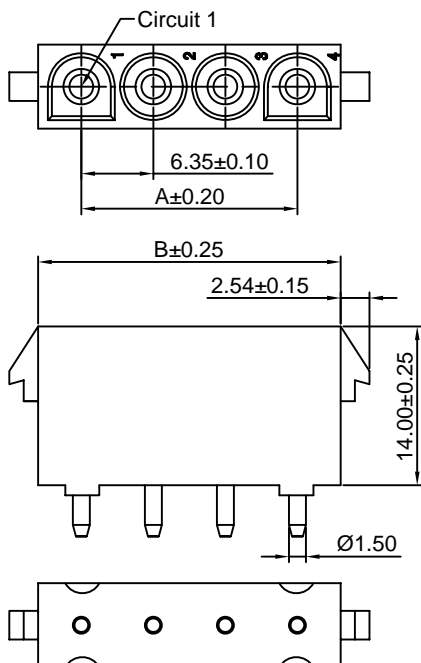
6.35mm pitch 180° Single Row Wafer, Round Pin-MALE TYPE

Reference Informations:

- *Material: Pin: Brass/Silver over Nickel
Insulator: Nylon 66, UL94V-2 or UL94V-0
- *Mates with CJT C6351HF series single row Housing
- *Color: Natural

Ordering Information:

- C6351WV-XP-R - **
- | | |
|---|---|
| 1 | 2 |
|---|---|
- Part No.
 - Material:
(blank): UL94V-2 / Natural
V0: UL94V-0 / White



Ordering Information & Dimensions:

PART NO.	Dimensions	
	A	B
C6351WV-2P-R	6.35	13.97
C6351WV-3P-R	12.70	20.32
C6351WV-4P-R	19.05	26.67
C6351WV-5P-R	25.40	33.02
C6351WV-6P-R	31.75	39.37
C6351WV-7P-R	38.10	45.72
C6351WV-8P-R	44.45	52.07
C6351WV-9P-R	50.80	58.42
C6351WV-10P-R	57.15	64.77

Unit: mm

C6351WV-F-M

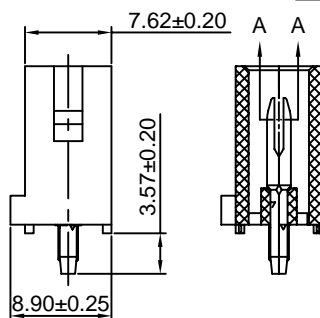
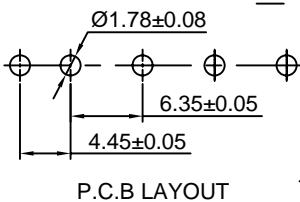
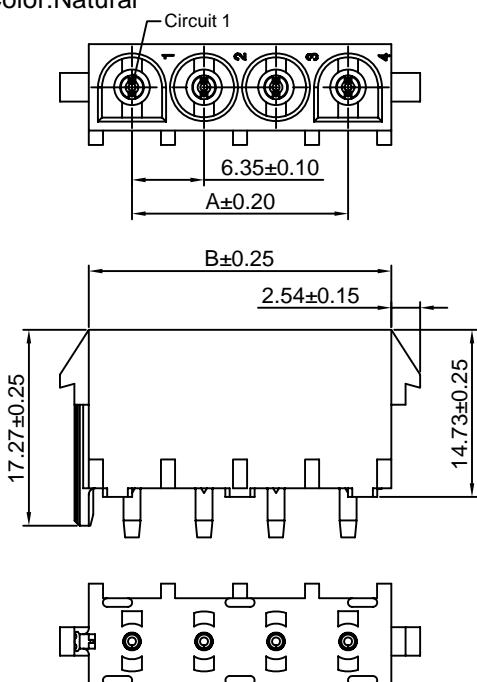
6.35mm pitch 180° Single Row Wafer Polarizing Peg-MALE TYPE

Reference Informations:

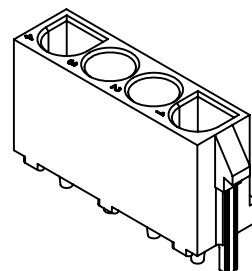
- *Material: Pin: Brass/Tin over Nickel
Insulator: Nylon 66, UL94V-2 or UL94V-0
- *Mates with CJT C6351HF series single row Housing
- *Color: Natural

Ordering Information:

- C6351WV-F-XP-M - **
- | | |
|---|---|
| 1 | 2 |
|---|---|
- Part No.
 - Material:
(blank): UL94V-2 / Natural
V0: UL94V-0 / White



SEC: A-A



Ordering Information & Dimensions:

PART NO.	Dimensions	
	A	B
C6351WV-F-2P-M	6.35	13.97
C6351WV-F-3P-M	12.70	20.32
C6351WV-F-4P-M	19.05	26.67
C6351WV-F-5P-M	25.40	33.02
C6351WV-F-6P-M	31.75	39.37
C6351WV-F-7P-M	38.10	45.72
C6351WV-F-8P-M	44.45	52.07
C6351WV-F-9P-M	50.80	58.42
C6351WV-F-10P-M	57.15	64.77

Unit: mm

C6351WV-F-F

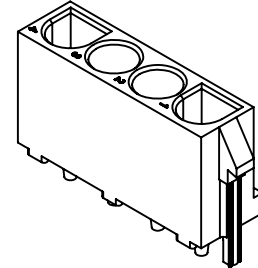
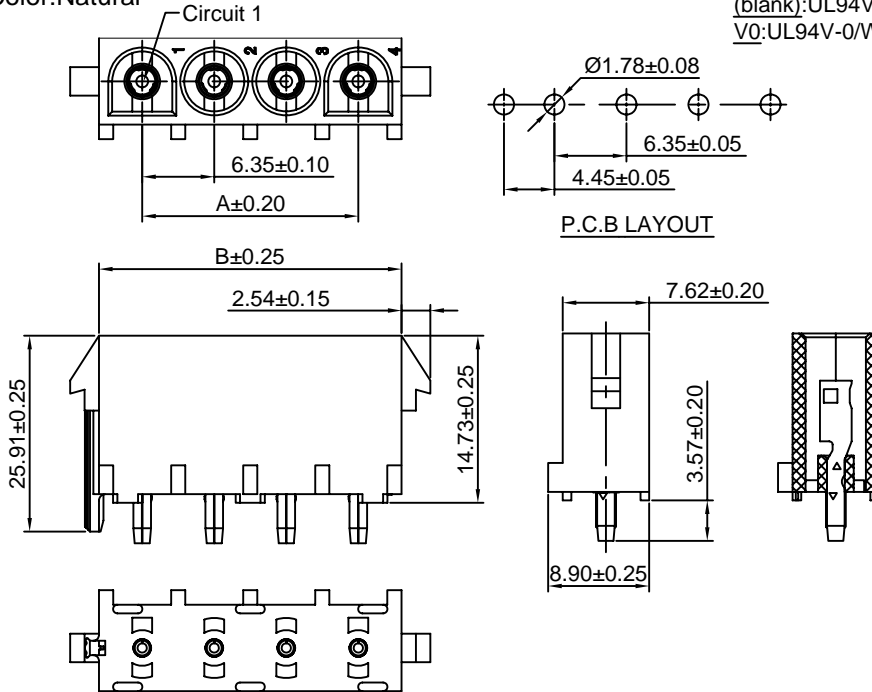
6.35mm pitch 180° Single Row Wafer with Polarizing Peg-Female Type

Reference Informations:

- *Material: Pin: Brass/Tin over Nickel
Insulator: Nylon 66, UL94V-2 or UL94V-0
- *Mates with CJT C6351HF series single row Housing
- *Color: Natural

Ordering Information:
C6351WV-F-XP-F - **
1 2

- 1. Part No.
- 2. Material:
(blank): UL94V-2 / Natural
V0: UL94V-0 / White



Ordering Information & Dimensions:

PART NO.	Dimensions	
	A	B
C6351WV-F-2P-F	6.35	13.97
C6351WV-F-3P-F	12.70	20.32
C6351WV-F-4P-F	19.05	26.67
C6351WV-F-5P-F	25.40	33.02
C6351WV-F-6P-F	31.75	39.37
C6351WV-F-7P-F	38.10	45.72
C6351WV-F-8P-F	44.45	52.07
C6351WV-F-9P-F	50.80	58.42
C6351WV-F-10P-F	57.15	64.77

Unit: mm

C6351WV-3-M

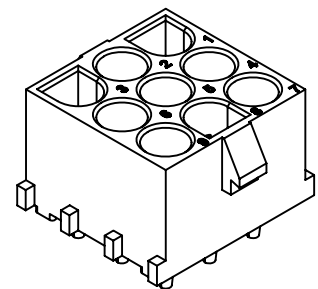
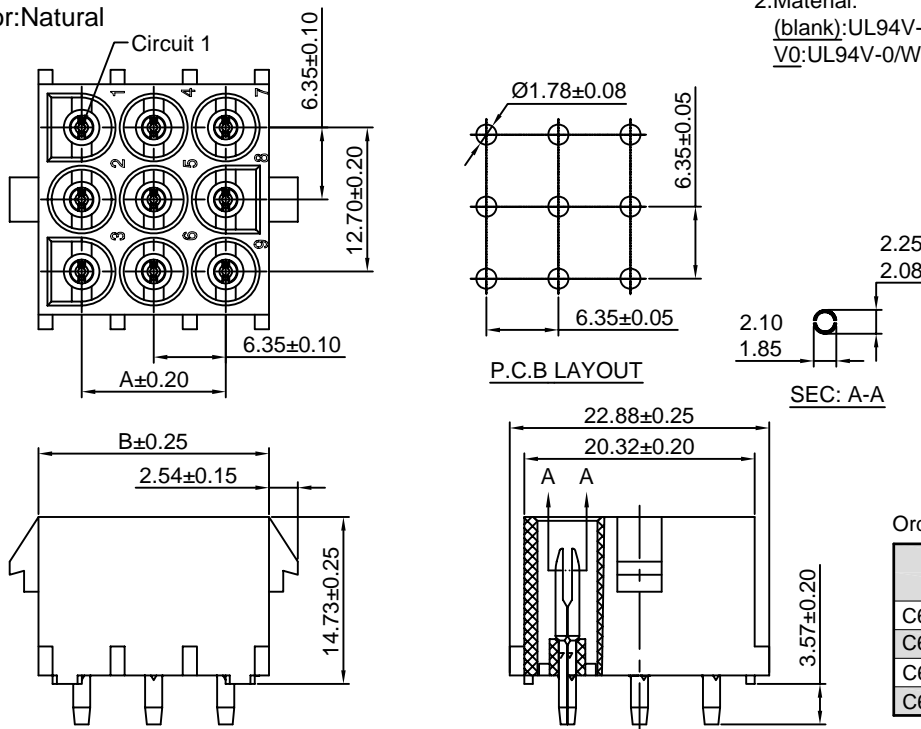
6.35mm pitch 180° Triple Row Wafer-MALE TYPE

Reference Informations:

- *Material: Pin: Brass/Tin over Nickel
Insulator: Nylon 66, UL94V-2 or UL94V-0
- *Mates with CJT C6351HF series triple row Housing
- *Color: Natural

Ordering Information:
C6351WV-3xXP-M - **
1 2

- 1. Part No.
- 2. Material:
(blank): UL94V-2 / Natural
V0: UL94V-0 / White



Ordering Information & Dimensions:

PART NO.	Dimensions	
	A	B
C6351WV-3X2P-M	6.35	13.97
C6351WV-3X3P-M	12.70	20.32
C6351WV-3X4P-M	19.05	26.67
C6351WV-3X5P-M	25.40	33.02

Unit: mm

C6351WV-3-F

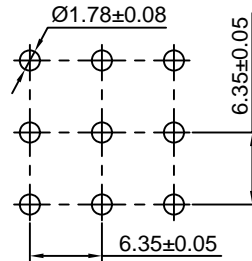
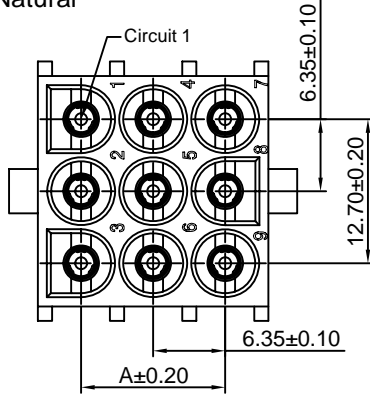
6.35mm pitch 180° Triple Row Wafer-Female Type

Reference Informations:

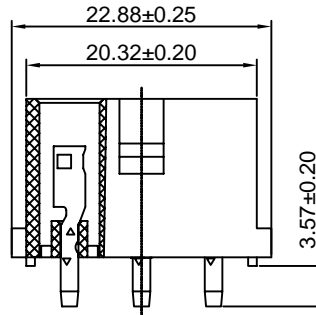
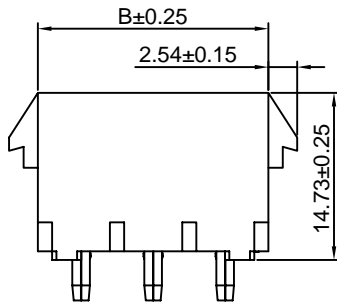
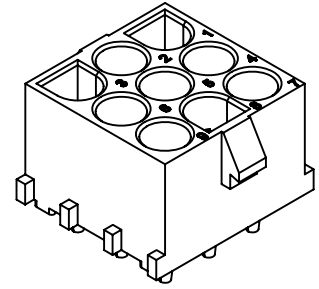
- *Material: Pin: Brass/Tin over Nickel
Insulator: Nylon 66, UL94V-2 or UL94V-0
- *Mates with CJT C6351HF series triple row Housing
- *Color: Natural

Ordering Information:

- C6351WV-3xXP-F - **
- | | |
|----------------------------|---|
| 1 | 2 |
| 1. Part No. | |
| 2. Material: | |
| (blank): UL94V-2 / Natural | |
| V0: UL94V-0 / White | |



P.C.B LAYOUT



Ordering Information & Dimensions:

PART NO.	Dimensions	
	A	B
C6351WV-3X2P-F	6.35	13.97
C6351WV-3X3P-F	12.70	20.32
C6351WV-3X4P-F	19.05	26.67
C6351WV-3X5P-F	25.40	33.02

Unit: mm

C6351WV-3-R

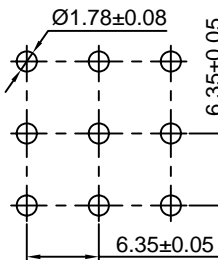
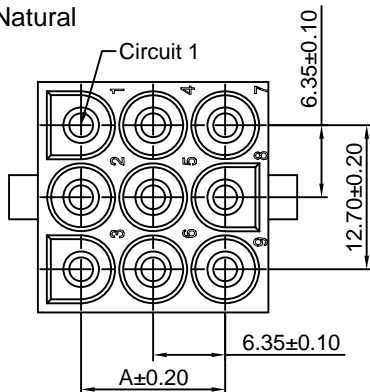
6.35mm pitch 180° Triple Row Wafer, Round Pin-Male Type

Reference Informations:

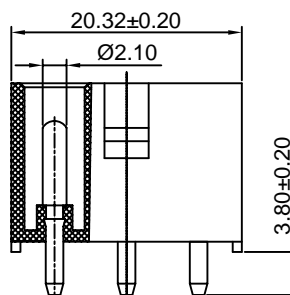
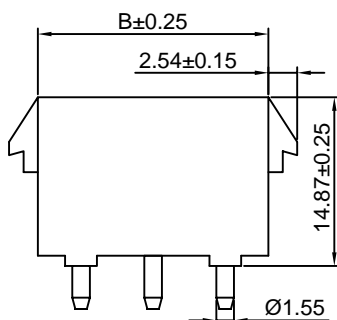
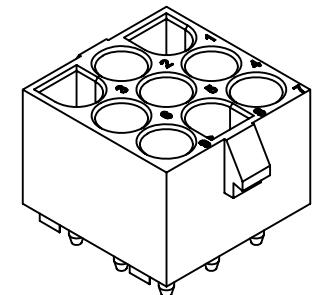
- *Material: Pin: Brass/Silver over Nickel
Insulator: Nylon 66, UL94V-2 or UL94V-0
- *Mates with CJT C6351HF series triple row Housing
- *Color: Natural

Ordering Information:

- C6351WV-3xXP-R - **
- | | |
|----------------------------|---|
| 1 | 2 |
| 1. Part No. | |
| 2. Material: | |
| (blank): UL94V-2 / Natural | |
| V0: UL94V-0 / White | |



P.C.B LAYOUT



Ordering Information & Dimensions:

PART NO.	Dimensions	
	A	B
C6351WV-3X2P-R	6.35	13.97
C6351WV-3X3P-R	12.70	20.32
C6351WV-3X4P-R	19.05	26.67
C6351WV-3X5P-R	25.40	33.02

Unit: mm

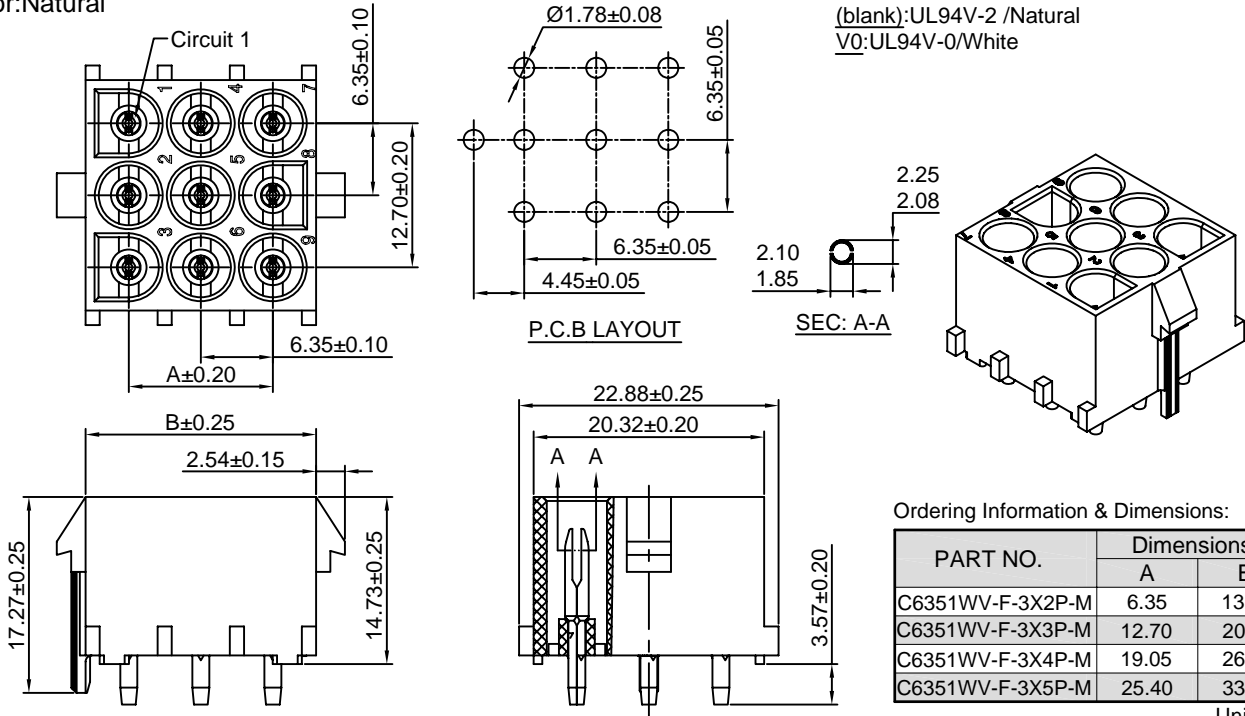
C6351WV-F-3-M

6.35mm pitch 180° Triple Row Wafer Polarizing Peg-Male Type

Reference Informations:

- *Material: Pin: Brass/Tin over Nickel
Insulator: Nylon 66, UL94V-2 or UL94V-0
- *Mates with CJT C6351HF series triple row Housing
- *Color: Natural

Ordering Information:
C6351WV-F-3xXP-M - **
1 2
1.Part No.
2.Material:
(blank):UL94V-2 /Natural
V0:UL94V-0/White



Ordering Information & Dimensions:

PART NO.	Dimensions	
	A	B
C6351WV-F-3X2P-M	6.35	13.97
C6351WV-F-3X3P-M	12.70	20.32
C6351WV-F-3X4P-M	19.05	26.67
C6351WV-F-3X5P-M	25.40	33.02

Unit: mm

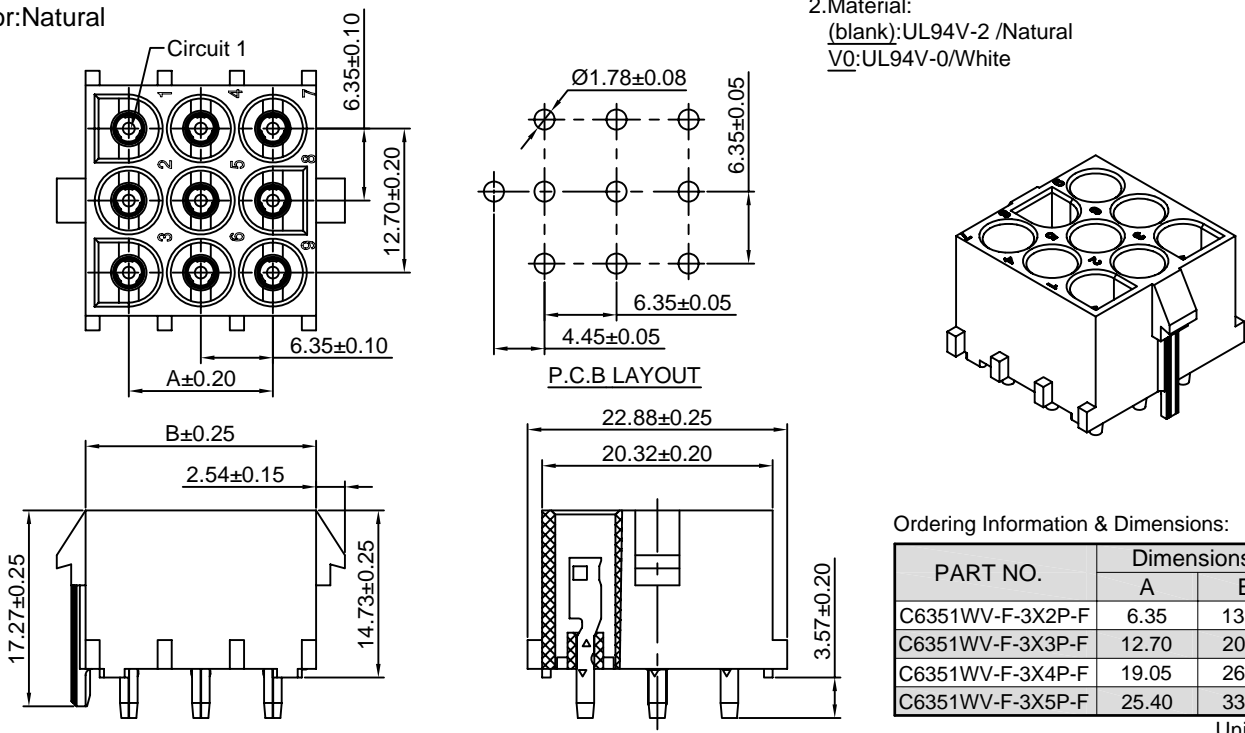
C6351WV-F-3-F

6.35mm pitch 180° Triple Row Wafer with Polarizing Peg-Female Type

Reference Informations:

- *Material: Pin: Brass/Tin over Nickel
Insulator: Nylon 66, UL94V-2 or UL94V-0
- *Mates with CJT C6351HF series triple row Housing
- *Color: Natural

Ordering Information:
C6351WV-F-3xXP-F - **
1 2
1.Part No.
2.Material:
(blank):UL94V-2 /Natural
V0:UL94V-0/White



Ordering Information & Dimensions:

PART NO.	Dimensions	
	A	B
C6351WV-F-3X2P-F	6.35	13.97
C6351WV-F-3X3P-F	12.70	20.32
C6351WV-F-3X4P-F	19.05	26.67
C6351WV-F-3X5P-F	25.40	33.02

Unit: mm

C6351WR-M

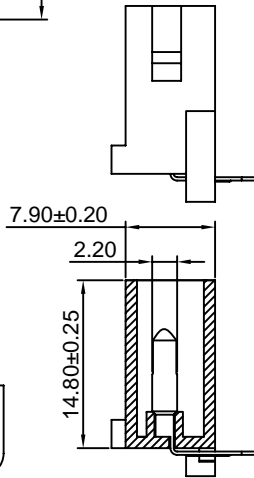
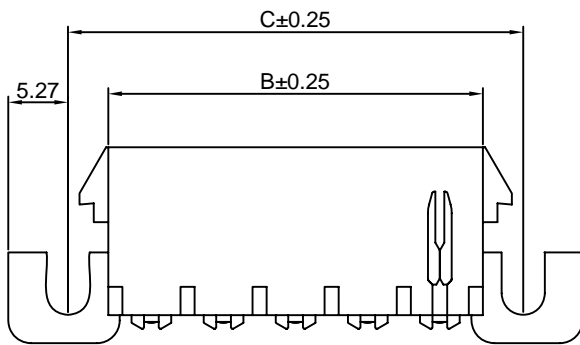
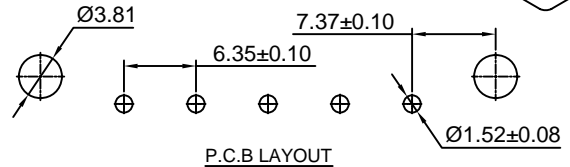
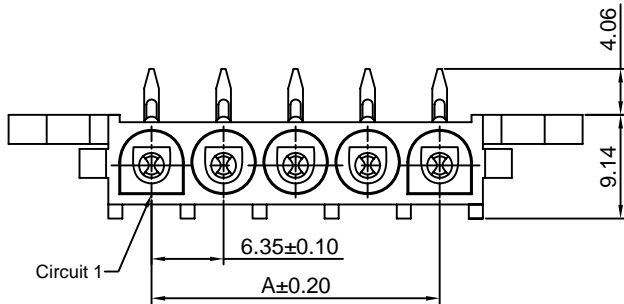
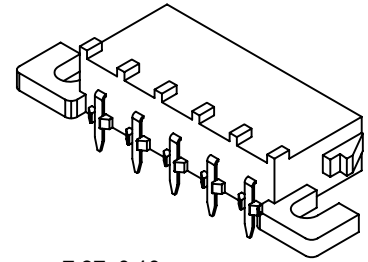
6.35mm Pitch 90° Single Row Wafer-Male Type

Reference Informations:

- *Material: Pin: Brass/Tin over Nickel
Insulator: Nylon 66, UL94V-2 or UL94V-0
- *Mates with CJT C6351HF series single row Housing
- *Color: Natural

Ordering Information:
C6351WR-XP-M - **

1. Part No.
2. Material:
(blank): UL94V-2 / Natural
V0: UL94V-0 / White



Ordering Information & Dimensions:

PART NO.	Dimensions		
	A	B	C
C6351WR-2P-M	6.35	13.97	21.08
C6351WR-3P-M	12.70	20.32	27.43
C6351WR-4P-M	19.05	26.67	33.78
C6351WR-5P-M	25.40	33.02	40.13
C6351WR-6P-M	31.75	39.37	46.48
C6351WR-7P-M	38.10	45.72	52.83
C6351WR-8P-M	44.45	52.07	59.18
C6351WR-9P-M	50.80	58.42	65.53
C6351WR-10P-M	57.15	64.77	71.88

Unit: mm

C6351WR-F

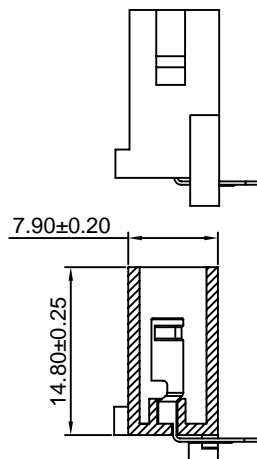
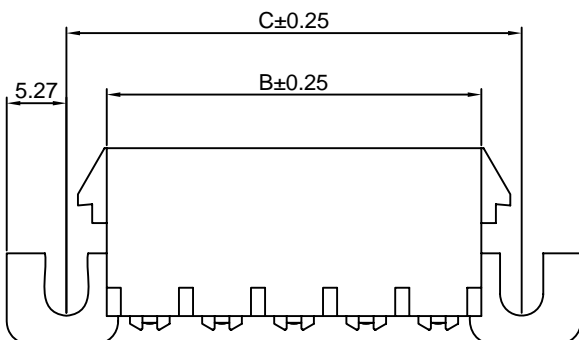
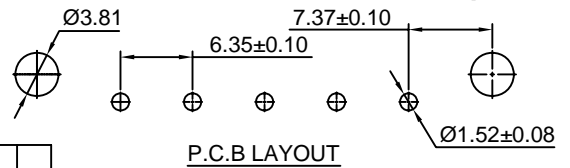
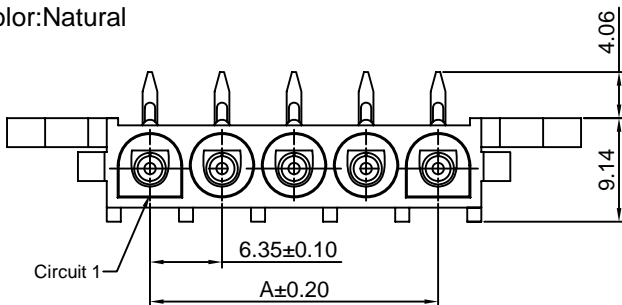
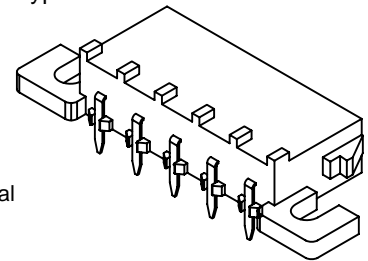
6.35mm Pitch 90° Single Row Wafer-Female Type

Reference Informations:

- *Material: Pin: Brass/Tin over Nickel
Insulator: Nylon 66, UL94V-2 or UL94V-0
- *Mates with CJT C6351HF series single row Housing
- *Color: Natural

Ordering Information:

- C6351WR-XP-F - **
1. Part No.
 2. Material:
(blank): UL94V-2 / Natural
V0: UL94V-0 / White



Ordering Information & Dimensions:

PART NO.	Dimensions		
	A	B	C
C6351WR-2P-F	6.35	13.97	21.08
C6351WR-3P-F	12.70	20.32	27.43
C6351WR-4P-F	19.05	26.67	33.78
C6351WR-5P-F	25.40	33.02	40.13
C6351WR-6P-F	31.75	39.37	46.48
C6351WR-7P-F	38.10	45.72	52.83
C6351WR-8P-F	44.45	52.07	59.18
C6351WR-9P-F	50.80	58.42	65.53
C6351WR-10P-F	57.15	64.77	71.88

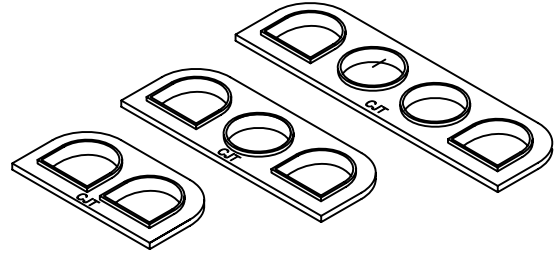
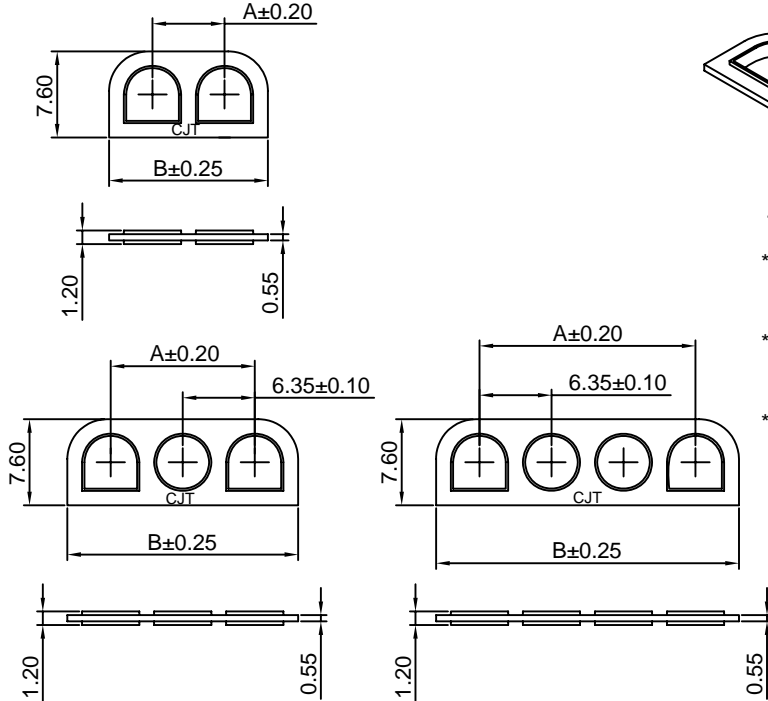
Unit: mm

C6351HFI

6.35mm Pitch Interface Seal

Reference Informations:

- *Material:Silicone rubber
- *Used in CJT C6351HF series Housing
- *Color:Blue



Technical Requirements:

- *2.79mm-3.30mm insulation diameter passed European IP sealing level #5/7(swirling dust/immersion to 1 meter for 30 minutes)
- *1.52mm-2.79mm insulation diameter passed European IP sealing level #5/6(swirling dust/heavy seas)
- *Wire AWG range is #20-14 with insulation diameter range 1.52mm-3.3mm

Ordering Information & Dimensions:

PART NO.	Dimensions	
	A	B
C6351HFI-2P	6.35	14.00
C6351HFI-3P	12.70	20.35
C6351HFI-4P	19.05	26.70

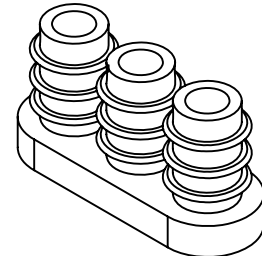
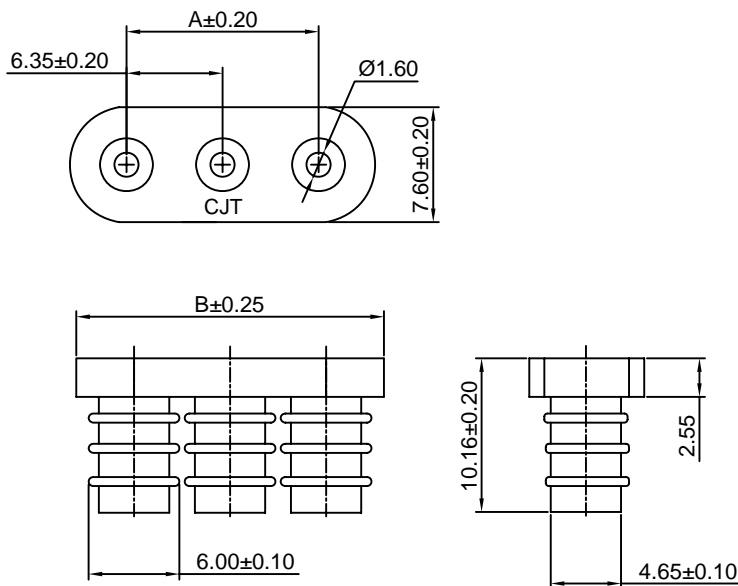
Unit: mm

C6351S

6.35mm Pitch Wire Seal

Reference Informations:

- *Material:Silicone rubber
- *Used in CJT C6351HF or C6351HM series Housing
- *Color:Blue



Technical Requirements:

- *2.79mm-3.30mm insulation diameter passed European IP sealing level #5/7(swirling dust/immersion to 1 meter for 30 minutes)
- *1.52mm-2.79mm insulation diameter passed European IP sealing level #5/6(swirling dust/heavy seas)
- *Wire AWG range is #20-14 with insulation diameter range 1.52mm-3.3mm

Ordering Information & Dimensions:

PART NO.	Dimensions	
	A	B
C6351S-2P	6.35	14.00
C6351S-3P	12.70	20.35
C6351S-4P	19.05	26.70

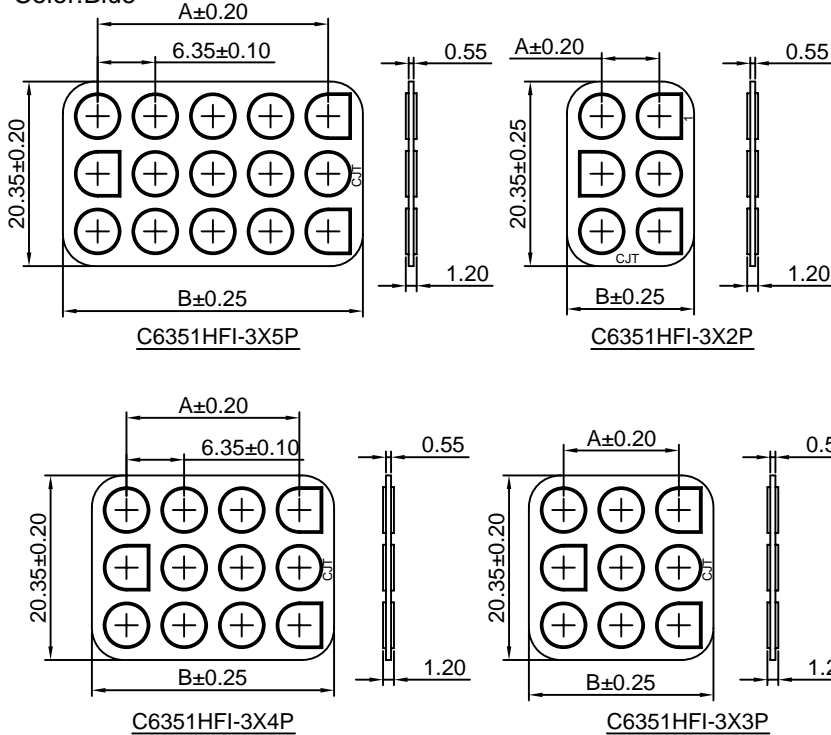
Unit: mm

C6351HFI-3

6.35mm Pitch Interface Seal

Reference Informations:

- *Material:Silicone rubber
- *Used in CJT C6351HF series Housing
- *Color:Blue



Technical Requirements:

- *2.79mm-3.30mm insulation diameter passed European IP sealing level #5/7(swirling dust/immersion to 1 meter for 30 minutes)
- *1.52mm-2.79mm insulation diameter passed European IP sealing level #5/6(swirling dust/heavy seas)
- *Wire AWG range is #20-14 with insulation diameter range 1.52mm-3.3mm

Ordering Information & Dimensions:

PART NO.	Dimensions	
	A	B
C6351HFI-3X2P	6.35	14.00
C6351HFI-3X3P	12.70	20.35
C6351HFI-3X4P	19.05	26.70
C6351HFI-3X5P	25.40	33.05

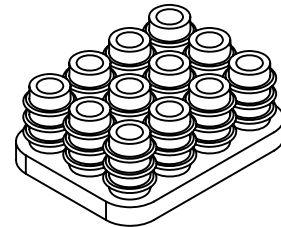
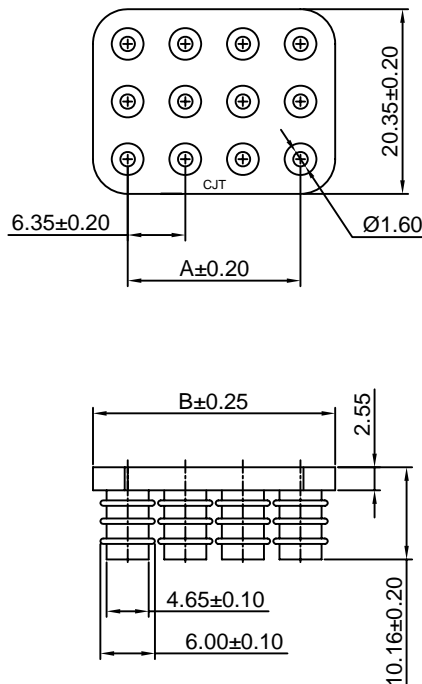
Unit: mm

C6351S-3

6.35mm Pitch Wire Seal

Reference Informations:

- *Material:Silicone rubber
- *Used in CJT C6351HF or C6351HM series Housing
- *Color:Blue



Technical Requirements:

- *2.79mm-3.30mm insulation diameter passed European IP sealing level #5/7(swirling dust/immersion to 1 meter for 30 minutes)
- *1.52mm-2.79mm insulation diameter passed European IP sealing level #5/6(swirling dust/heavy seas)
- *Wire AWG range is #20-14 with insulation diameter range 1.52mm-3.3mm

Ordering Information & Dimensions:

PART NO.	Dimensions	
	A	B
C6351S-3X2P	6.35	14.00
C6351S-3X3P	12.70	20.35
C6351S-3X4P	19.05	26.70
C6351S-3X5P	25.40	33.05

Unit: mm