

快达固态继电器 Crydom 代理商全国 400 热线 4006-022-002 固态继电器价格

北京(Beijing) 010-68008 911 进口固态继电器经销商 www.shuntu.net

广东省深圳 0755-83656701 江苏省 0510-81157933 无锡固态继电器 Crydom@126.com

M50 电源 SCR 二极管模块 电源模块 M505032 快达固态继电器 PDF 样本

DIN 安装固态继电器 SSR 进口固态继电器厂家 导轨安装固体继电器 **施耐德固态继电器**

单路固态继电器原理 双路固态继电器 直流固态继电器 交流固态继电器 三相固态继电器

UL 认证固态继电器 VDE 认证固态继电器资料 CE 认证固态继电器型号

快达电源模块, Crydom 电源模块 Power Module, .晶闸管模块 Crydom 可控硅整流器模块

固态继电器型号	Type	最大直流电流	交流线电压	可选二极管
M5010011	SCR/Diode Module	100A	120 VAC	No
M5010011F	SCR/Diode Module	100A	120 VAC	Yes
M5010011FV	SCR/Diode Module	100A	120 VAC	Yes
M5010011V	SCR/Diode Module	100A	120 VAC	No
M5010012	SCR/Diode Module	100A	240 VAC	No
M5010012F	SCR/Diode Module	100A	240 VAC	Yes
M5010012FV	SCR/Diode Module	100A	240 VAC	Yes
M5010012V	SCR/Diode Module	100A	240 VAC	No
M5010013	SCR/Diode Module	100A	280 VAC	No
M5010013F	SCR/Diode Module	100A	280 VAC	Yes
M5010013FV	SCR/Diode Module	100A	280 VAC	Yes
M5010013V	SCR/Diode Module	100A	280 VAC	No
M5010014	SCR/Diode Module	100A	380 VAC	No
M5010014F	SCR/Diode Module	100A	380 VAC	Yes
M5010014FV	SCR/Diode Module	100A	380 VAC	Yes
M5010014V	SCR/Diode Module	100A	380 VAC	No
M5010015	SCR/Diode Module	100A	480 VAC	No
M5010015F	SCR/Diode Module	100A	480 VAC	Yes
M5010015FV	SCR/Diode Module	100A	480 VAC	Yes
M5010015V	SCR/Diode Module	100A	480 VAC	No
M5010021	SCR/Diode Module	100A	120 VAC	No
M5010021F	SCR/Diode Module	100A	120 VAC	Yes
M5010021FV	SCR/Diode Module	100A	120 VAC	Yes
M5010021V	SCR/Diode Module	100A	120 VAC	No
M5010022	SCR/Diode Module	100A	240 VAC	No
M5010022F	SCR/Diode Module	100A	240 VAC	Yes
M5010022FV	SCR/Diode Module	100A	240 VAC	Yes
M5010022V	SCR/Diode Module	100A	240 VAC	No
M5010023	SCR/Diode Module	100A	280 VAC	No
M5010023F	SCR/Diode Module	100A	280 VAC	Yes
M5010023FV	SCR/Diode Module	100A	280 VAC	Yes
M5010023V	SCR/Diode Module	100A	280 VAC	No
M5010024	SCR/Diode Module	100A	380 VAC	No
M5010024F	SCR/Diode Module	100A	380 VAC	Yes

快达固态继电器 Crydom 代理商全国 400 热线 4006-022-002 固态继电器价格

北京(Beijing) 010-68008 911 进口固态继电器经销商 www.shuntu.net

广东省深圳 0755-83656701 江苏省 0510-81157933 无锡固态继电器 Crydom@126.com

M5010024FV	SCR/Diode Module	100A	380 VAC	Yes
M5010024V	SCR/Diode Module	100A	380 VAC	No
M5010025	SCR/Diode Module	100A	480 VAC	No
M5010025F	SCR/Diode Module	100A	480 VAC	Yes
M5010025FV	SCR/Diode Module	100A	480 VAC	Yes
M5010025V	SCR/Diode Module	100A	480 VAC	No
M5010031	SCR Module	100A	120 VAC	No
M5010031V	SCR Module	100A	120 VAC	No
M5010032	SCR Module	100A	240 VAC	No
M5010032V	SCR Module	100A	240 VAC	No
M5010033	SCR Module	100A	280 VAC	No
M5010033V	SCR Module	100A	280 VAC	No
M5010034	SCR Module	100A	380 VAC	No
M5010034V	SCR Module	100A	380 VAC	No
M5010035	SCR Module	100A	480 VAC	No
M5010035V	SCR Module	100A	480 VAC	No
M5010041	SCR Module	100A	120 VAC	No
M5010042	SCR Module	100A	240 VAC	No
M5010043	SCR Module	100A	280 VAC	No
M5010044	SCR Module	100A	380 VAC	No
M5010045	SCR Module	100A	480 VAC	No
M5010051	SCR Module	100A	120 VAC	No
M5010052	SCR Module	100A	240 VAC	No
M5010053	SCR Module	100A	280 VAC	No
M5010054	SCR Module	100A	380 VAC	No
M5010055	SCR Module	100A	480 VAC	No
M5010061	SCR/Diode Module	100A	120 VAC	No
M5010061V	SCR/Diode Module	100A	120 VAC	No
M5010062	SCR/Diode Module	100A	240 VAC	No
M5010062V	SCR/Diode Module	100A	240 VAC	No
M5010063	SCR/Diode Module	100A	280 VAC	No
M5010063V	SCR/Diode Module	100A	280 VAC	No
M5010064	SCR/Diode Module	100A	380 VAC	No
M5010064V	SCR/Diode Module	100A	380 VAC	No
M5010065	SCR/Diode Module	100A	480 VAC	No
M5010065V	SCR/Diode Module	100A	480 VAC	No
M5010071	SCR Module	100A	120 VAC	No
M5010071V	SCR Module	100A	120 VAC	No
M5010072	SCR Module	100A	240 VAC	No
M5010072V	SCR Module	100A	240 VAC	No
M5010073	SCR Module	100A	280 VAC	No

快达固态继电器 Crydom 代理商全国 400 热线 4006-022-002 固态继电器价格

北京(Beijing) 010-68008 911 进口固态继电器经销商 www.shuntu.net

广东省深圳 0755-83656701 江苏省 0510-81157933 无锡固态继电器 Crydom@126.com

M5010073V	SCR Module	100A	280 VAC	No
M5010074	SCR Module	100A	380 VAC	No
M5010074V	SCR Module	100A	380 VAC	No
M5010075	SCR Module	100A	480 VAC	No
M5010075V	SCR Module	100A	480 VAC	No
M5010081	SCR/Diode Module	100A	120 VAC	No
M5010082	SCR/Diode Module	100A	240 VAC	No
M5010083	SCR/Diode Module	100A	280 VAC	No
M5010084	SCR/Diode Module	100A	380 VAC	No
M5010085	SCR/Diode Module	100A	480 VAC	No
M505011	SCR/Diode Module	50A	120 VAC	No
M505011F	SCR/Diode Module	50A	120 VAC	Yes
M505011FV	SCR/Diode Module	50A	120 VAC	Yes
M505011V	SCR/Diode Module	50A	120 VAC	No
M505012	SCR/Diode Module	50A	240 VAC	No
M505012F	SCR/Diode Module	50A	240 VAC	Yes
M505012FV	SCR/Diode Module	50A	240 VAC	Yes
M505012V	SCR/Diode Module	50A	240 VAC	No
M505013	SCR/Diode Module	50A	280 VAC	No
M505013F	SCR/Diode Module	50A	280 VAC	Yes
M505013FV	SCR/Diode Module	50A	280 VAC	Yes
M505013V	SCR/Diode Module	50A	280 VAC	No
M505014	SCR/Diode Module	50A	380 VAC	No
M505014F	SCR/Diode Module	50A	380 VAC	Yes
M505014FV	SCR/Diode Module	50A	380 VAC	Yes
M505014V	SCR/Diode Module	50A	380 VAC	No
M505015	SCR/Diode Module	50A	480 VAC	No
M505015F	SCR/Diode Module	50A	480 VAC	Yes
M505015FV	SCR/Diode Module	50A	480 VAC	Yes
M505015V	SCR/Diode Module	50A	480 VAC	No
M505021	SCR/Diode Module	50A	120 VAC	No
M505021F	SCR/Diode Module	50A	120 VAC	Yes
M505021FV	SCR/Diode Module	50A	120 VAC	Yes
M505021V	SCR/Diode Module	50A	120 VAC	No
M505022	SCR/Diode Module	50A	240 VAC	No
M505022F	SCR/Diode Module	50A	240 VAC	Yes
M505022FV	SCR/Diode Module	50A	240 VAC	Yes
M505022V	SCR/Diode Module	50A	240 VAC	No
M505023	SCR/Diode Module	50A	280 VAC	No
M505023F	SCR/Diode Module	50A	280 VAC	Yes
M505023FV	SCR/Diode Module	50A	280 VAC	Yes

快达固态继电器 Crydom 代理商全国 400 热线 4006-022-002 固态继电器价格

北京(Beijing) 010-68008 911 进口固态继电器经销商 www.shuntu.net

广东省深圳 0755-83656701 江苏省 0510-81157933 无锡固态继电器 Crydom@126.com

M505023V	SCR/Diode Module	50A	280 VAC	No
M505024	SCR/Diode Module	50A	380 VAC	No
M505024F	SCR/Diode Module	50A	380 VAC	Yes
M505024FV	SCR/Diode Module	50A	380 VAC	Yes
M505024V	SCR/Diode Module	50A	380 VAC	No
M505025	SCR/Diode Module	50A	480 VAC	No
M505025F	SCR/Diode Module	50A	480 VAC	Yes
M505025FV	SCR/Diode Module	50A	480 VAC	Yes
M505025V	SCR/Diode Module	50A	480 VAC	No
M505031	SCR Module	50A	120 VAC	No
M505031V	SCR Module	50A	120 VAC	No
M505032	SCR Module	50A	240 VAC	No
M505032V	SCR Module	50A	240 VAC	No
M505033	SCR Module	50A	280 VAC	No
M505033V	SCR Module	50A	280 VAC	No
M505034	SCR Module	50A	380 VAC	No
M505034V	SCR Module	50A	380 VAC	No
M505035	SCR Module	50A	480 VAC	No
M505035V	SCR Module	50A	480 VAC	No
M505041	SCR Module	50A	M505041	No
M505042	SCR Module	50A	M505042	No
M505043	SCR Module	50A	M505043	No
M505044	SCR Module	50A	M505044	No
M505045	SCR Module	50A	M505045	No
M505051	SCR Module	50A	120 VAC	No
M505052	SCR Module	50A	240 VAC	No
M505053	SCR Module	50A	280 VAC	No
M505054	SCR Module	50A	380 VAC	No
M505055	SCR Module	50A	480 VAC	No
M505061	SCR/Diode Module	50A	120 VAC	No
M505061V	SCR/Diode Module	50A	120 VAC	No
M505062	SCR/Diode Module	50A	240 VAC	No
M505062V	SCR/Diode Module	50A	240 VAC	No
M505063	SCR/Diode Module	50A	280 VAC	No
M505063V	SCR/Diode Module	50A	280 VAC	No
M505064	SCR/Diode Module	50A	380 VAC	No
M505064V	SCR/Diode Module	50A	380 VAC	No
M505065	SCR/Diode Module	50A	480 VAC	No
M505065V	SCR/Diode Module	50A	480 VAC	No
M505071	SCR Module	50A	120 VAC	No
M505071V	SCR Module	50A	120 VAC	No

快达固态继电器 Crydom 代理商全国 400 热线 4006-022-002 固态继电器价格

北京(Beijing) 010-68008 911 进口固态继电器经销商 www.shuntu.net

广东省深圳 0755-83656701 江苏省 0510-81157933 无锡固态继电器 Crydom@126.com

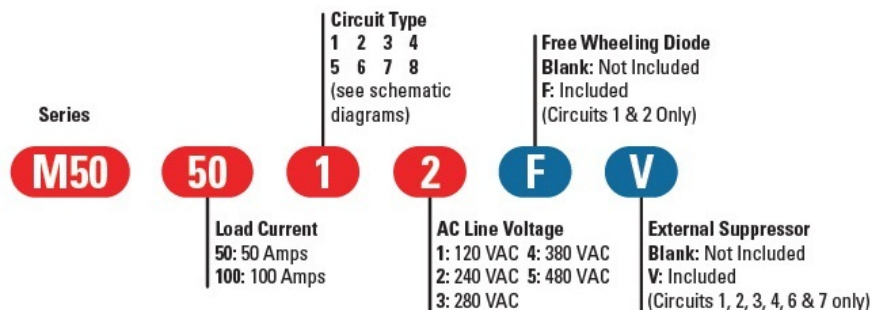
M505072	SCR Module	50A	240 VAC	No
M505072V	SCR Module	50A	240 VAC	No
M505073	SCR Module	50A	280 VAC	No
M505073V	SCR Module	50A	280 VAC	No
M505074	SCR Module	50A	380 VAC	No
M505074V	SCR Module	50A	380 VAC	No
M505075	SCR Module	50A	480 VAC	No
M505075V	SCR Module	50A	480 VAC	No
M505081	SCR/Diode Module	50A	120 VAC	No
M505082	SCR/Diode Module	50A	240 VAC	No
M505083	SCR/Diode Module	50A	380 VAC	No
M505084	SCR/Diode Module	50A	480 VAC	No
M505085	SCR/Diode Module	50A	M505045	No

M50 Series



- Over 40KW output Capability
- 8 Different Circuits to Choose from
- 50 and 100A outputs
- UL Recognized E72445

AVAILABLE OPTIONS



● Required for valid part number

● For options only and not required for valid part number

NOTE: Not all combinations available

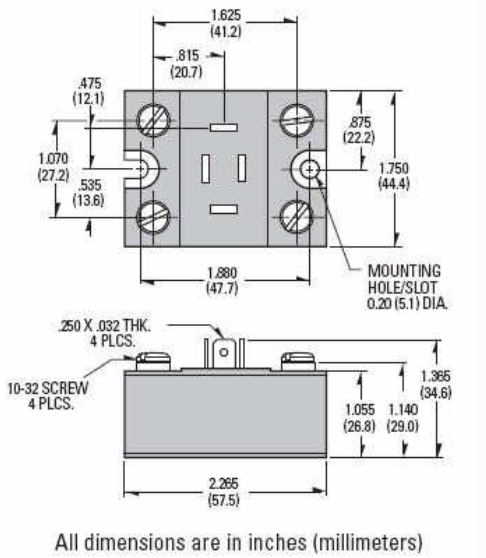
ELECTRICAL SPECIFICATIONS

Description	Symbol	M5050	M50100
Maximum DC Output Current (Tc = 85°C)	I _D	50 A	100 A
Maximum Voltage Drop @ Amps Peak	V _F	1.7V @ 50A	1.4V @ 100A
Operating Junction Temperature Range	T _J	-40 - 125°C	-40 - 125°C
Critical Rate of Rise of On-State Current @ T _J =125°C	di/dt	100A/μs	100A/μs
Critical Rate of Rise of Off-State Voltage [V/μs]	dv/dt	500V/μs	500V/μs
Repetitive Peak Reverse Voltage (AC Line Nominal) [Vpk]	V _{RRM}	400 (120 VAC) 600 (240 VAC) 800 (280 VAC) 1200 (480 VAC)	
Maximum Non-Repetitive Surge Current (1/2 Cycle, 60 Hz) [A]	I _{TSM}	600	1500
Maximum I ² T for Fusing (t=8.3ms) [A ² sec]	I ² T	1500	9350
Maximum Required Gate Current to Trigger @ 25°C [mA]	I _{GT}	150	150
Maximum Required Gate Voltage to Trigger @ 25°C [V]	V _{GT}	3.0	3.0
Average Gate Power [W]	P _{G(AV)}	0.5	0.5
Maximum Peak Reverse Gate Voltage [V]	V _{GM}	5.0	5.0
Maximum Thermal Resistance, Junction to Ceramic Base per Chip [°C/W]	R _{JC}	0.7°C/W	0.36°C/W
Isolation Voltage [Vrms]	V _{ISOL}	2500	2500

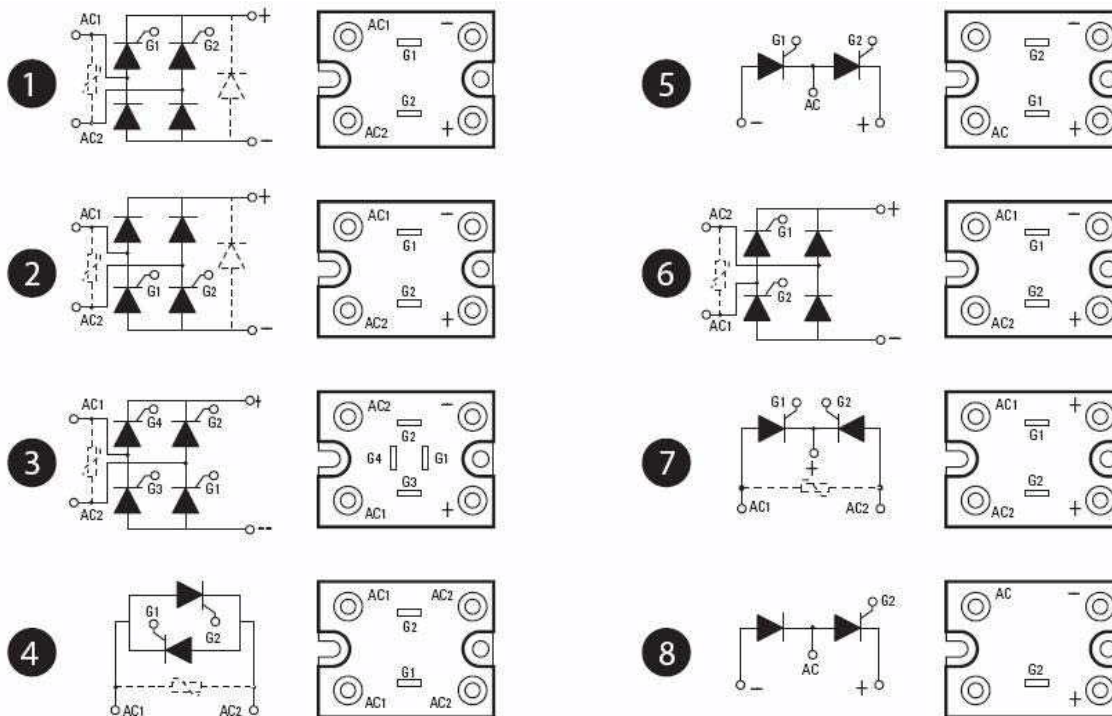
GENERAL SPECIFICATIONS

Description	M5050	M50100
Weight (typical)	3.75 oz (106g)	3.75 oz (106g)

MECHANICAL SPECIFICATIONS



CIRCUIT DIAGRAMS



AGENCY APPROVALS

