

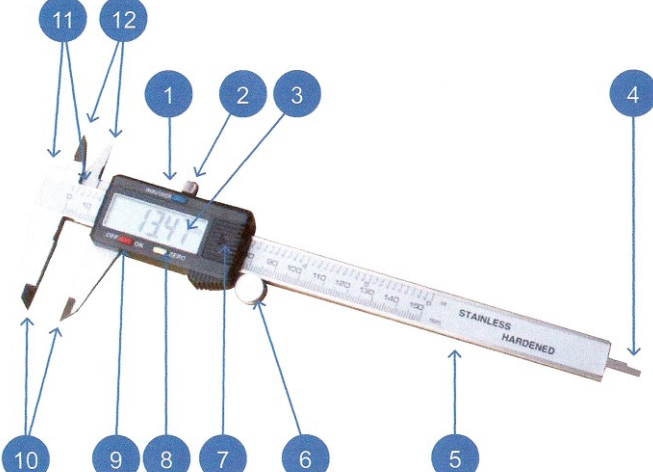


Electronic Calipers

<p>Metric / Inch model</p>  <p>Metric only model</p> 	<p>Hardened stainless steel frame and measuring jaws                  Thumbroll adjustment                  Knurled locking screw                  Depth rod                  Clear LCD Display                  Large 11mm digits                  Inch/Metric conversion (except 49-923-155, metric only)                  Origin setting                  Resolution: 0.01mm / 0.0005"                  Repeatability: 0.01mm / 0.0005"                  4 Way measurement:                  Individual serial numbers                  Power: 1 x Silver oxide battery SR44 - 1.55v                  Operating temperature: 5 - 40°C                  Relative humidity: Maximum 80%                  Warranty: 1 year</p>
---	--

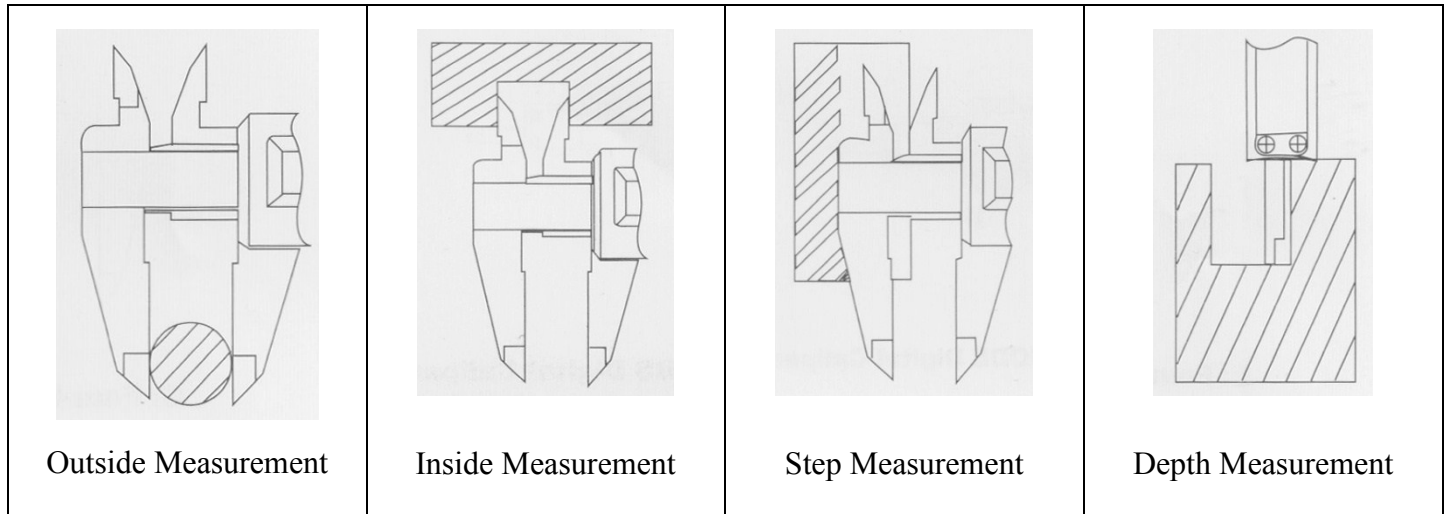
	<ol style="list-style-type: none"> <li>1 Metric / Inch Conversion Button</li> <li>2 Knurled Locking Screw</li> <li>3 LCD Display</li> <li>4 Depth Measuring Blade</li> <li>5 Caliper Beam</li> <li>6 Thumbroll Fine Adjustment</li> <li>7 Battery Cover</li> <li>8 Zero Set Button</li> <li>9 Power Button ON/OFF</li> <li>10 External Measuring Jaws</li> <li>11 Step Measuring Faces</li> <li>12 Internal Measuring Jaws</li> </ol>
--	---

Code	Range	Resolution	Repeatability	Accuracy
49-923-150	150mm / 6"	0.01mm / 0.0005"	0.01mm / 0.0005"	±0.02mm (≤ 100mm) ±0.03mm (≥ 100mm – 200mm) ±0.04mm (≥ 200mm – 300mm)
49-923-200	200mm / 8"	0.01mm / 0.0005"	0.01mm / 0.0005"	
49-923-300	300mm / 12"	0.01mm / 0.0005"	0.01mm / 0.0005"	
49-923-155	150mm	0.01mm	0.01mm	

Code	Range	External Jaw Length	Internal Jaw Length
49-923-150	150mm / 6"	40mm	18mm
49-923-200	200mm / 8"	50mm	20mm
49-923-300	300mm / 12"	60mm	20mm
49-923-155	150mm	40mm	18mm

Electronic Calipers

4 Way Measurement Feature



OPERATING INSTRUCTIONS

When using the Caliper for the first time or after a period of non-use, wipe the beam scale with a dry clean cloth to remove any condensation or oil deposits.

Prior to setting the caliper for measuring, first clean the measuring faces with a soft clean cloth or paper.

Switch Caliper ON

Move Caliper jaws together.

Select required measuring mode Inch / Metric.

Zero display, caliper is now ready for direct measurement.

Caliper can be zeroed at any position within its range, to provide relative measurements.

Caliper provides 4 way measurements, External, Internal, Step and Depth.

OPERATING CARE

Clean measuring faces with dry soft cloth

Keep away from strong magnetic fields

Prevent ingress of oil / liquids into electronics

Remove battery if instrument is not used for a long period of time

Do not disassemble or drop the instrument

**Do not mark instrument by engraving, etching or any other permanent marking method, as this will invalidate the warranty**

FAULT FINDING

Fault	Cause	Action
Display flashes	Battery voltage below 1.45volts	Replace battery
Display frozen	Circuit overload	Remove battery and replace after 4 minutes
Accuracy below specification but within +/- 0.1mm	Dirt in sensor	Remove slider cover assembly, clean face of sensor with dry clean compressed air (5kg/cm2)
No display	Poor battery contact Dead battery	Remove battery and carefully adjust battery contacts, replace battery. Replace battery.