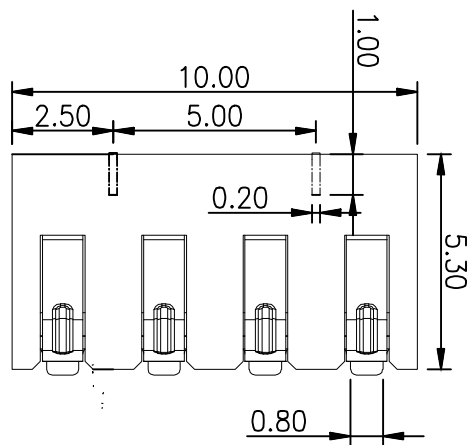
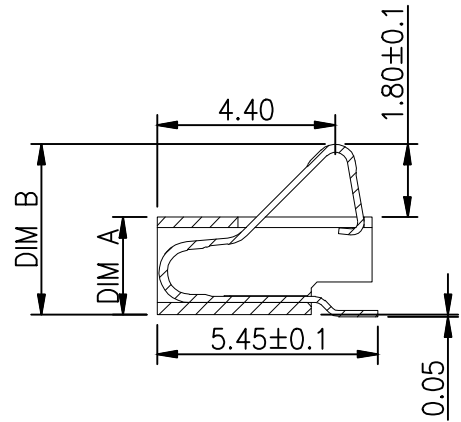


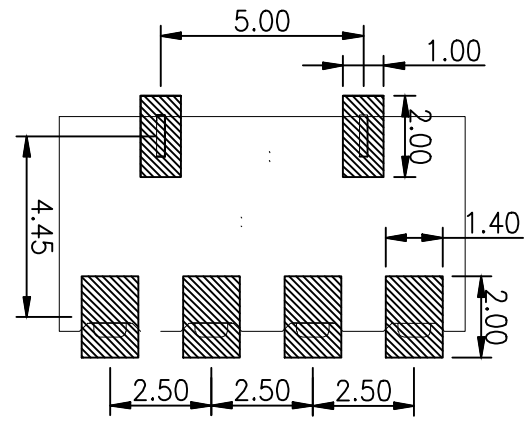
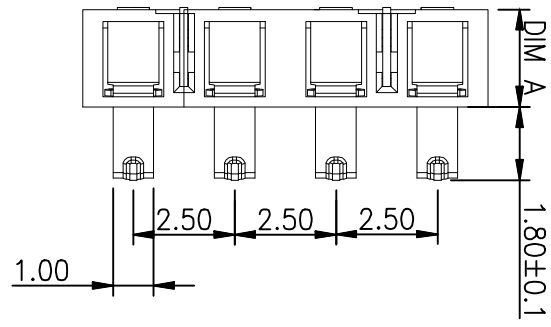
REV.	DESCRIPTION	ECN NO.	DATE	DRAWER



PART NUMBER

WD-031104-BX1-XX

镀金厚度 0-Fu
 1- 3u" 2-6u"
 3-15u" 4-30u"
 5-50u"



RECOMMENDED PCB LAYOUT
TOP VIEW (.XX±0.05)

PART NO.	H=?	DIM A	DIM B
WD-031104-BX1-24	2.4	2.4	4.2
WD-031104-BX1-30	3.0	3.0	4.8
WD-031104-BX1-35	3.5	3.5	5.3

DIMENSION IN mm [inch]		东莞市伟定电子有限公司 TEL: 0769-88925318 FAX: 0769-89221023
Tolerance unless otherwise specified		
X. ± --	X.* ± 10'	ITEM : 立式2.5mm SMT 3P 电池座 PART NO: WD-031104-BX1-XX DRAW NO: WD-031104-BX1-XX
X.X ± 0.38	X.X* ± 5'	
X.XX ± 0.25	X.XX* ± 2'	Scale: 1 : 1 Size: A 4 Rev : A
X.XXX ± 0.13	X.XXX* ± --	
Approver: JEERY	Checker: ANDY	Drawer: CHRIS 2015/04/02 Sheet: 1 / 1