

REV.	DESCRIPTION	ECN NO.	DATE	DRAWER

NOTES:

1.Material:

Housing:PA6T&LCP UL 94V-0,Black

Terminal:Copper Alloy

2.Finish:Plating Gold

3.Specification

Rated Voltage(Max.):30V AC/DC

Dielectric Strength:1KV AC For 1 Minute

Between Adjacent Terminal,No Breakdown

Insulation Resistance:1000 Megohms Min. 500V

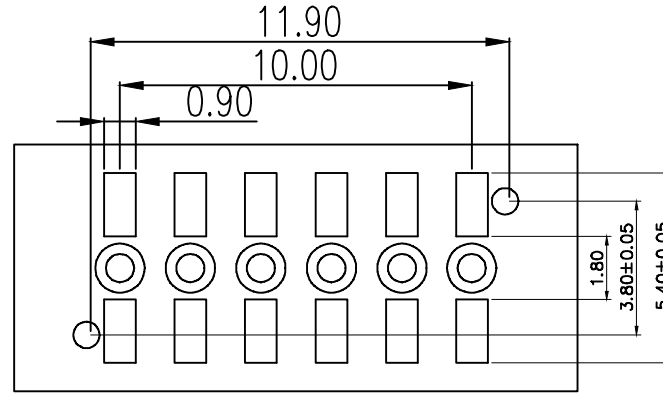
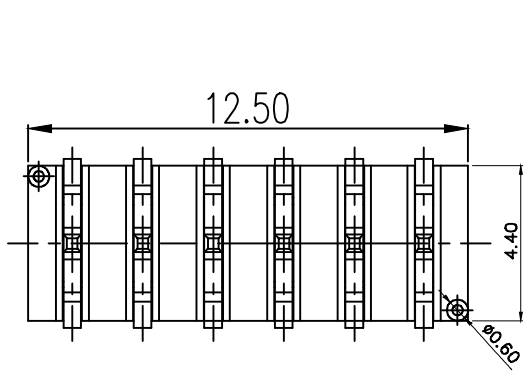
DC For 1 Minute Between Adjacent Terminal

Operating Temperature:-20°C-80°C

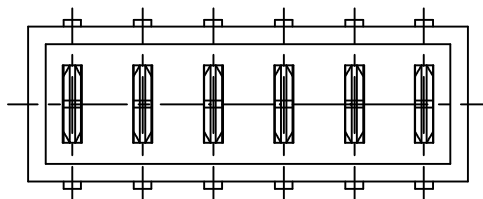
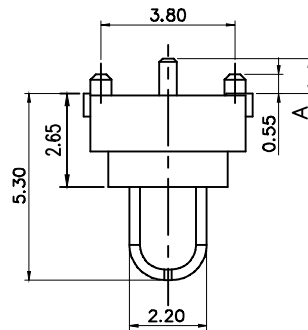
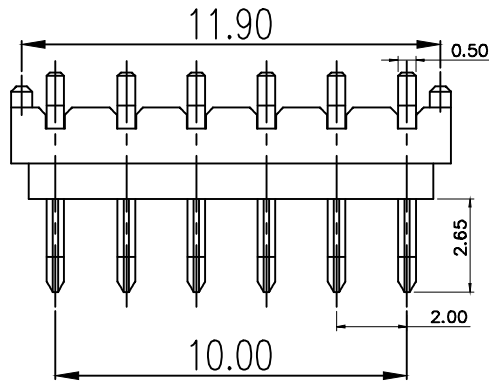
PART NUMBER

WD-030106F-BX1

镀金厚度 0-FU
 1-3u" 2-6u"
 3-15u" 4-30u"
 5-50u"



Recommended P.C.Board Layout



DIMENSION IN mm [inch]		东莞市伟定电子有限公司	
Tolerance unless otherwise specified		TEL: 0769-88925318 FAX: 0769-89221023	
X. ± --	X.* ± 10'	ITEM : 2.0mm 6P 电池公座	
X.X ± 0.38	X.X* ± 5'		
X.XX ± 0.25	X.XX* ± 2'	PART NO: WD-030106F-BX1	Scale: 1 : 1
X.XXX ± 0.13	X.XXX* ± --	DRAW NO: WD-030106F-BX1	Size: A 4
Approver: JEERY		Checker: ANDY	Rev : A
		Drawer: CHRIS	Sheet: 1 / 1
		2015/04/02	