

REV.	DESCRIPTION	ECN NO.	DATE	DRAWER

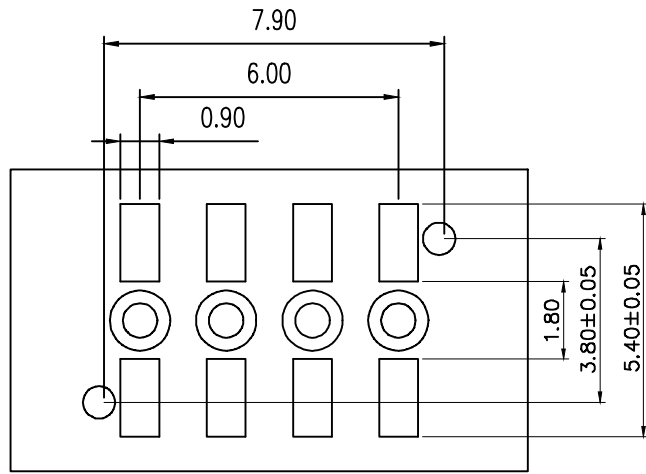
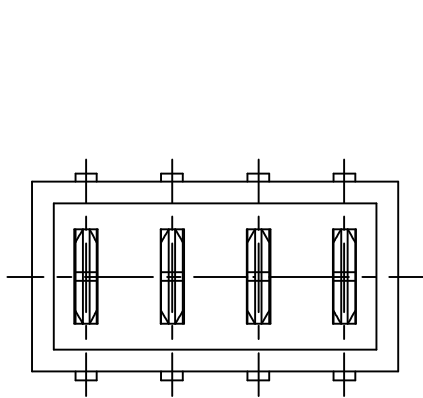
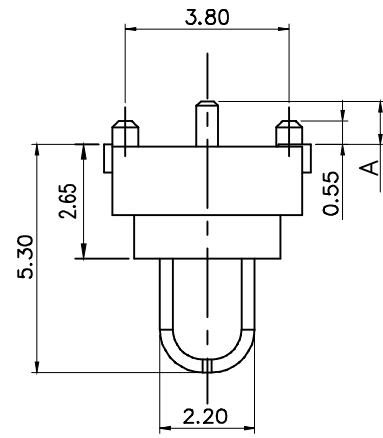
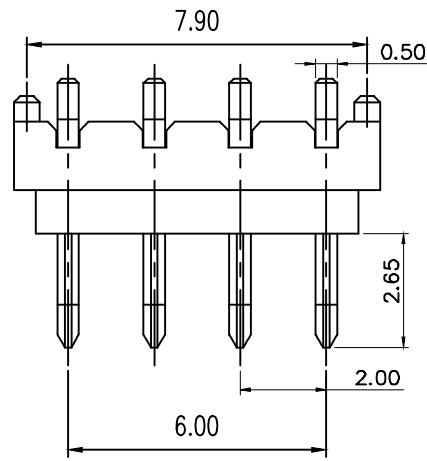
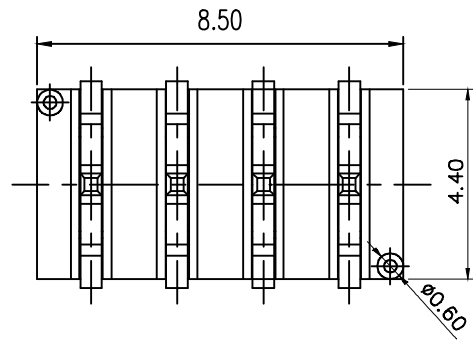
NOTES:

- 1.Material:
 - Housing:PA6T&LCP UL 94V-0,Black
 - Terminal:Copper Alloy
- 2.Finish:Plating Gold
- 3.Specification
 - Rated Voltage(Max.):30V AC/DC
 - Dielectric Strength:1KV AC For 1 Minute
 - Between Adjacent Terminal,No Breakdown
 - Insulation Resistance:1000 Megohms Min. 500V
 - DC For 1 Minute Between Adjacent Terminal
 - Operating Temperature:-20°C-80°C

PART NUMBER

WD-030104F-BX1

镀金厚度 0-FU
 1-3u" 2-6u"
 3-15u" 4-30u"
 5-50u"



Recommended P.C.Board Layout

DIMENSION IN mm [inch]		东莞市伟定电子有限公司	
Tolerance unless otherwise specified		TEL: 0769-88925318 FAX: 0769-89221023	
X. ± --	X.* ± 10'	ITEM : 2.0mm 4P 电池公座	Scale: 1 : 1
X.X ± 0.38	X.X* ± 5'		
X.XX ± 0.25	X.XX* ± 2'	PART NO: WD-030104F-BX1	Size: A 4
X.XXX ± 0.13	X.XXX* ± --	DRAW NO: WD-030104F-BX1	Rev : A
Approver: JEERY		Checker: ANDY	Drawer: CHRIS 2015/04/02
		Sheet: 1 / 1	