



CT series

Sealed toggle switches

Distinctive features and specifications



- Completely sealed switching chamber
- Three types of terminals
- UL approved

ELECTRICAL SPECIFICATIONS

- Max. current/voltage rating with resistive load and electrical life at full load: see table below
- Initial contact resistance : 10 mΩ max. at 1A 2VDC
- Insulation resistance : 1.000 MΩ min. at 500VDC
- Dielectric strength : 2.500 Vrms 50 Hz min. between terminals
3.000 Vrms 50 Hz min. between terminals and frame

ELECTRICAL RATING AND LIFE

| FUNCTIONS | Alternate current | Direct current | UL |
|------------------------|--|--|--|
| ON-OFF and ON-ON | 15A 125/250VAC resistive 10.000 cycles | 15A 28VDC resistive 5A 28VDC lamp load 10.000 cycles | 10A 125/250 VAC according to UL 1054 |
| Other functions | 10A 125/250VAC resistive 10.000 cycles | 10.000 cycles 15A 28VDC resistive 3A 28VDC lamp load | |

MATERIALS

- Case : mineral filled polyester UL94-V0
- Bushing and cover : zamac
- Actuator : bright nickel
- Contacts : silver alloy
Gold plated : on request

AGENCY APPROVAL



File E83438

Availability : consult factory for details of approved models.

Marking : to order switches marked UL, complete appropriate box of ordering format.

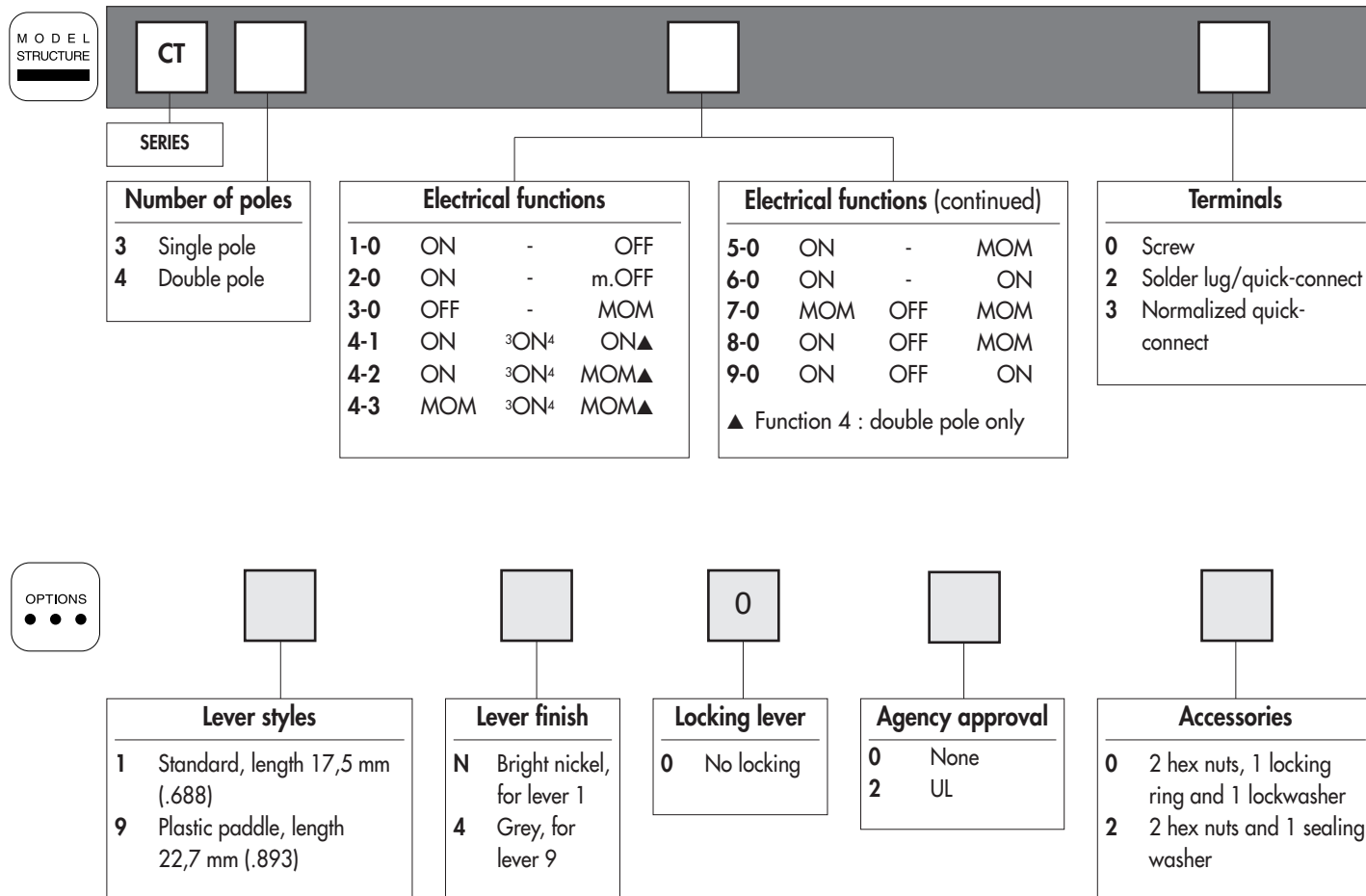
GENERAL SPECIFICATIONS

- Torque : 2 Nm (1.47 Ft.lb) max. applied to nut
- Panel thickness : see "Mounting Accessories" on the following pages
- Mechanical life : 40.000 cycles
- Operating temperature : -40°C to +85°C
- Front panel sealing : IP67

CT series

Sealed toggle switches

Overview



APEM has the ability to develop custom configurations. Please contact us with your requirements.



NOTICE : please note that not all combinations of above numbers are available. Refer to the following pages for further information.

ABOUT THIS SERIES

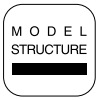
On the following pages, you will find successively :
 - model structure of switches
 - their options in the same order as in above chart

Dimensions : first dimensions are in mm while inches are shown as bracketted numbers.

Security caps are available to prevent inadvertent lever operation. On request.

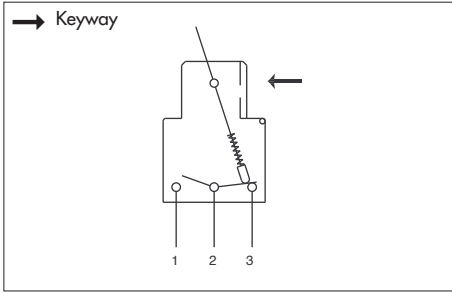


Packaging unit : 25 pieces

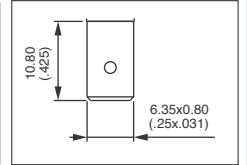
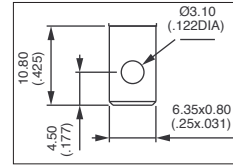
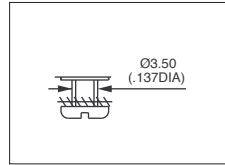


CT series

Sealed toggle switches



• Screw, solder lug or quick-connect terminals



MODEL STRUCTURE

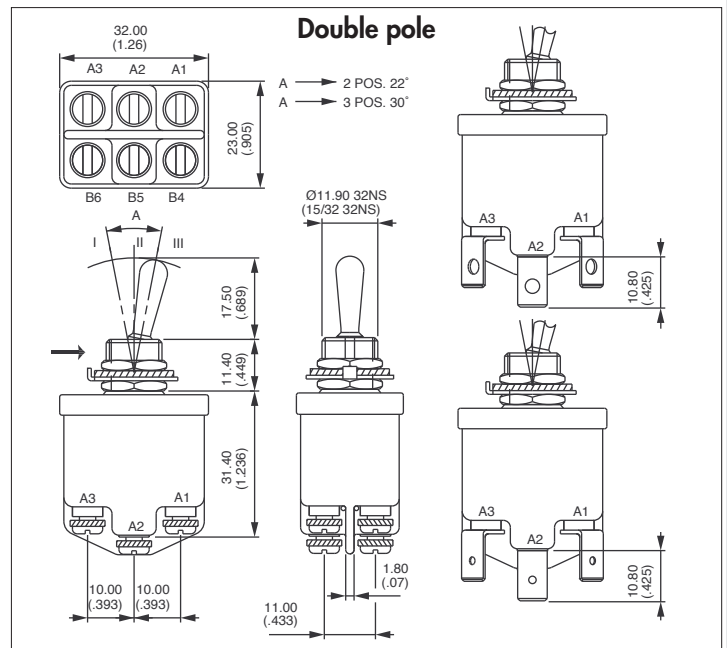
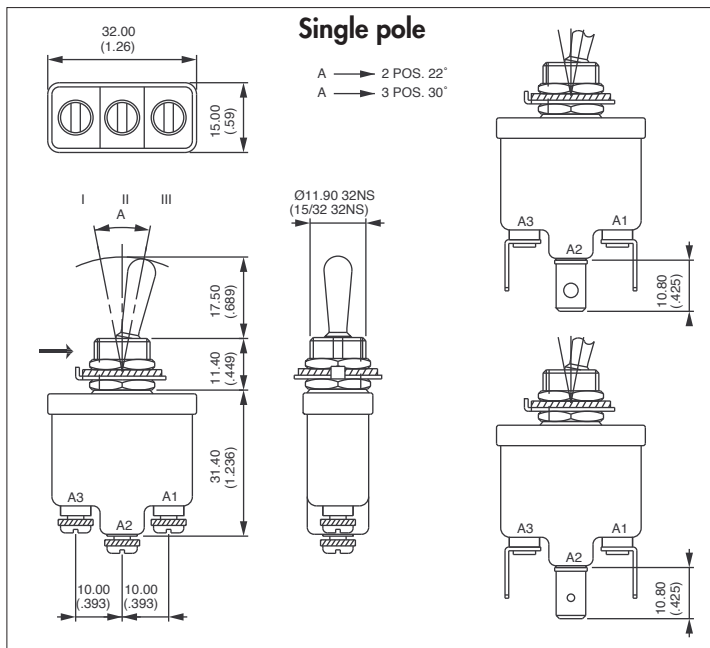


Shown with standard lever



| FUNCTIONS | | | BASIC PART NUMBER | | | | | |
|-----------|--------|-------|-------------------|-------------|-------------------------------------|-------------|------------------------------------|-------------|
| III | II | I | Screw terminals | | Solder lugs and quick-connect term. | | Normalized quick-connect terminals | |
| A2-A3 | *A3-B4 | A1-A2 | Single pole | Double pole | Single pole | Double pole | Single pole | Double pole |
| B5-B6 | A1-B6 | B5-B4 | | | | | | |
| ON | - | OFF | CT31-00 | CT41-00 | CT31-02 | CT41-02 | CT31-03 | CT41-03 |
| ON | - | m.OFF | CT32-00 | CT42-00 | CT32-02 | CT42-02 | CT32-03 | CT42-03 |
| OFF | - | MOM | CT33-00 | CT43-00 | CT33-02 | CT43-02 | CT33-03 | CT43-03 |
| ON | ON* | ON | | CT44-10 | | CT44-12 | | CT44-13 |
| ON | ON* | MOM | | CT44-20 | | CT44-22 | | CT44-23 |
| MOM | ON* | MOM | | CT44-30 | | CT44-32 | | CT44-33 |
| ON | - | MOM | CT35-00 | CT45-00 | CT35-02 | CT45-02 | CT35-03 | CT45-03 |
| ON | - | ON | CT36-00 | CT46-00 | CT36-02 | CT46-02 | CT36-03 | CT46-03 |
| MOM | OFF | MOM | CT37-00 | CT47-00 | CT37-02 | CT47-02 | CT37-03 | CT47-03 |
| ON | OFF | MOM | CT38-00 | CT48-00 | CT38-02 | CT48-02 | CT38-03 | CT48-03 |
| ON | OFF | ON | CT39-00 | CT49-00 | CT39-02 | CT49-02 | CT39-03 | CT49-03 |

→ Keyway

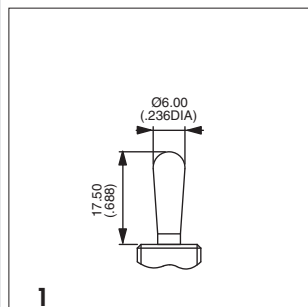
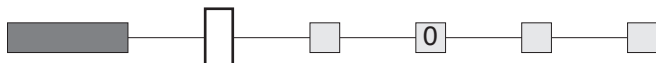


CT series

Sealed toggle switches

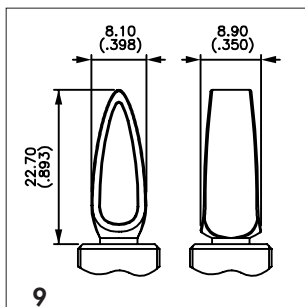


LEVER STYLES



1

Standard



9

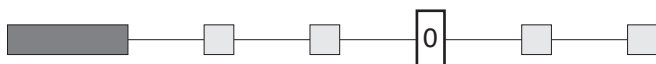
Plastic paddle

LEVER FINISH



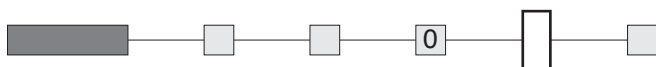
- N Bright nickel (for lever 1 only)
- 4 Grey (for lever 9 only)

LOCKING LEVER



- 0 No locking

AGENCY APPROVAL



- 0 None
- 2 UL

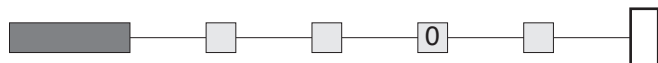
APEM has the ability to develop custom configurations. Please contact us with your requirements.



CT series

Sealed toggle switches

MOUNTING ACCESSORIES



- 0 For NON-SEALED mounting (panel cut-out fig. 1, 2 or 3)
2 hex nuts 14 mm (.551) across flats, 1 locking ring U121 or U12, 1 lockwasher U13
Panel thickness : 5 mm (.196) max.
- 2 For SEALED mounting (panel cut-out fig. 2)
2 hex nuts 14 mm (.551) across flats and 1 sealing washer U60
Panel thickness : 4 mm (.157) max.

Special hardware : black cap nut U129. Order separately.

