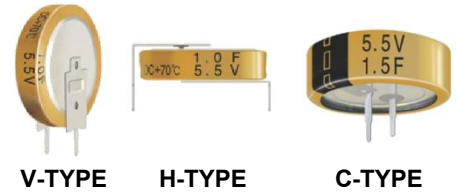


## Features

- Standard coin-type
- Small-sized, large capacity
- Wider temperature range(-25~70°C) than battery makes periodic change unnecessary

## Applications

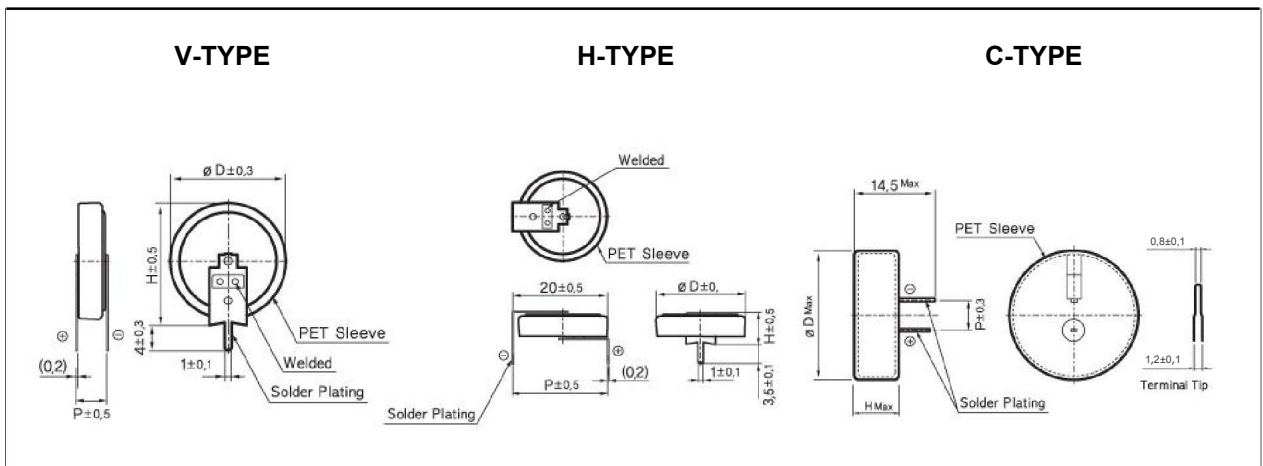
- Memory back-up for Video, Audio, Cameras, Camcorder, Telephones, Printer Car stereo, Computer, Notebook PC, Rice cooker, PLC, Set top box, Washing machine, DVD-RW, Home network etc.
- Main power for Bicycle tail light, flash lights etc.



## Specifications

Items	Characteristics
Rated working voltage	5.5VDC
Operating temperature	-25 to +70°C
Maximum surge voltage	6.3VDC
Nominal Cap. range	1.0F / 1.5F
Capacitance tolerance	-20% to +80%(at 25°C)
Low temperature(-25°C) characteristics	Capacitance change : ≤ 50% of the initial value at +25°C Internal resistance : Less than five times of the initial value at +25°C
Endurance	After 1,000hours application of rated DC working voltage at +70°C, the capacitor shall meet the following limits. <ul style="list-style-type: none"> <li>• Capacitance change : ±30% of the initial value</li> <li>• Internal resistance : Less than four times of the initial value</li> </ul>
Shelf life	After 1,000hours storage at +70°C without load, the capacitor shall meet the specified limit for "Endurance"

## Dimensions in mm(not to scale)



## Standard products

Part Number	Operating Voltage (V)	Capacitance (F)	ESR (Ω, @1kHz)	V type(mm)			H type(mm)			C type(mm)		
				ΦD	H	P	ΦD	H	P	ΦD	H	P
DCL 5R5 105	5.5	1.0	≤ 30	19.0	19.5	5.0	19.0	6.5	20.0	21.5	7.5	5.0
DCL 5R5 155	5.5	1.5	≤ 30	19.0	19.5	5.0	19.0	6.5	20.0	21.5	7.5	5.0

Note : It is not allowed to go through reflow (IR, Atmosphere heating methods etc.) process

## | Features |

- High temperature tolerance(-25~85°C) and highly reliable

## | Applications |

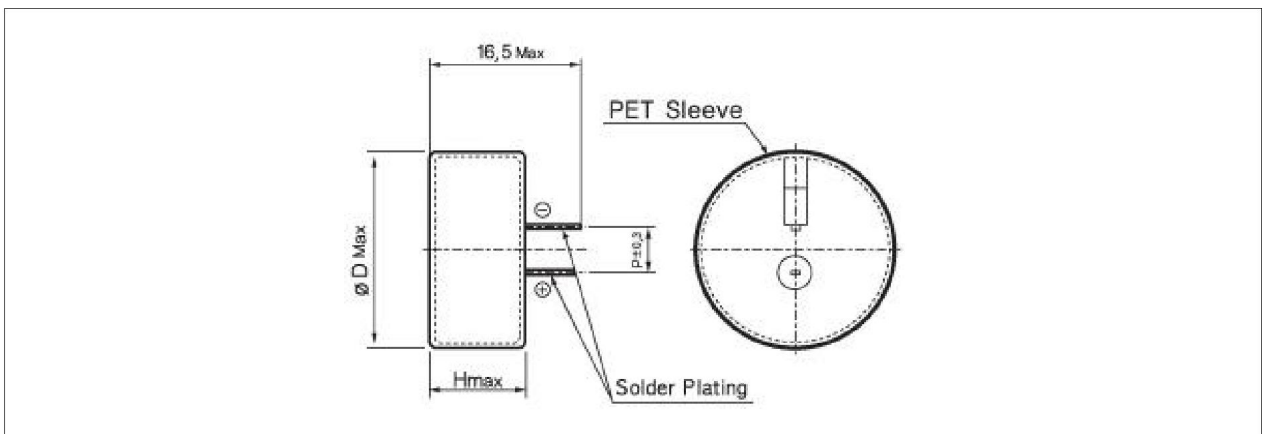
- Memory back-up for Video, Audio, Cameras, Camcorder, Telephones, Printer, Car stereo, Computer, Notebook PC, Rice cooker, PLC, Set top box, Washing machine, DVD-RW, Home network etc.



## | Specifications |

Items	Characteristics
Rated working voltage	5.5VDC
Operating temperature	-25 to +85°C
Nominal Cap. range	0.68 to 1.0F
Capacitance tolerance	-20% to +80%(at 25°C)
Low temperature(-25°C) characteristics	Capacitance change : ≤ 50% of the initial value at +25°C Internal resistance : Less than five times of the initial value at +25°C
Endurance	After 1,000hours application of rated DC working voltage at +85°C, the capacitor shall meet the following limits. • Capacitance change : ±30% of the initial value • Internal resistance : Less than four times of the initial value
Shelf life	After 1,000hours storage at +85°C without load, the capacitor shall meet the specified limit for "Life"

## | Dimensions in mm(not to scale) |



## | Standard products |

Part Number	Operating Voltage (V)	Capacitance (F)	ESR (Ω, @1kHz)	ΦD×H×P (mm)
DCLT 5R5 474	5.5	0.47	50	Φ21.5×9.5×5.0
DCLT 5R5 684	5.5	0.68	50	Φ21.5×9.5×5.0
DCLT 5R5 105	5.5	1.0	30	Φ21.5×9.5×5.0

**Note: It is not allowed to go through reflow (IR, Atmosphere heating methods etc.) process**

## Features

- High temperature tolerance(-25~85°C) and highly reliable

## Applications

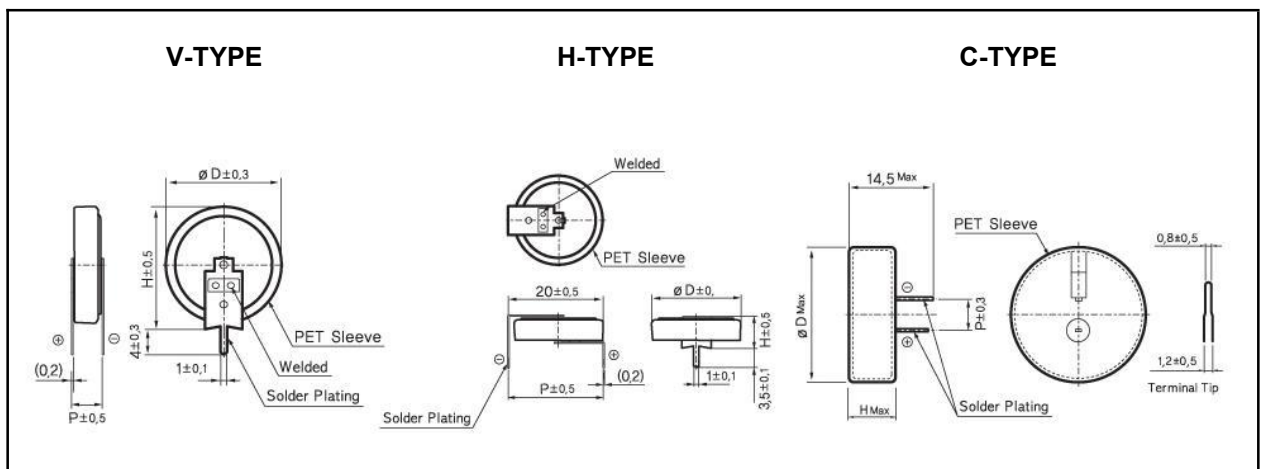
- Memory back-up for Video, Audio, Cameras, Camcorder, Telephones, Printer Car stereo, Computer, Notebook PC, Rice cooker, PLC, Set top box, Washing machine, DVD-RW, Home network etc.
- Main power for Bicycle tail light, flash lights etc.



## Specifications

Items	Characteristics
Rated working voltage	5.5VDC
Operating temperature	-25 to +85°C
Maximum surge voltage	5.5VDC
Nominal Cap. range	1.0F
Capacitance tolerance	-20% to +80%(at 25°C)
Low temperature(-25°C) characteristics	Capacitance change : ≤ 50% of the initial value at +25°C Internal resistance : Less than five times of the initial value at +25°C
Endurance	After 1,000hours application of rated DC working voltage at +85°C, the capacitor shall meet the following limits. • Capacitance change : ±30% of the initial value • Internal resistance : Less than four times of the initial value
Shelf life	After 1,000hours storage at +85°C without load, the capacitor shall meet the specified limit for "Endurance"

## Dimensions in mm(not to scale)



## Standard products

Part Number	Operating Voltage (V)	Capacitance (F)	ESR ( $\Omega$ , @1kHz)	V type(mm)			H type(mm)			C type(mm)		
				$\phi D$	H	P	$\phi D$	H	P	$\phi D$	H	P
DCLT 3R6 105	5.5	1.0	≤ 30	19.0	19.5	5.0	19.0	6.5	20.0	21.5	7.5	5.0

Note : It is not allowed to go through reflow (IR, Atmosphere heating methods etc.) process

## Features

- High voltage tolerance(6.3V guaranteed) and highly reliable

## Applications

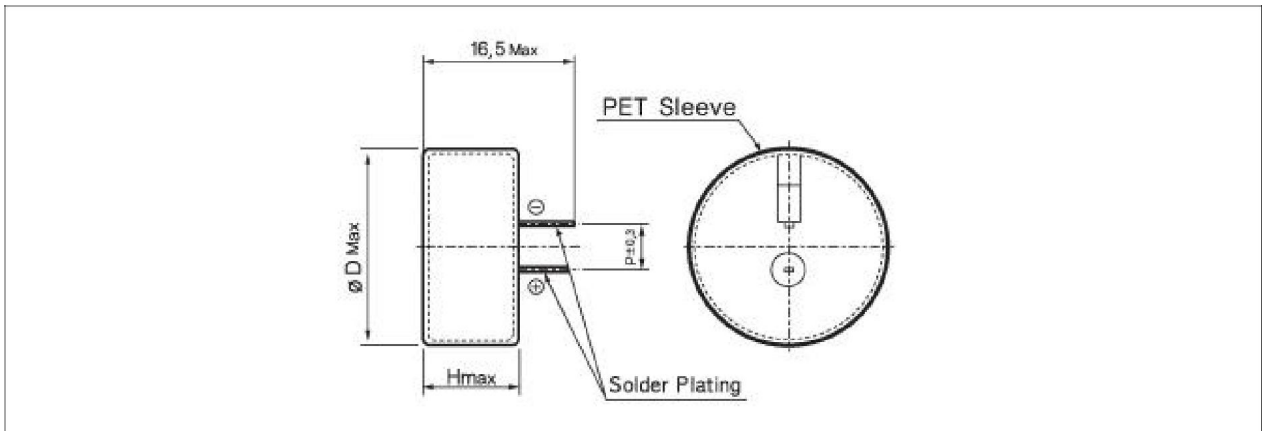
- Memory back-up for Video, Audio, Cameras, Camcorder, Telephones, Printer, Car stereo, Computer, Notebook PC, Rice cooker, PLC, Set top box, Washing machine, DVD-RW, Home network etc.



## Specifications

Items	Characteristics
Rated working voltage	6.3VDC
Operating temperature	-25 to +70°C
Nominal Cap. range	0.47 to 1.0F
Capacitance tolerance	-20% to +80%(at 25°C)
Low temperature(-25°C) characteristics	Capacitance change : ≤ 50% of the initial value at +25°C Internal resistance : Less than five times of the initial value at +25°C
Endurance	After 1,000hours application of rated DC working voltage at +70°C, the capacitor shall meet the following limits. • Capacitance change : ±30% of the initial value • Internal resistance : Less than four times of the initial value
Shelf life	After 1,000hours storage at +70°C without load, the capacitor shall meet the specified limit for "Life"

## Dimensions in mm(not to scale)



## Standard products

Part Number	Operating Voltage (V)	Capacitance (F)	ESR ( $\Omega$ , @1kHz)	$\varnothing D \times H \times P$ (mm)
DCLH 6R3 474	6.3	0.47	50	$\varnothing 21.5 \times 9.5 \times 5.0$
DCLH 6R3 684	6.3	0.68	50	$\varnothing 21.5 \times 9.5 \times 5.0$
DCLH 6R3 105	6.3	1.0	30	$\varnothing 21.5 \times 9.5 \times 5.0$

**Note: It is not allowed to go through reflow (IR, Atmosphere heating methods etc.) process**