



Valens VS010 Product Brief



Overview

The Valens VS010 chipset transmits and receives uncompressed HD, video, audio, power and control signals over a Cat5e/cat6a cable of up to 70 meters.

HDBaseT™ delivers a significant value to the entire home and commercial entertainment ecosystem, from CE/PC equipment manufacturers and audio/video connectivity product suppliers, through systems integrators and retailers, to installers and consumers. Homes, offices, hotels, airports and other public places can now install a robust HD ecosystem easily, effectively and at a very low cost.

Architecture

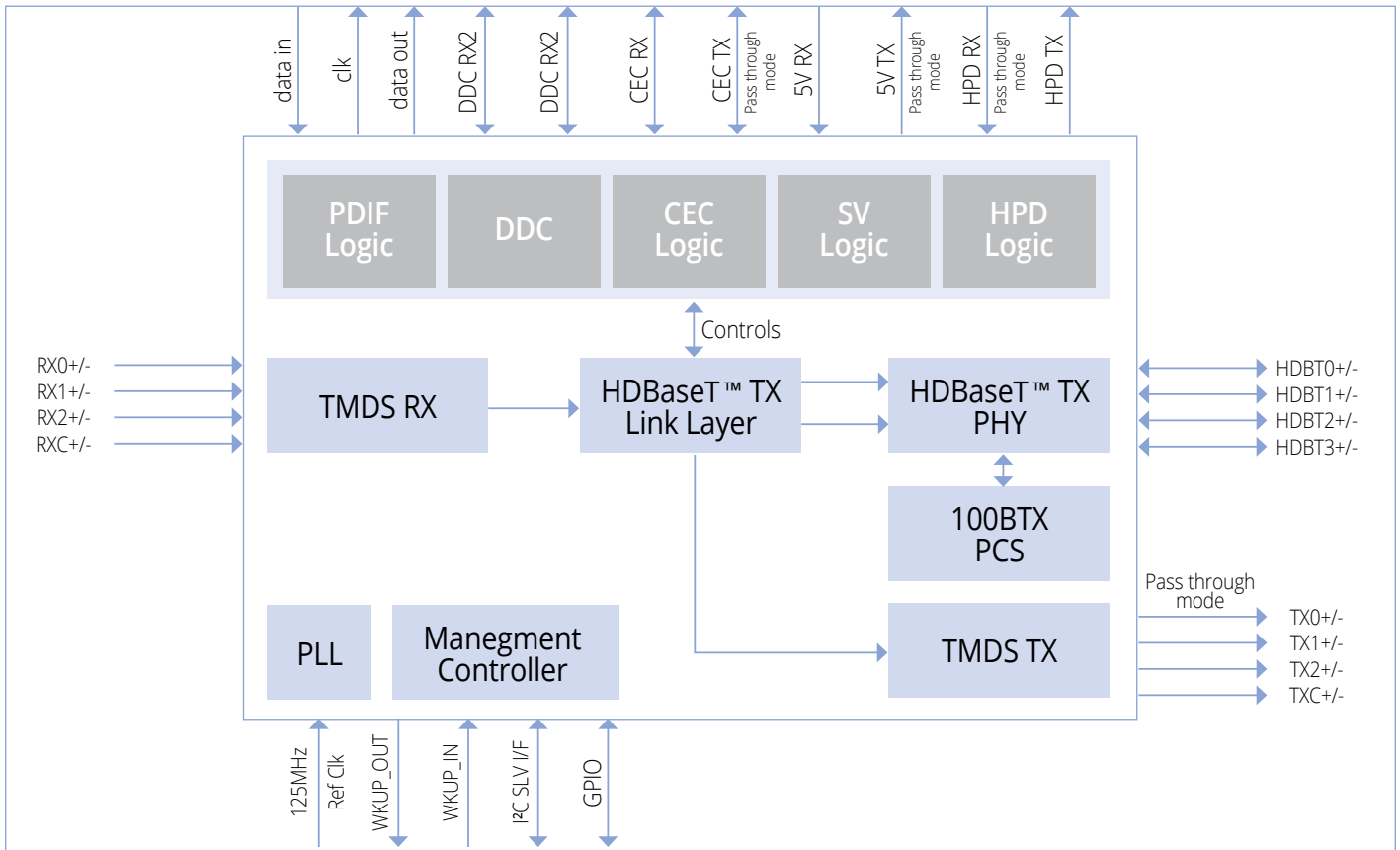
The VS010 family consists of two chips:

- **VS010TX (Transmitter):** For DVDs, STBs and other HD source equipment.
- **VS010RX (Receiver):** For HDTVs, projectors and other display equipment.

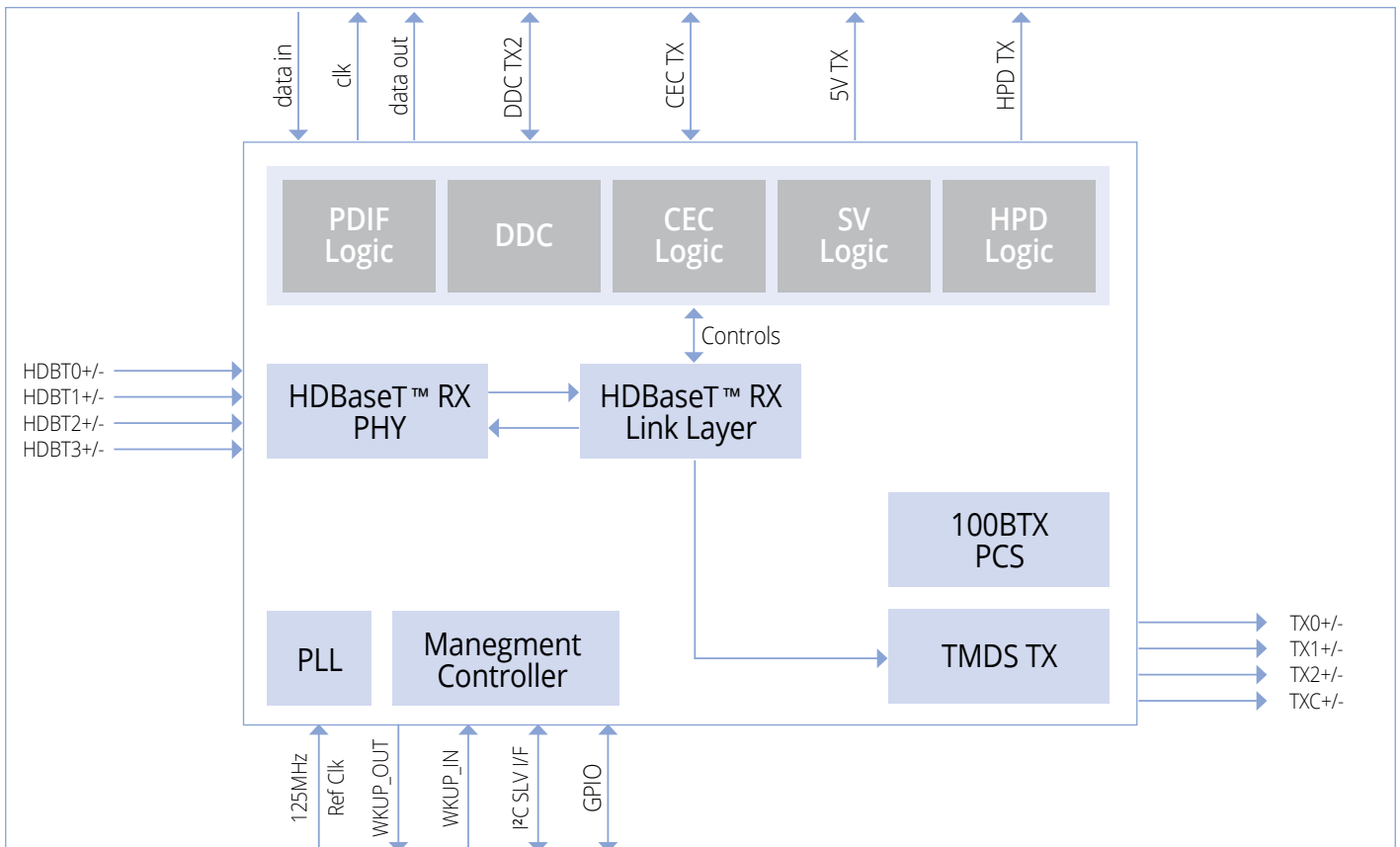


The following block diagram illustrates the major VS010 components:

VS010TX



VS010RX



Applications

The VS010 chip can be used in various applications throughout multiple industries.

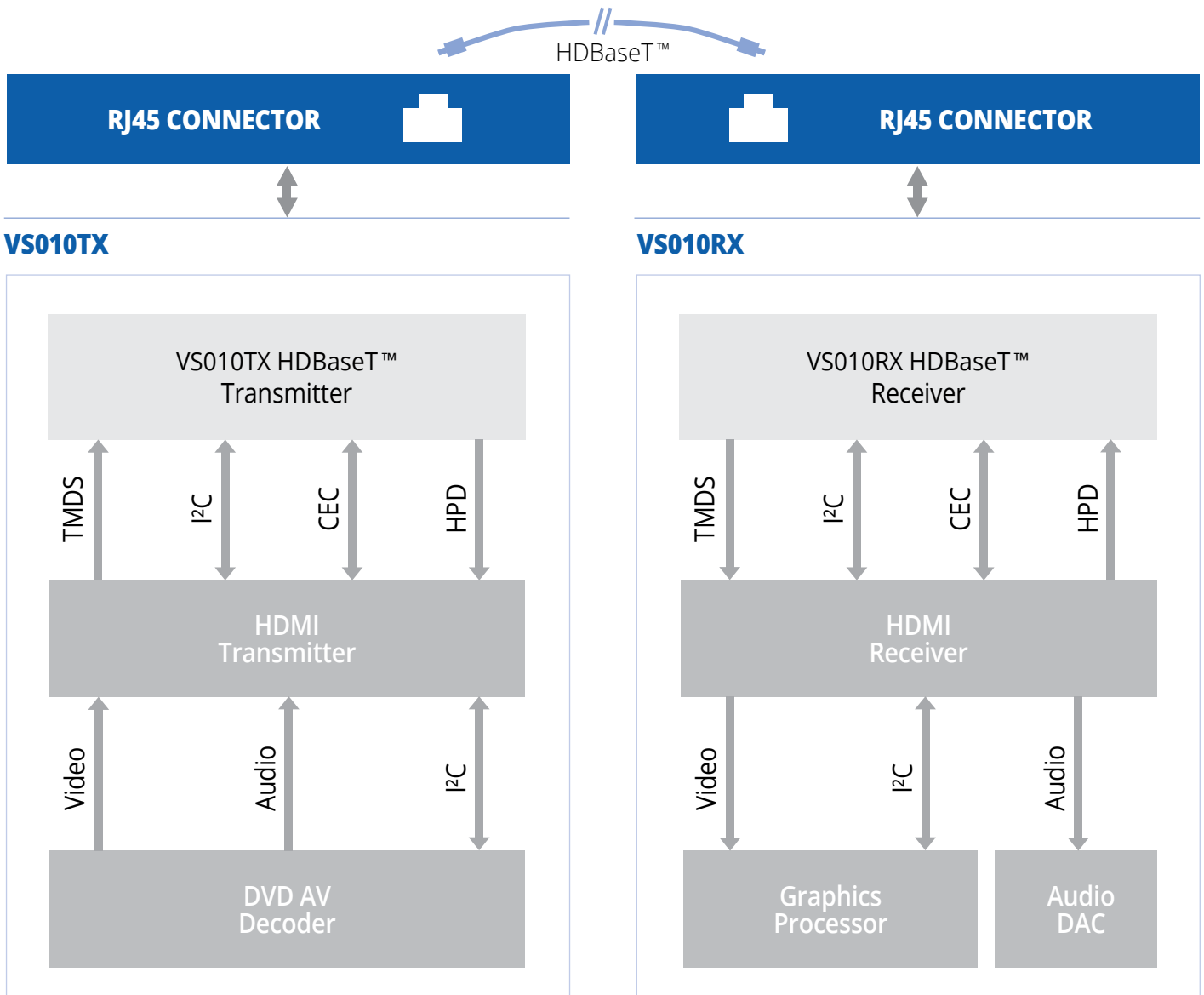
VS010TX:

Blu-ray, DVD players and recorders, digital set-top-boxes (STBs), game consoles, PCs, HDMI repeaters, splitters, switches, HDBaseT™ Switch, A/V receivers, surveillance cameras

VS010RX:

A/V receivers, DTVs, LCDs and plasma displays, rear and front projectors, HDMI repeaters, splitters, switches, HDBaseT™ Switch, digital signage, DVR for surveillance

The following diagram illustrates an example of system functionality of HDBaseT VS010 :



Key Technical Highlights

Features

Complies with HDBaseT™ 1.0

Interplay with Valens' VS100 product line

Simultaneous distribution of the following to a distance of up to 70 meters over a Cat5e/cat6a cable:

- Uncompressed high definition (HD) video:
1080p@60Hz@36 bits, 1080p@60Hz@48 bits, 3D, 4K x 2K up to a distance of 40m/150ft
 - High-quality audio
 - Power over cable
 - Control signals including RS232 and infrared
-

HDCP Compliant

HDMI RX interfaces for easy integration

CISPR/FCC Class B EMC/EMI compliance

Power:

- 1V, 1.8V and 3.3V
 - 5V tolerant IOs
-

196-pin LPGA, 15mm x 15mm

0°C to 70°C operating temperature

RoHS and Green compliant

VS010TX supported interfaces

HDBaseT™ TX

1xHDMI in

1xHDMI out

Bi-directional control channel which can be used for example for RS232 and IR control

I²C slave management

VS010RX supported interfaces

HDBaseT™ RX

1xHDMI out

Bi-directional control channel which can be used for example for RS232 and IR control

I²C slave management



Contact Information
8 Hanagar St., POB 7152
Hod Hasharon 45240 Israel
Tel: +972-9-762-6900
Fax: +972-9-762-6901
info@valens.com

www.valens.com