

# 深圳市天成照明有限公司

## SPECIFICATIONS

### 产品规格书

客户名称		产品名称	5050 RGB
客户代码		产品规格	TC5050RGBF08-3CJH



客 户 确 认			
制定	审核	核准	
黄奕源		金国奇	
版本号 (Version No): 2.0			



地址：深圳市宝安区松岗街道东方大道 33 号

电话：0755-29573599 29573979 传真：0755-29573533

网址：<http://www.tczmled.com> 邮编：518106

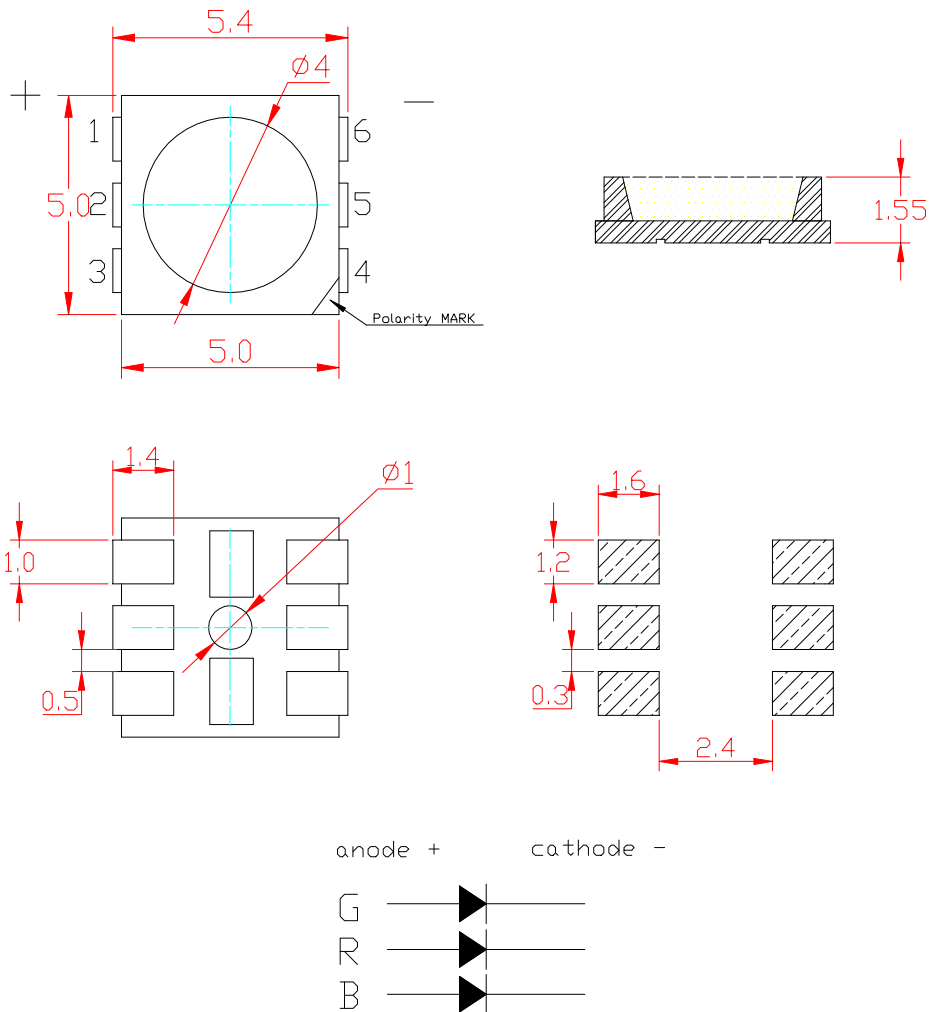


## ◆ Mechanical Specification (产品特性)

- **5.00mm\*5.00mm\*1.55mm SMD LED**  
(表面贴片器件尺寸为5.00mm\*5.00mm\*, 1.55mm)
- **The materials of the LED dice is InGaN**  
(发光二极管所用芯片材料为氮化镓)
- **Suitable for all SMT assembly and welding process**  
(适用于的所有的SMT装配和焊接工艺)
- **moisture resistant grade: Level 2a**  
(防潮等级Level 2a)



## ◆ Package Outline (封装尺寸)



### NOTES:

1. All dimensions are in millimeters (所有标注尺寸的单位均为毫米)
2. Tolerances are  $\pm 0.2\text{mm}$  unless otherwise noted (除了特别注明, 所有标注尺寸的公差均为 $\pm 0.2\text{mm}$ )

**◆ Absolute maximum ratings at Ta=25°C (绝对最大额定值)**

Parameters (参数)	Symbol (符号)	Value (值)	Unit(单位)
Power Dissipation (功耗)	Pd	200	mW
Forward Current (正向电流)	IF	20*3	mA
Pulse Forward Current (脉冲电流)	IFP	100	mA
Reverse Voltage (反向电压)	VR	5	V
Electrostatic Discharge (静电)	ESD	2000(HBM)	V
Operating Temperature (操作温度)	Topr	-40 ~ +85 °C	°C
Storage Temperature (保存温度)	Tstg	-40 ~ +100 °C	°C

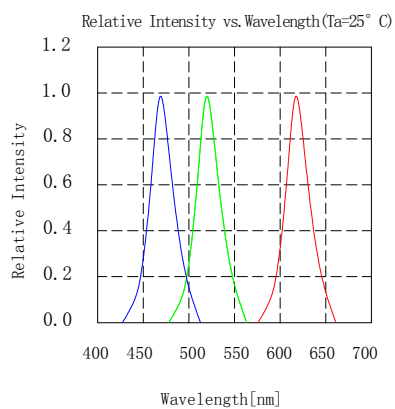
**◆ Electro-optical characteristics at Ta=25°C (电光特性)**

Item (项目)	Symbol (符号)	Mix (最小)	Typ (平均)	Max (最大)	Unit (单位)	Conditions (测试条件)
Forward voltage (正向电压)	VF	G	3.0	3.2	V	IF=20*3mA
		R	2.0	2.2		
		B	3.0	3.2		
Reverse current (反向电流)	IR	--	--	5	μ A	VR = 5V
Dominant wavelength (主波长)	λ d	G	520	522.5	nm	IF=20*3mA
		R	617.5	620		
		B	465	467.5		
Luminous intensity (发光强度)	IV	G	1500	2000	mcd	IF=20*3mA
		R	500	700		
		B	400	600		

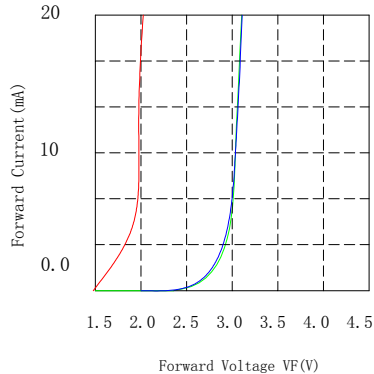
**NOTE:** (Tolerance: Iv ±10%, λd ±2nm, Vf ±0.05V) (公差: Iv ±10%, λd ±2nm, Vf ±0.05V)

## ◆ Typical optical characteristics curves (典型光学特性曲线)

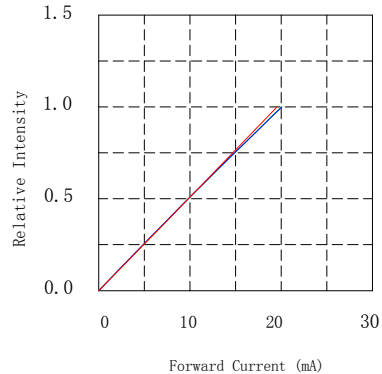
### Spectral Distribution



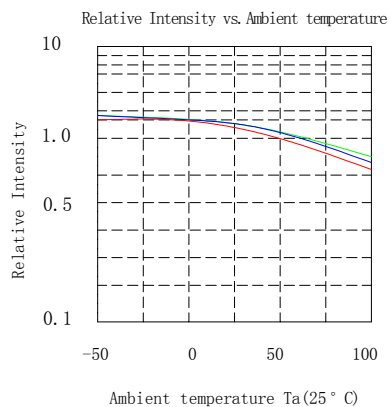
### Forward current vs. Forward Voltage (Ta=25° C)



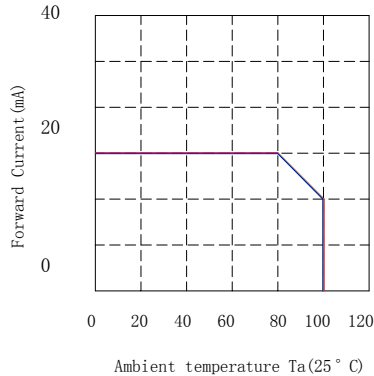
### Relative Intensity vs. Forward Current (Ta=25° C)



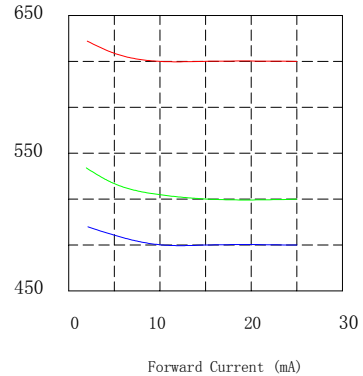
### Detrating



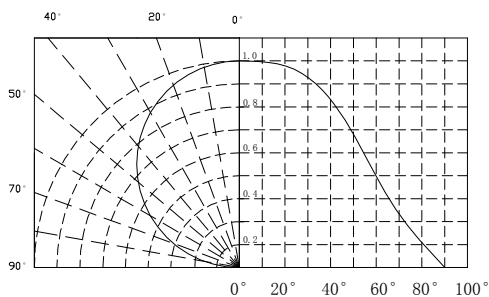
### Ambient temperature vs. Maximum Forward Current



### Forward Current vs. Chromatic (Ta=25° C)

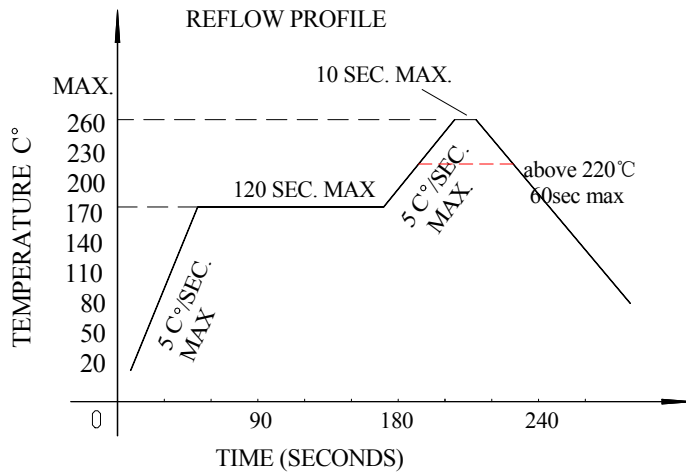


### Diagram characteristics of radiation



## ◆ Reflow profile (焊接说明)

### ■ SMD Reflow Soldering Instructions (回流焊简介)



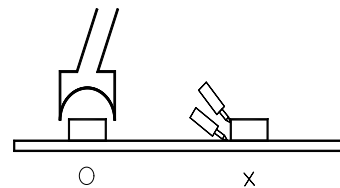
1. Reflow soldering should not be done more than two times  
回流焊次数不应超过 2 次
2. When soldering, do not put stress on the LEDs during heating  
焊接时，在加热过程中不能有应力作用于 LED 灯珠

### ■ Soldering iron (烙铁)

1. When hand soldering, keep the temperature of the iron under 300°C, and at that temperature keep the time under 3 sec.  
手工焊接时，烙铁温度控制在 300°C 以下，且时间不可超过 3 秒
2. The hand soldering should be done only a time  
手工焊接只可焊接一次

### ■ Rework (返工)

1. Customer must finish rework within 5 sec under 260°C  
温度保持在 260°C 以下，5 秒内完成返工作业
2. The head of iron can not touch the LEDs  
烙铁不能碰触到 LED 灯珠
3. Twin-head type is preferred.  
双头形烙铁为最佳



## ■ CAUTIONS (注意事项)

The encapsulated material of the LEDs is silicone. Therefore the LEDs have a soft surface on the top of package. The pressure to the top surface will be influence to the reliability of the LEDs. Precautions should be taken to avoid the strong pressure on the encapsulated part. So when using the picking up nozzle, the pressure on the silicone resin should be proper.

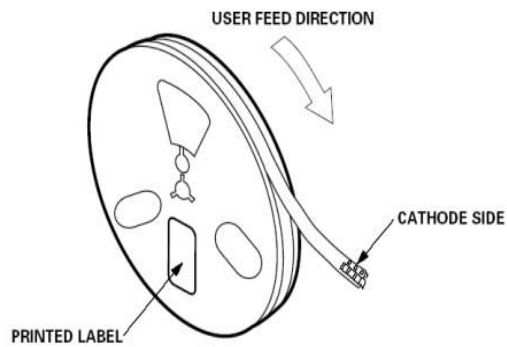
封装的 LED 为硅材料。该 LED 具有软表面的封装顶部。顶部表面的压力会影响 LED 的可靠性。应采取预防措施，以避免有过大的压力作用于在封装件上。因此，在选用吸嘴时，应适用于有机硅树脂的压力。

**◆ Reliability (可靠性)**
**TEST ITEMS AND RESULTS (测试项目和结果)**

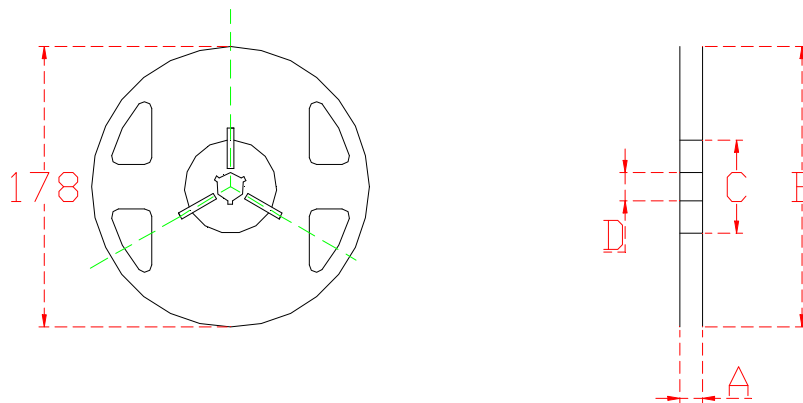
Test Item (测试项目)	Ref.Standard (参考标准)	Test Conditions (测试条件)	Note (备注)	Conclusion (结论)
Reflow Soldering (回流焊)	JESD22-B106	Tsld=260℃,10sec	3 times	0/22
Temperature Cycle (温度循环)	JESD22-A104	-20℃ 30min ↑↓15min 120℃ 30min	200 cycle	0/100
Thermal Shock (冷热冲击)	JESD22-A106	-40℃ 15min ↑↓15sec 125℃ 15min	200 cycle	0/100
High Temperature Storage (高温存储)	JESD22-A103	T <sub>a</sub> =100℃	1000 hrs	0/100
Low Temperature Storage (低温存储)	JESD22-A119	T <sub>a</sub> =-40℃	1000 hrs	0/100
Power temperature Cycling (点亮高低温循环)	JESD22-A105	On5min-40℃>15min ↑↓     ↑↓<15min Off5min100℃>15min	200 cycle	0/100
Life Test (老化测试)	JESD22-A108	T <sub>a</sub> =25℃ I <sub>F</sub> =60mA	1000 hrs	0/100
High Humidity Heat Life Test (高温高湿)	JESD22-A101	60℃ RH=90% I <sub>F</sub> =60mA	1000 hrs	0/100

## ◆ Packaging Specifications (包装规格)

### ● Feeding Direction (进料方向)

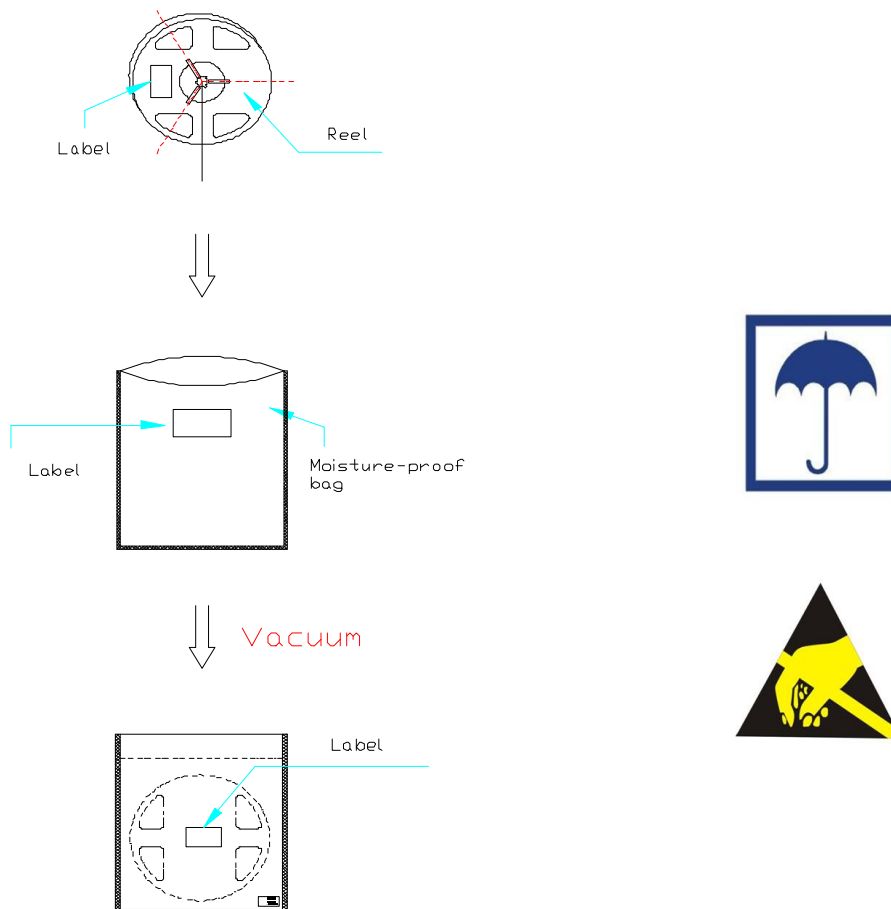


### ● Dimensions of Reel (Unit: mm) (卷轴尺寸 (单位: 毫米))



A	8.0±0.1mm
B	178±1mm
C	60±1mm
D	13.0±0.5mm

## 1、Packing Icon (包装图标)



## 2、Label Icon (标签图标)

The label contains the following information:

- Company Name: 深圳市天成照明有限公司
- Product Model: 产品型号
- Product Number: 产品编号
- Product Color Zone: 产品色区
- Product Quantity: 产品数量
- Product Parameters: 产品参数
- Barcode: 产品条形码
- Product BIN Number: 产品 BIN 号

Technical specifications and parameters:

- PN:xxxxxxxxxxxxxxxx
- SN:xxxxxxxx
- CIEXY:xxx
- QTY:xxx

	R	G	B
VF(v)			
IV(mcd)			
nm			