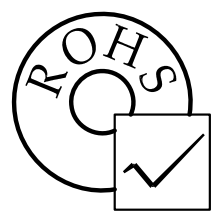
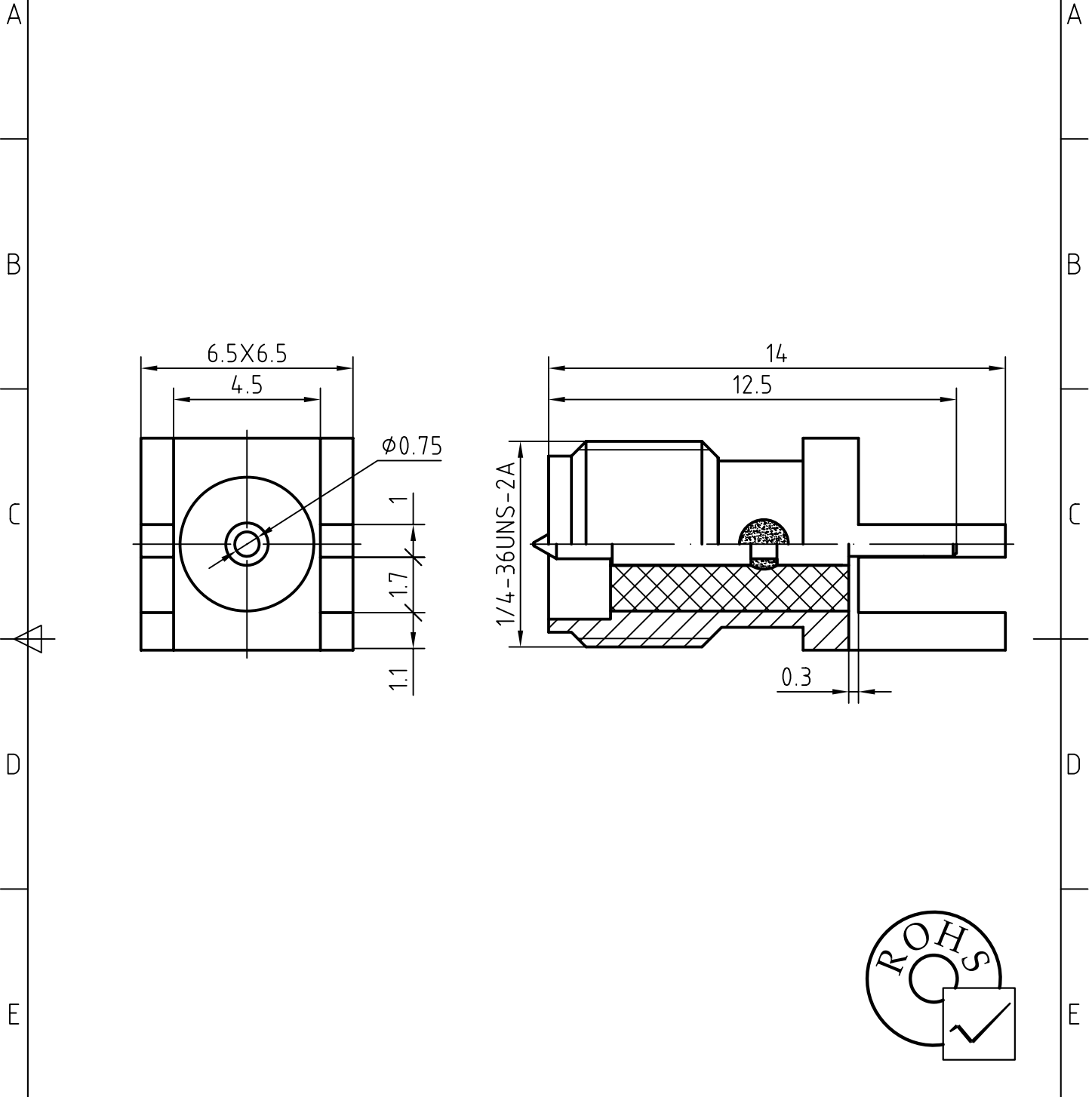


1	2	3	4
RevNo	Revision note	Date	Signature
			Checked



3	1	Centor contact	Brass/Gold plated	
2	1	Insulator	PFTE	
1	1	Body	Brass/Gold plated	
Itemref	Quantity	Title/Name, designation, material, dimension etc		Article No./Reference

Designed by Mingang Han	Checked by Jinlong GU	Approved by - date Hongyu Du	File name (RP)SMA-JHDC	Date 06.10.31	Scale 6:1
			(RP)SMA-JHDC		
			Edition 1.0	Sheet 1/1	