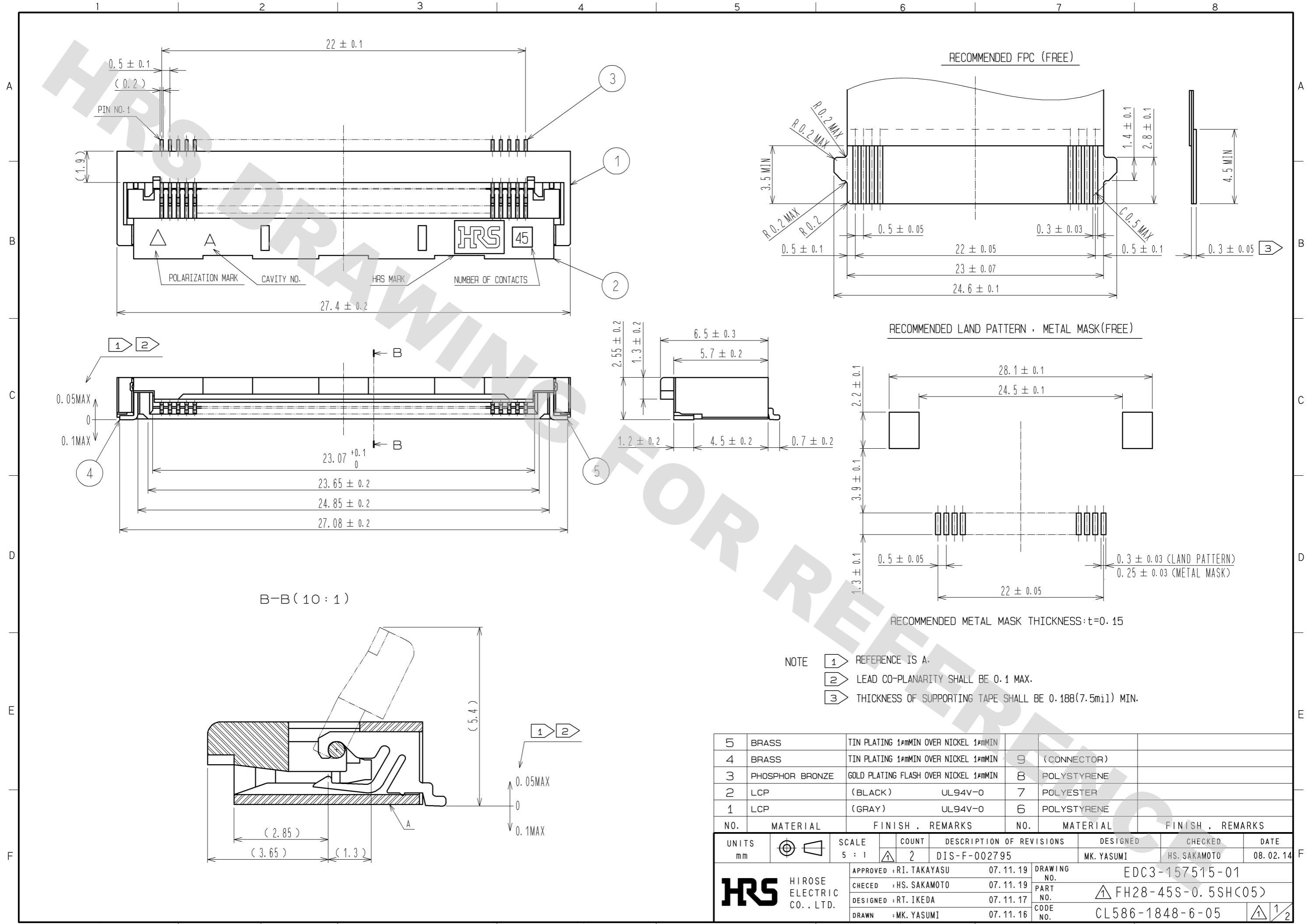


DRAWING FOR REFERENCE: This is subject to change without notice  
08/11/2012



NO.	MATERIAL	FINISH	REMARKS	NO.	MATERIAL	FINISH	REMARKS
5	BRASS	TIN PLATING 1#mMIN OVER NICKEL 1#mMIN					
4	BRASS	TIN PLATING 1#mMIN OVER NICKEL 1#mMIN	9			(CONNECTOR)	
3	PHOSPHOR BRONZE	GOLD PLATING FLASH OVER NICKEL 1#mMIN	8			POLYSTYRENE	
2	LCP	(BLACK) UL94V-0	7			POLYESTER	
1	LCP	(GRAY) UL94V-0	6			POLYSTYRENE	

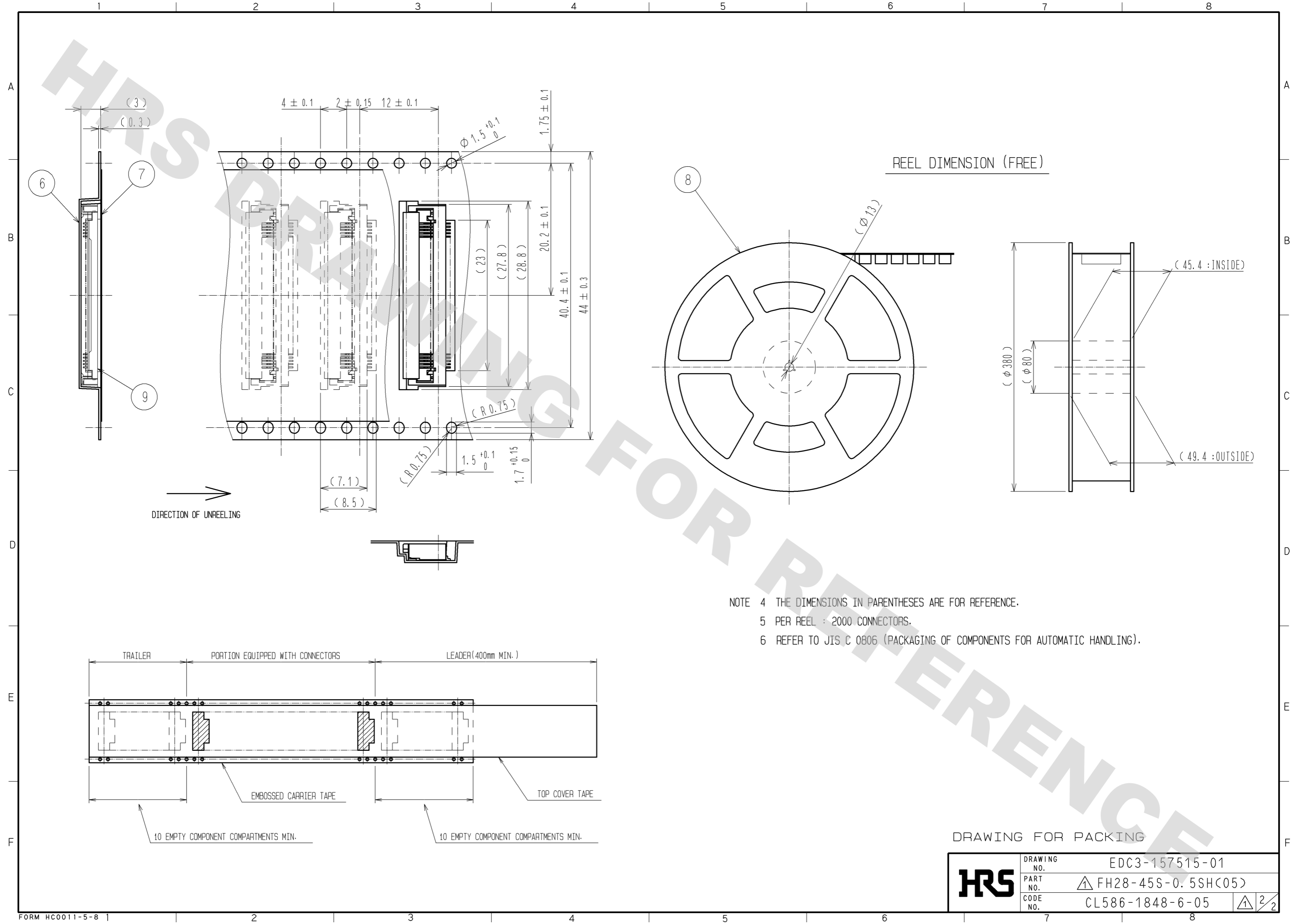
  

UNITS	SCALE	COUNT	DESCRIPTION OF REVISIONS	DESIGNED	CHECKED	DATE
mm	5:1	2	DIS-F-002795	MK. YASUMI	HS. SAKAMOTO	08.02.14

APPROVED	DATE	DRAWING NO.
RI. TAKAYASU	07.11.19	EDC3-157515-01
CHECKED	DATE	PART NO.
HS. SAKAMOTO	07.11.19	△ FH28-45S-0.5SH(C05)
DESIGNED	DATE	CODE NO.
RT. IKEDA	07.11.17	CL586-1848-6-05
DRAWN	DATE	
MK. YASUMI	07.11.16	

DRAWING FOR REFERENCE: This is subject to change without notice  
08/11/2012



<b>HRS</b>	DRAWING NO.	EDC3-157515-01	
	PART NO.	△ FH28-45S-0.5SH(C05)	
	CODE NO.	CL586-1848-6-05	△ 2/2