

LAN PRODUCTS

RJ45 CONNECTOR WITH INTEGRATED MAGNETICS

- Meet IEEE 802.3 and IEEE 802.3ab Requirement
- 1500 Vrms Minimum Isolation
- 350 uH Minimum OCL with 8 mA bias current
- High performance for maximum EMI suppression

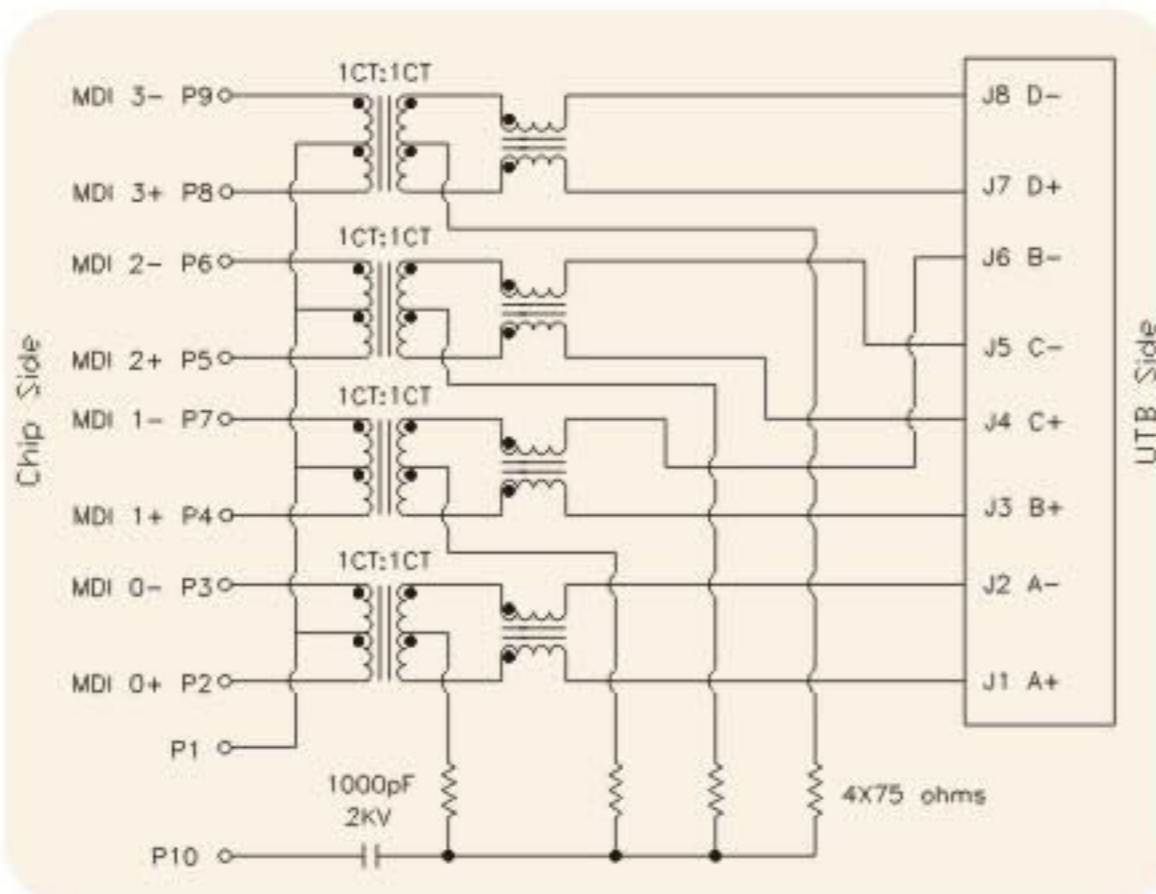


SINGLE PORT CONNECTORS SPECIFICATIONS

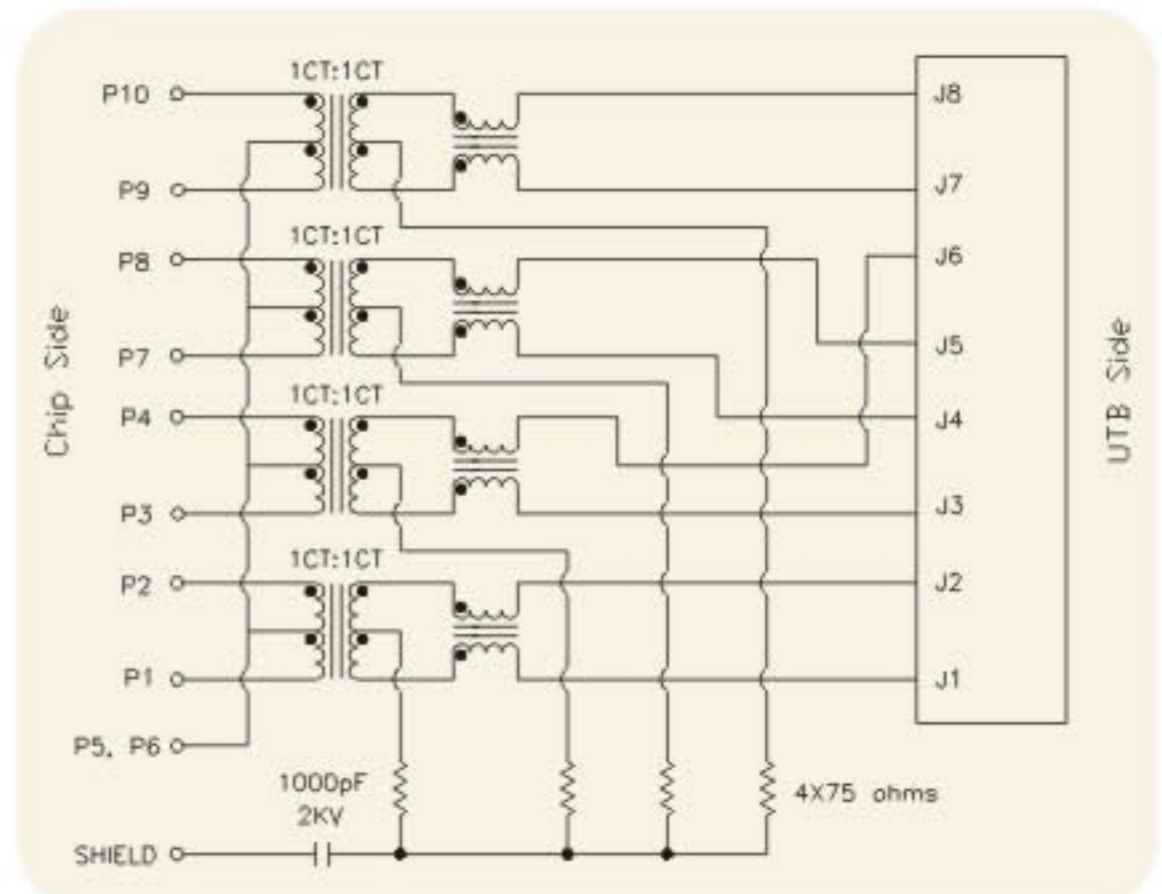
Gigabit(10/100/1000Base-T)						10/100Base-TX							
Part Number	Turns Ratios	LED (L/R)	EMI Fingers	Sch.	Package	Part Number	Turns Ratios TX	Turns Ratios RX	LED (L/R)	EMI Fingers	Sch.	Package	
HR901130A	1CT:1CT	No	No	1	A(10Pin)	HR901101A	1CT:1CT	1CT:1CT	No	No	4	A(8Pin)	
HR901131A	1CT:1CT	No	No	2	A(10Pin)	HR901102A	1:1CT	1CT:1CT	No	No	5	A(8Pin)	
HR911130C	1CT:1CT	G/Y	YES	1	C(10Pin)	HR901110A	1CT:1CT	1CT:1CT	No	No	3	A(8Pin)	
HR901131C	1CT:1CT	No	YES	2	C(10Pin)	HR901103C	1:1CT	1CT:1CT	No	YES	6	C(8Pin)	
10Base-T						HR911103C	1:1CT	1CT:1CT	G/Y	YES	6	C(8Pin)	
Part Number	Turns Ratios TX	Turns Ratios RX	LED (L/R)	EMI Fingers	Sch.	Package	HR911105A	1CT:1CT	1CT:1CT	G/Y	No	9	A(8Pin)
HR901170A	1CT:1CT	1CT:1CT	No	No	8	A(8Pin)	HR911102A	1:1CT	1CT:1CT	G/Y	No	5	A(8Pin)
HR901175A	2.5:1CT	1:1CT	No	No	7	A(8Pin)	HR911110C	1CT:1CT	1CT:1CT	G/Y	YES	3	C(8Pin)

Schematic

TYPE 1



TYPE 2

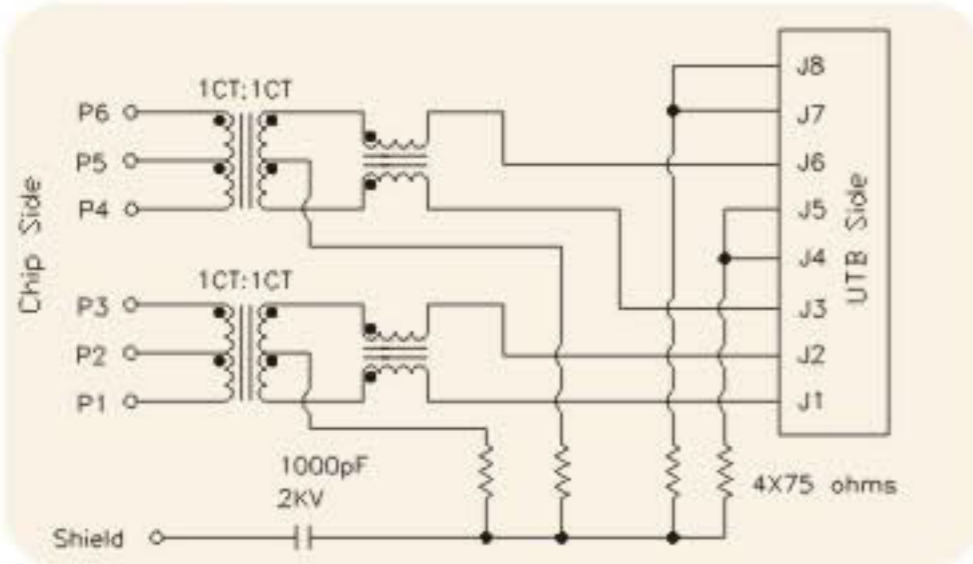


LAN PRODUCTS

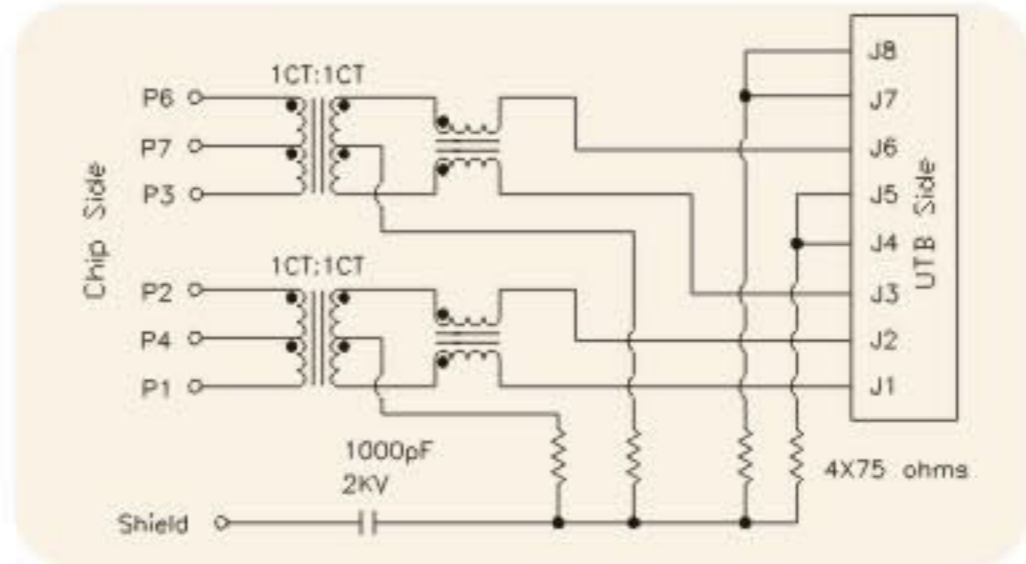
RJ45 CONNECTOR WITH INTEGRATED MAGNETICS

Schematic

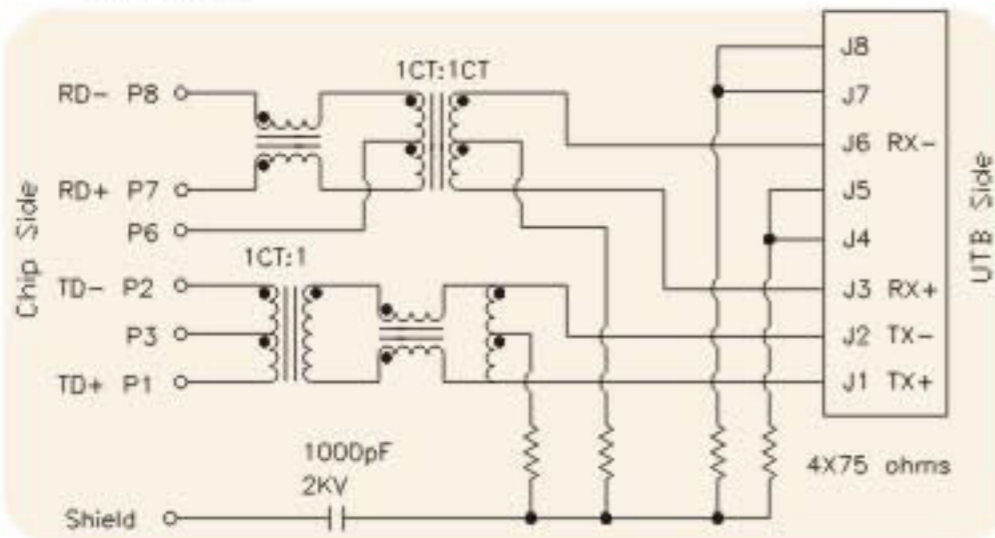
TYPE 3



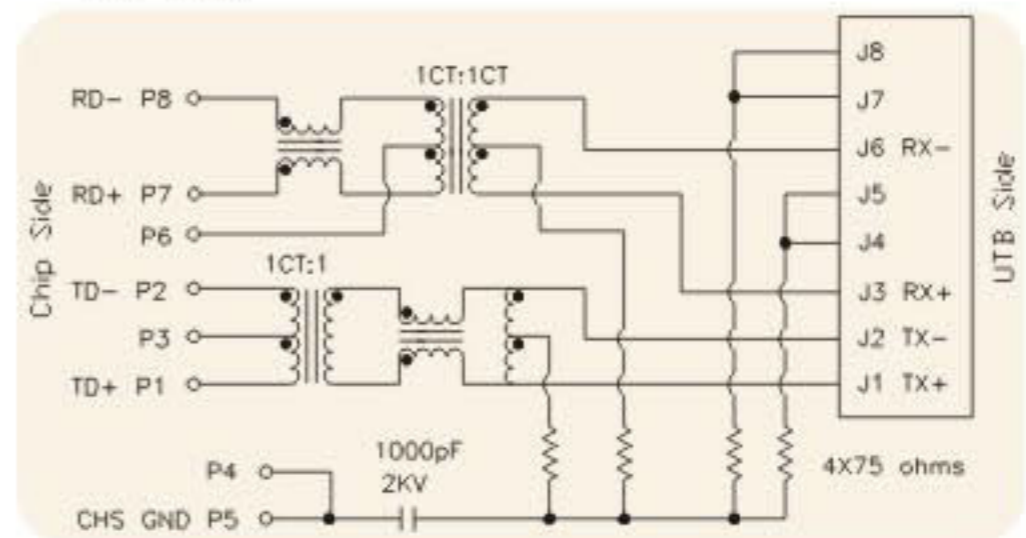
TYPE 4



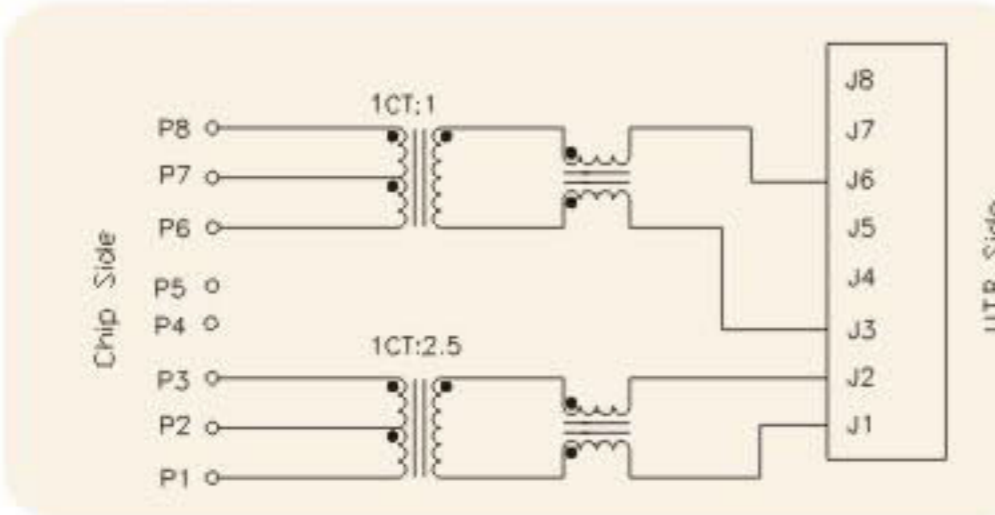
TYPE 5



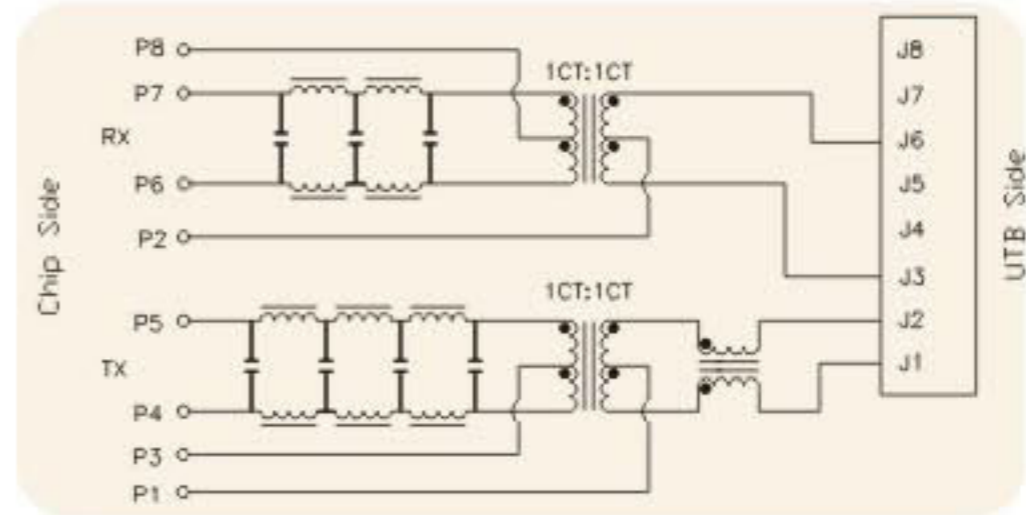
TYPE 6



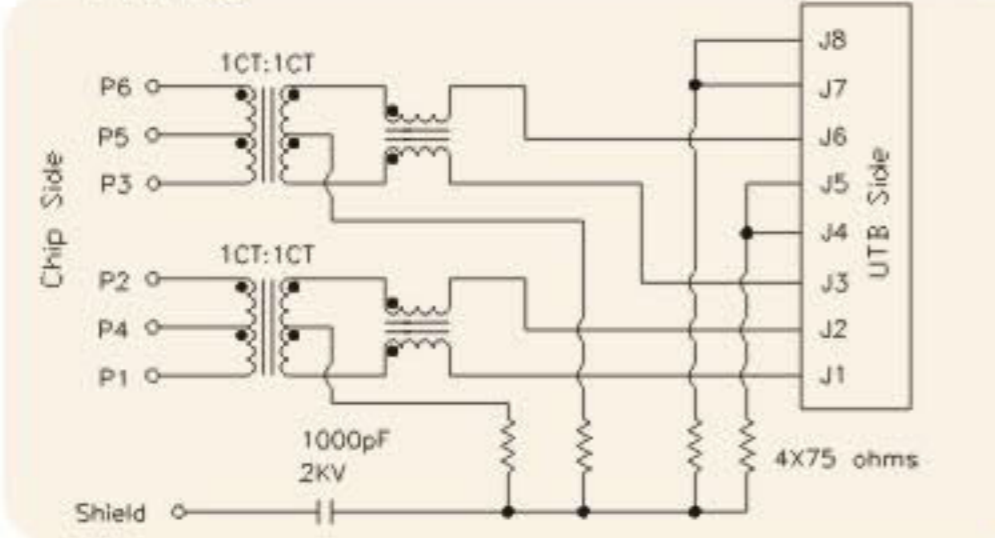
TYPE 7



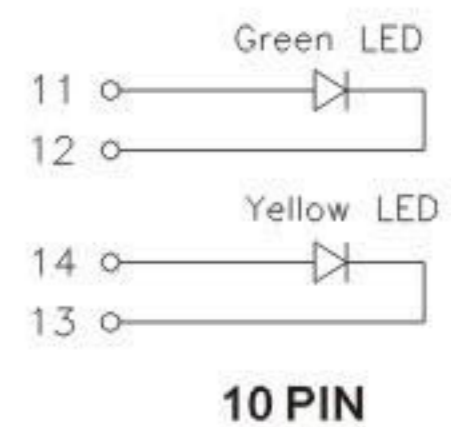
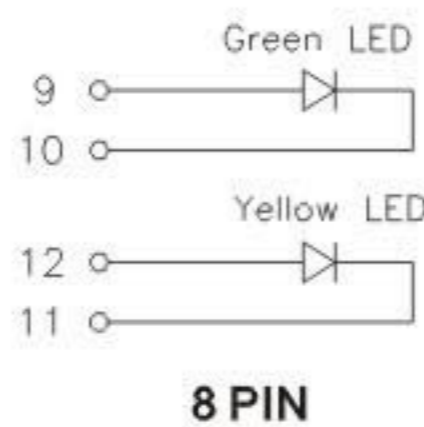
TYPE 8



TYPE 9



LED Configuration

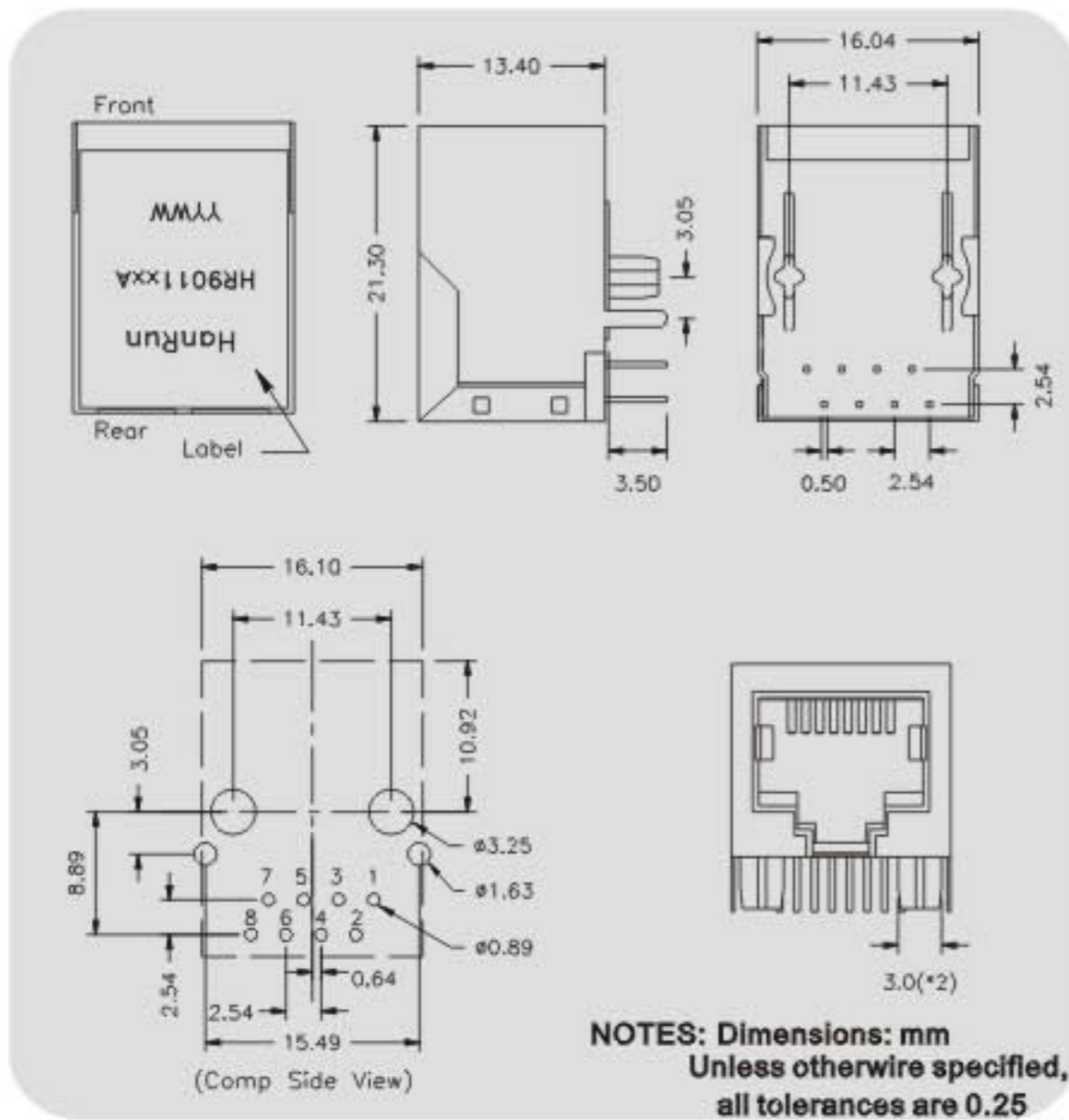


LAN PRODUCTS

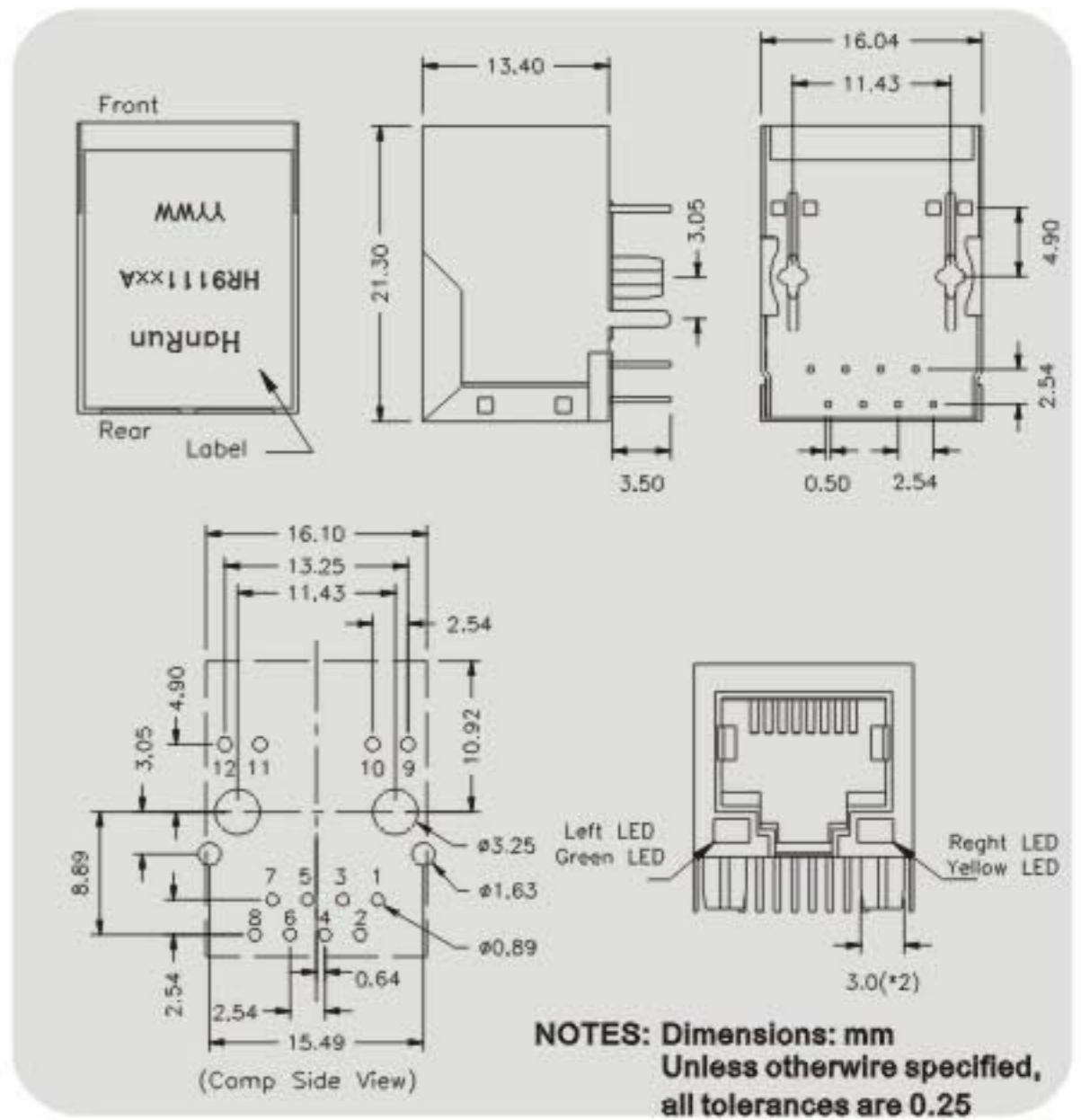
RJ45 CONNECTOR WITH INTEGRATED MAGNETICS

Mechanical (8Pin)

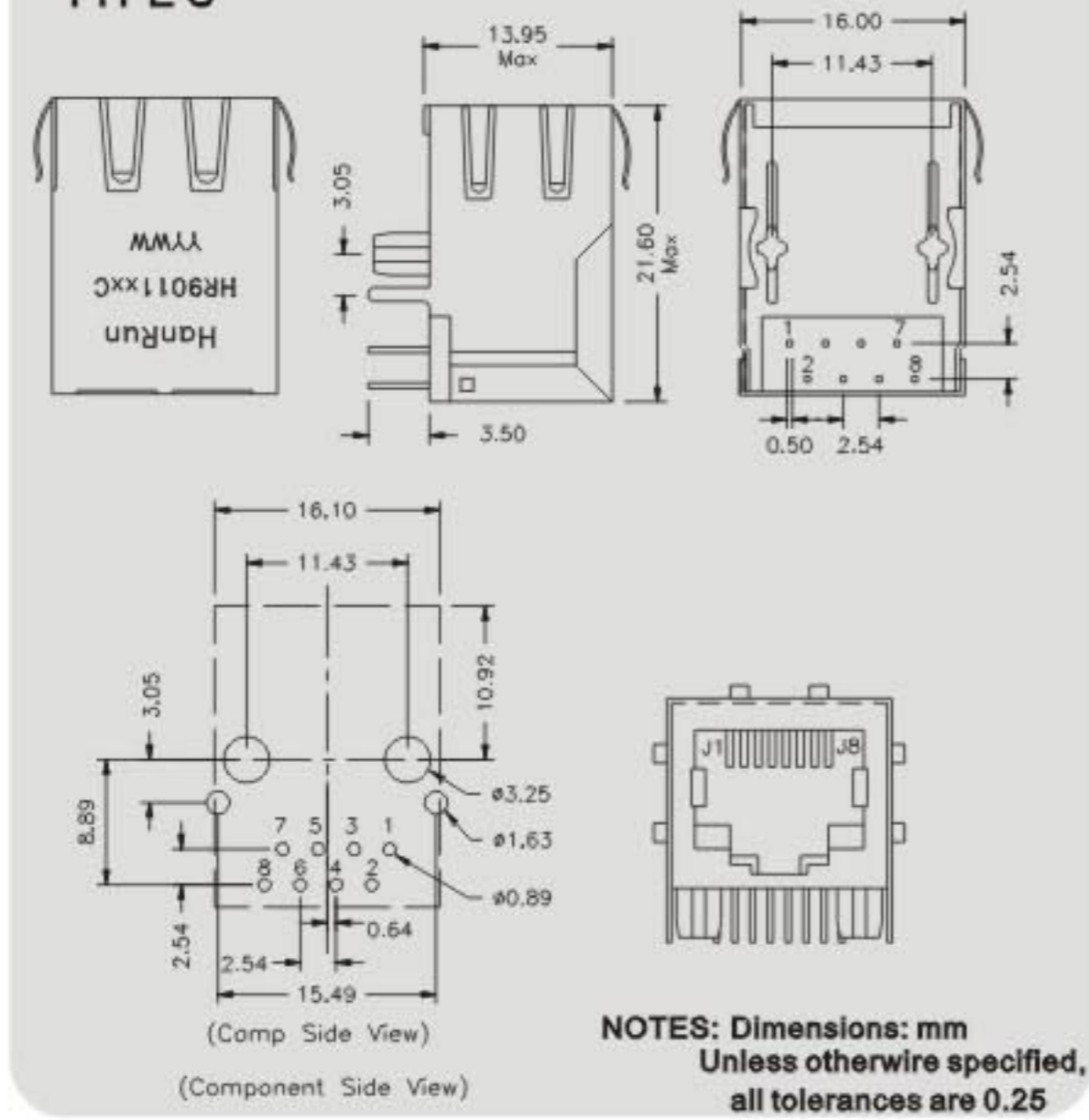
TYPE A



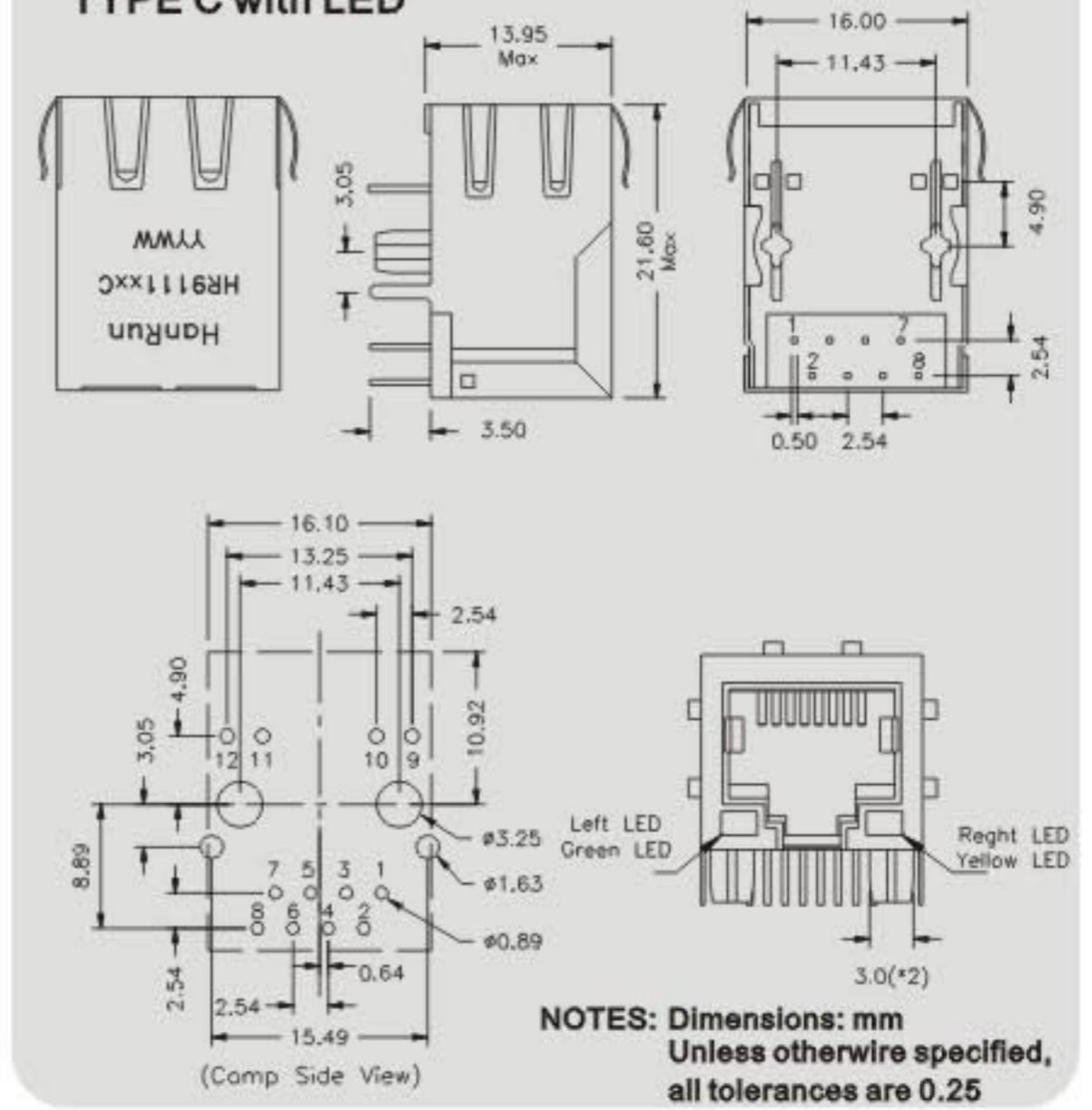
TYPE A with LED



TYPE C



TYPE C with LED

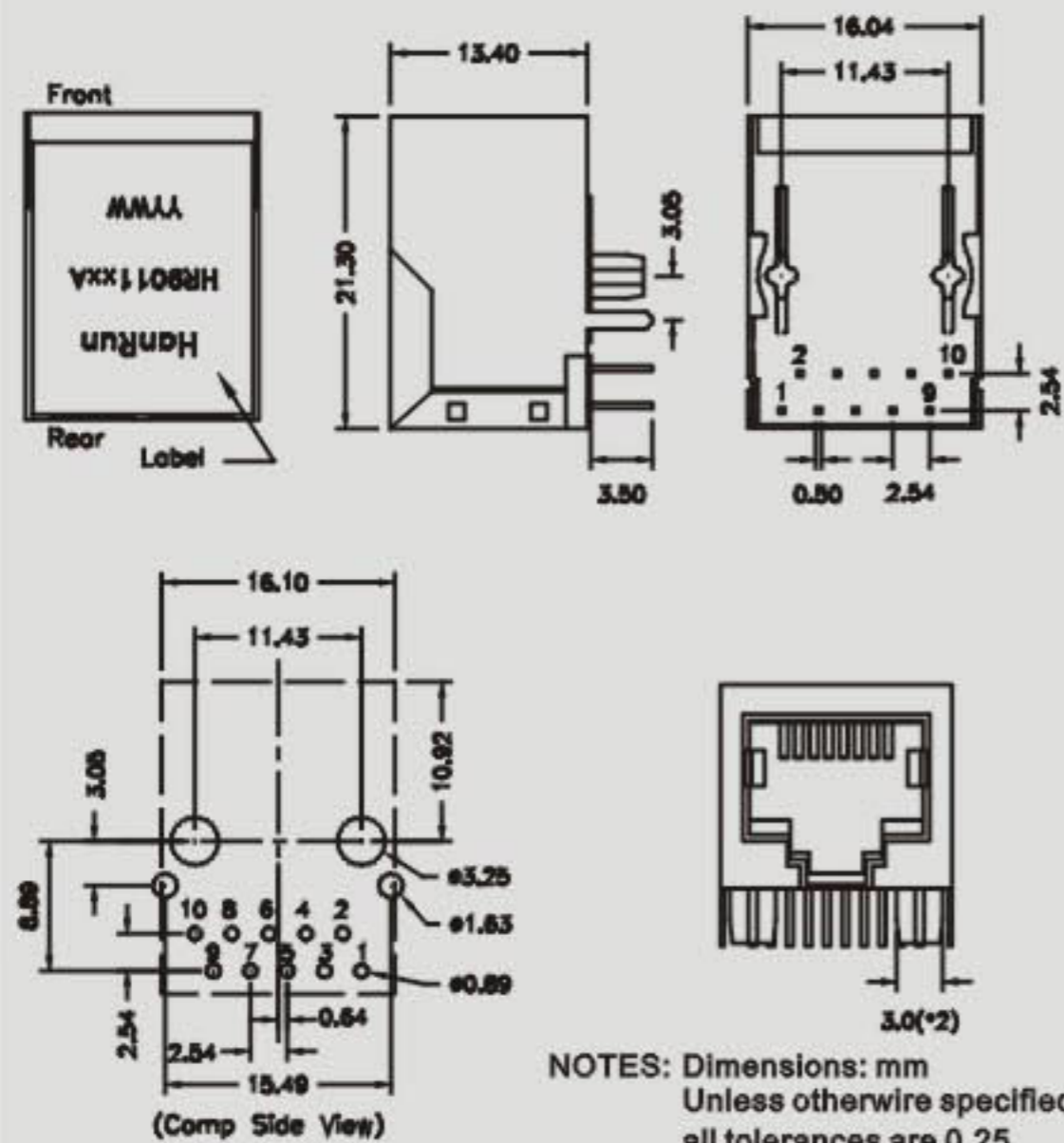


LAN PRODUCTS

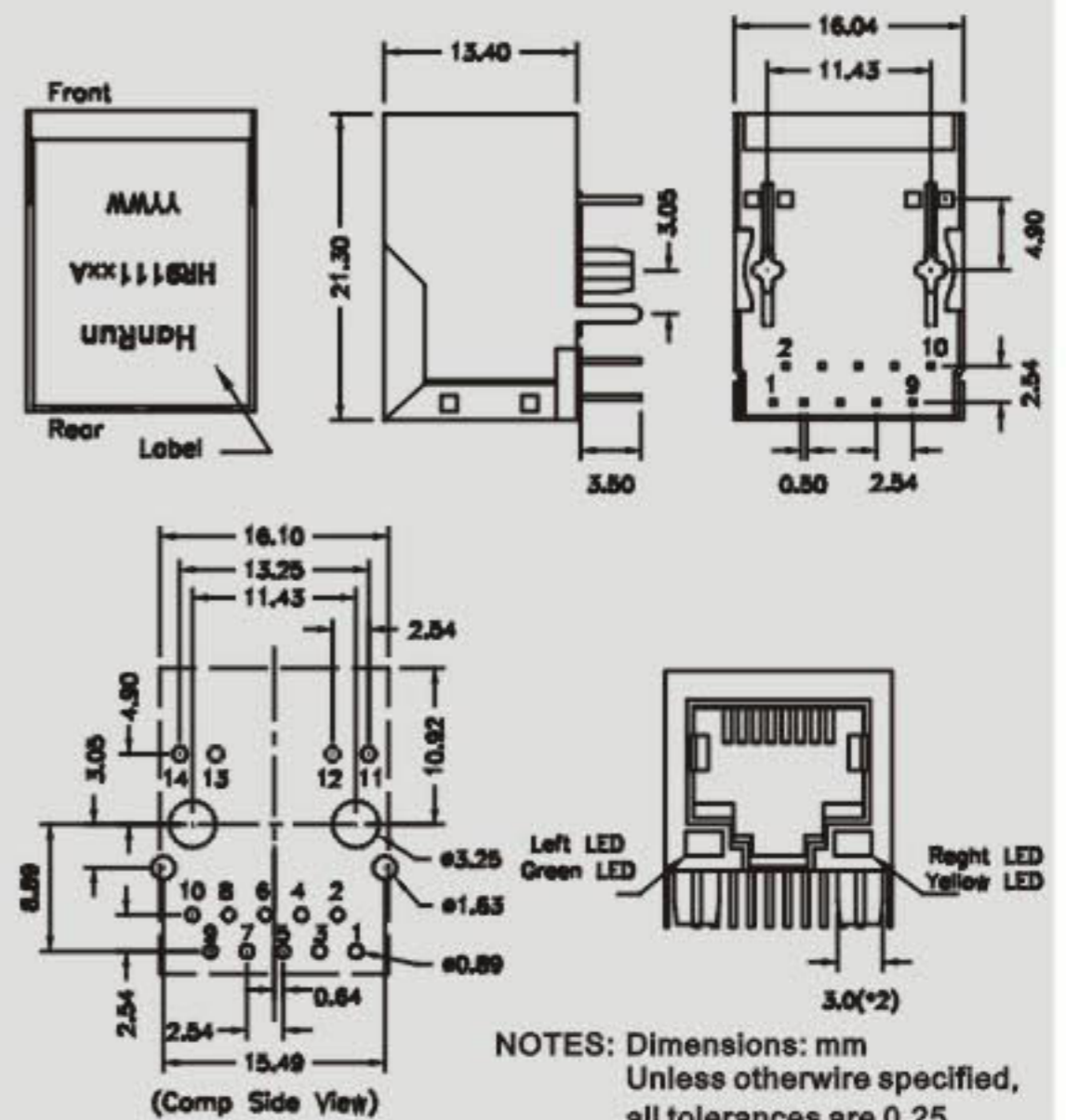
RJ45 CONNECTOR WITH INTEGRATED MAGNETICS

Mechanical (10Pin)

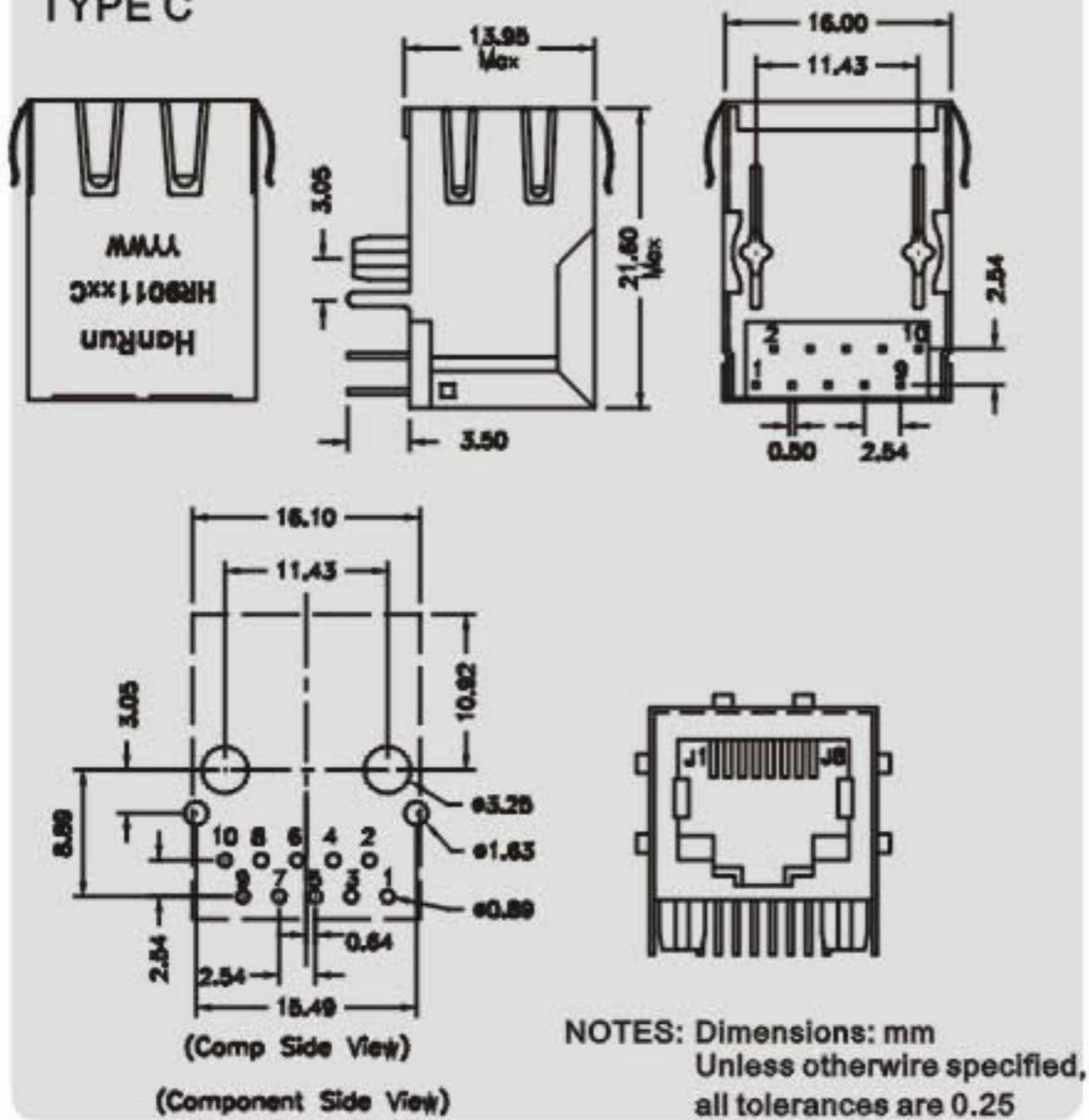
TYPE A



TYPE A with LED



TYPE C



TYPE C with LED

