

SynJet[®] PAR30 LED Cooler with HS

Features/Benefits

- Covers all your PAR30 LED track light cooling needs
 - Ultra high powered applications like Spot Lights
 - Low acoustic applications like Desk Lamps
 - Universal applications like General Lighting
- Meets PAR30 form factor
- 100K hours L10 life at 50C



Overview

SynJet[®] fanless air moving technology provides the most reliable active cooling solution available today. The SP30S family of SynJet[®] cooling modules has been developed by Nuventix Inc. for cooling a PAR30 lamp. It can be integrated with a wide array of electronic and optical solutions in the PAR30 form factor.

Specifications

Parameter	Θ _{s-a} ¹²³	SPL (dBA) ⁴	TDP ⁵ (W)	Power W (5V) ⁶
SynJet, PAR30, High Performance 45W Cooler	0.88	28	45	1.5
SynJet, PAR30, Standard 35W Cooler	1.13	22	35	1.5
SynJet, PAR30, Silent 30W Cooler	1.33	18	30	1.0

Parameter – All Modules	Min	Typ	Max	Units	Conditions
Voltage	4.75		5.25	VDC	150mV max ripple p-p
Power Lead					Power (Red wire) Ground (Black wire)
Operating Temperature	0		50	°C	
Storage Temperature	-40		75	°C	
Storage Altitude			15K	m	Above Sea Level
Relative Humidity (operating)	5		95	%	Non-condensing
Weight			298	gr	<231gr for the heat sink and <67gr for the cooler
Agency Certifications					RoHS, CE, UL
Reliability ⁷			100K	hrs	L10 @ 50°C

¹ In fully open air or well vented fixtures from 25C to 50C in full on condition. Thermal data is given as a reference only. Actual performance may vary by application.

² Thermal resistance is measured from the bottom middle of the heat sink, with a heat source at least 10cm², to ambient air measured at the inlet to the SynJet.

³ SynJet Cooler is suitable for enclosed fixtures but thermal performance will vary depending on the enclosure

⁴ Per ISO 7779

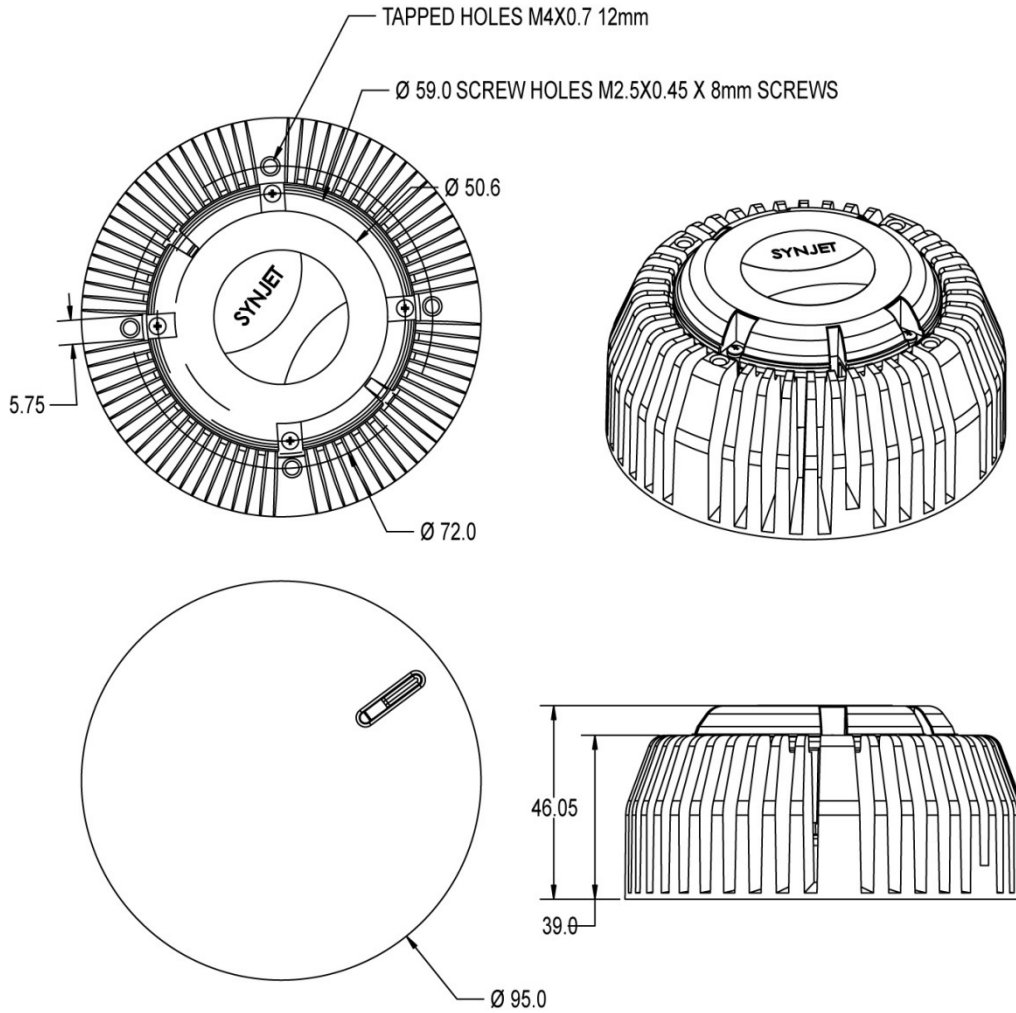
⁵ Total Design Power based on a 40°C delta in temperature

⁶ See Nuventix Design Guide for detailed power requirements

⁷ L10 is the life for which 90% of a group of modules will meet or exceed the specification

PRODUCT

Mechanical drawing



All dimensions in mm.

Part Numbers

PAR30Cooler	Document revision: 1.0
SP30S-CM005-003	SynJet, PAR30, 5v - High Performance 45W Cooler
SP30S-CM005-002	SynJet, PAR30, 5v - Standard 35W Cooler
SP30S-CM005-001	SynJet, PAR30, 5v - Silent 30W Cooler
HP30S-CALBL-001	PAR30 heatsink

Nuventix reserves the right to make changes to the products or information contained herein without notice. No liability is assumed as a result of their use or applications. For additional information, please contact Nuventix directly.