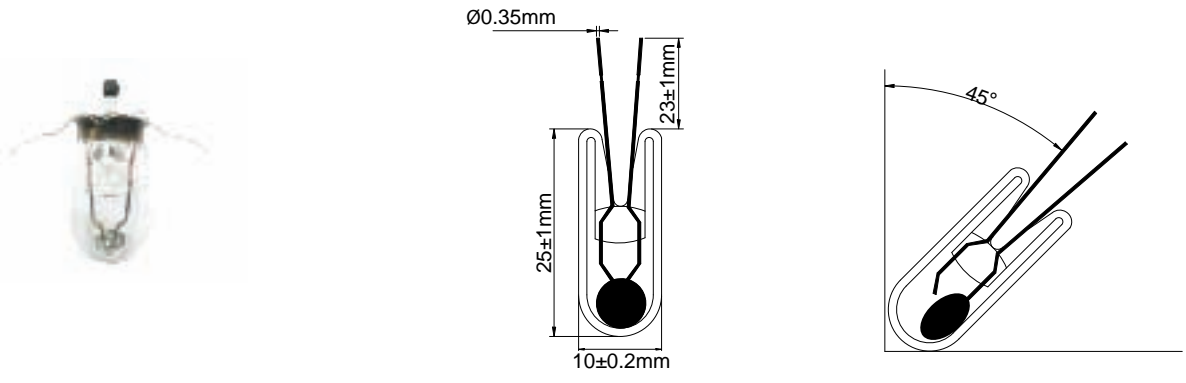
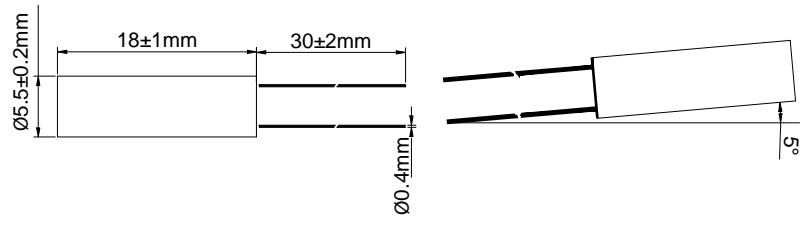


Tilt Switch Mercury Switch

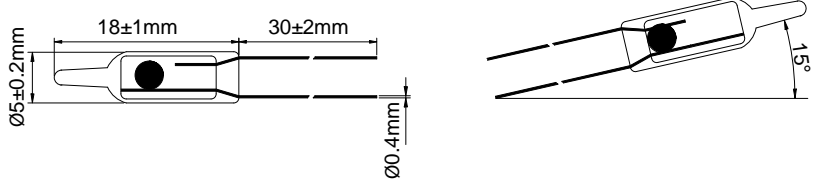
M1025



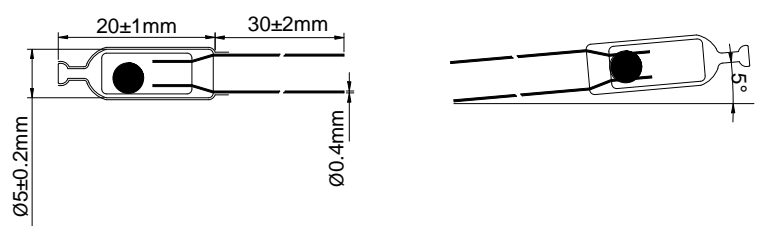
M5518



M518LS



516G



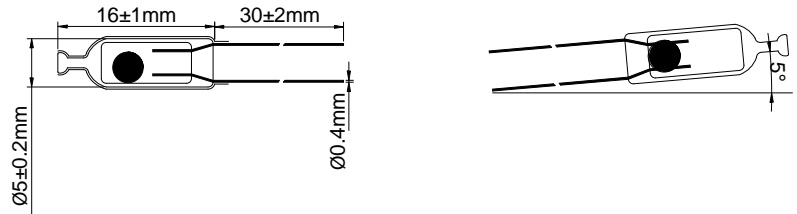
Tilt Switch Mercury Switch



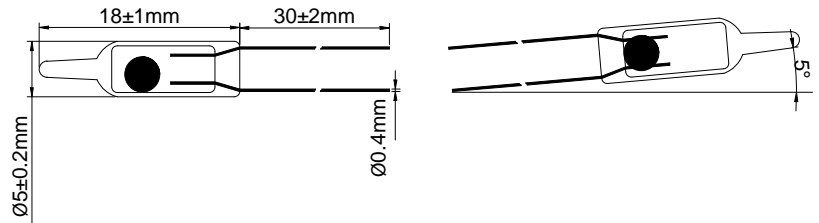
SPECIFICATION

- Electrical Rating : 200mA 12VDC
- Electrical Life: >100,000 Cycles
- Contact Resistance: 0.2 Ω
- Solder Temperature: 250°C 3 Seconds
- Ambient Temperature: 0°C~100°C
- Dimension: Φ 5X16mm, Φ 5x18mm
 Φ 5.5x18mm, Φ 6x19mm
 Φ 10x25mm

M516



M518



M619

