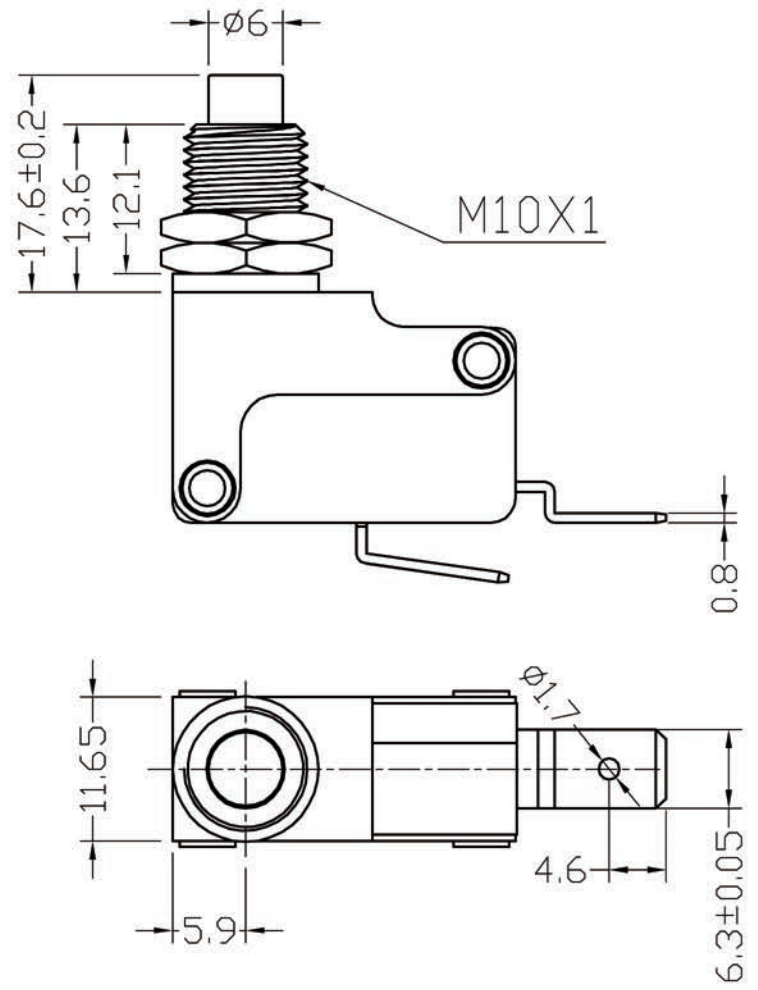


DIM.	0-10mm	10-30mm	30-50mm	50-100mm
TOL.	±0.05mm	±0.10mm	±0.15mm	±0.20mm

MARKS	MODIFICATION	QTY.	CHK. BY	DATE



技术要求：

1. 表面无毛刺、批峰、尖角、锐边等缺陷
2. 未标注公差按照公差表，未标注圆角为R0.2

MODEL NO:	微动开关支架	PART NO:	MS1-16-T0-B250		
PART. NAME	装配图			MATERIAL	---
		EDITION	A	SCALE	FIT
DWN. BY		UNIT	mm	PAGE 1 OF 1	
CHK. BY		施霸(中国)电器制品有限公司 SIBER (CHINA) ELECTRONIC MFG CO., LTD			
APP. BY					