

KV/KW Series – 1.25” (31.75 mm) and 1.5” (38.1 mm) Solenoids

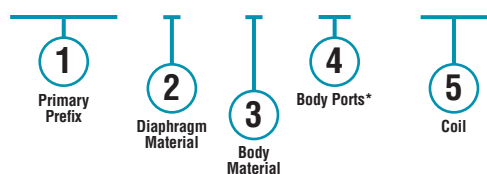
- ▶ 2-Way Normally Closed and 3-Way Directional Control
- ▶ MOPD: 15 PSI to 20 PSI
- ▶ C_v Range: 0.092 to 0.156
- ▶ PTFE Bodies and Diaphragms

Our largest orifice sizes for the highest flow rates, with a reduced component height. They feature all-PTFE wetted parts for extreme chemical compatibility.

How To Order

Use the **Bold** characters from the choices listed on the following page to construct a product code.

KV205 - T - 1 S1 - C203



* Combination of Body Port Configuration and Port Thread; Manifold Mount (BM) does **not** use the Thread Size designator

Example:

KV205-T-1 S1-C203-H

2-Way N.C. PTFE solenoid valve, with a PTFE body, 1/4”-28 UNF flat bottom threaded side ports and mounting holes, operating at 12 VDC.

Part Prefix Table ①

| | Orifice (inch) | MOPD* (psig) | C _v | Internal Volume (μl) | ① Primary Prefix |
|-----------------------------------|----------------|--------------|----------------|----------------------|------------------|
| 2-WAY N.C. | 0.092 | 20 | 0.055 | 108 | KV205 |
| | 0.156 | 15 | 0.11 | 239 | KW207 |
| 3-WAY Directional Controls | 0.156 | 15 (NC/O) | 0.14 | 462 | KW347 |

* Maximum Operational Pressure Differential

② Diaphragm Material

T = PTFE Polytetrafluoroethylene

③ Body Material

1 = PTFE Polytetrafluoroethylene

④ Body Port Configuration

S₋ = Threaded side port

Port Thread (Used in conjunction with Threaded Port Configurations)

1 = 1/4”-28 UNF flat bottom¹ (Standard for KV)

2 = 10-32¹

3 = 5/16”-24

4 = 1/8” NPT (Standard for KW)

5 = M6 X 1,0¹

⑤ Coil

C203 = 12 VDC

C204 = 24 VDC

C109 = 115 VAC

C116 = 220 VAC

* Standard selection; will be used unless otherwise specified. Standard selections are not referenced in final part number.

Note

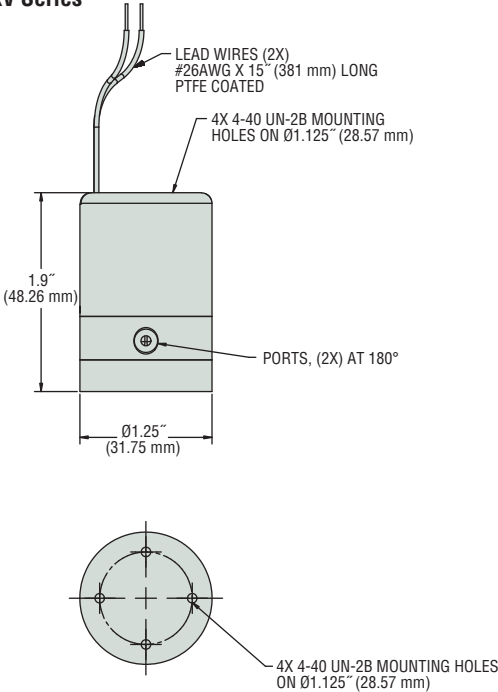
1. Not available with KW Series.



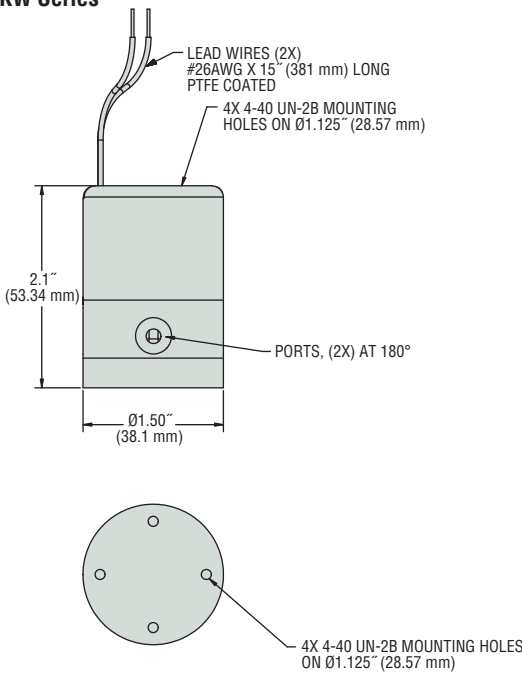
Dimensions – Side Port Body

2-Way, Normally Closed (N.C.)

KV Series

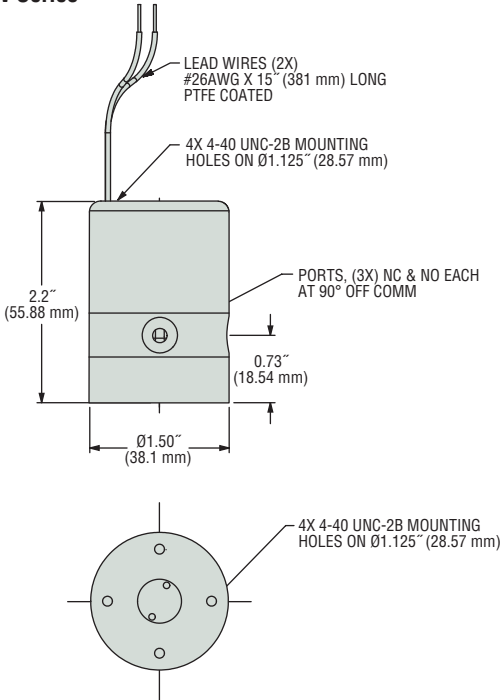


KW Series



3-Way, Normally Closed (N.C.), Multi-Purpose, Directional Control

KW Series



Gems specializes in the design and manufacturing of custom solenoid valves and fluidic systems. If you don't see what you're looking for, or have a question, contact us at 800-378-1600 or info@gemssensors.com.