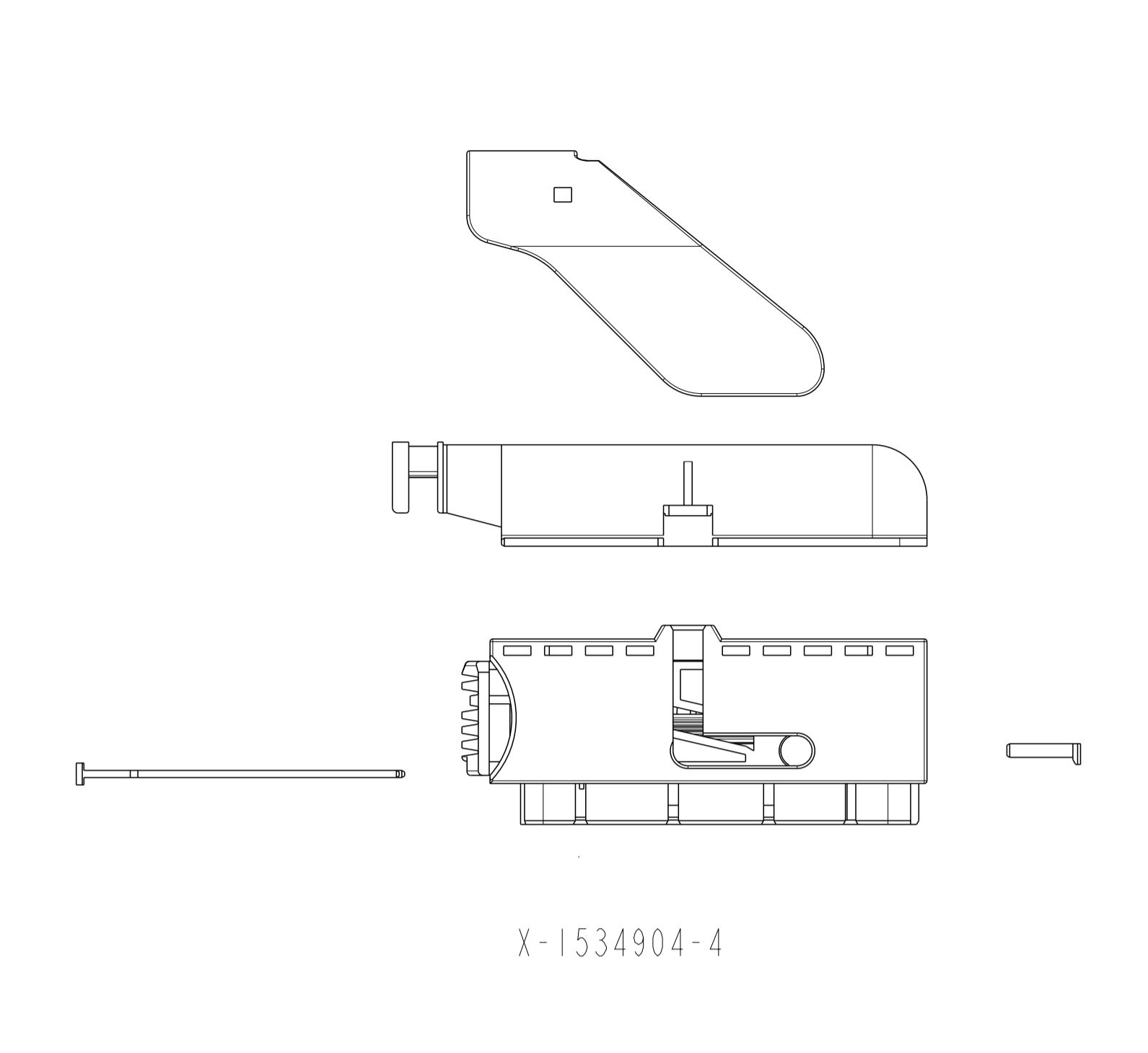
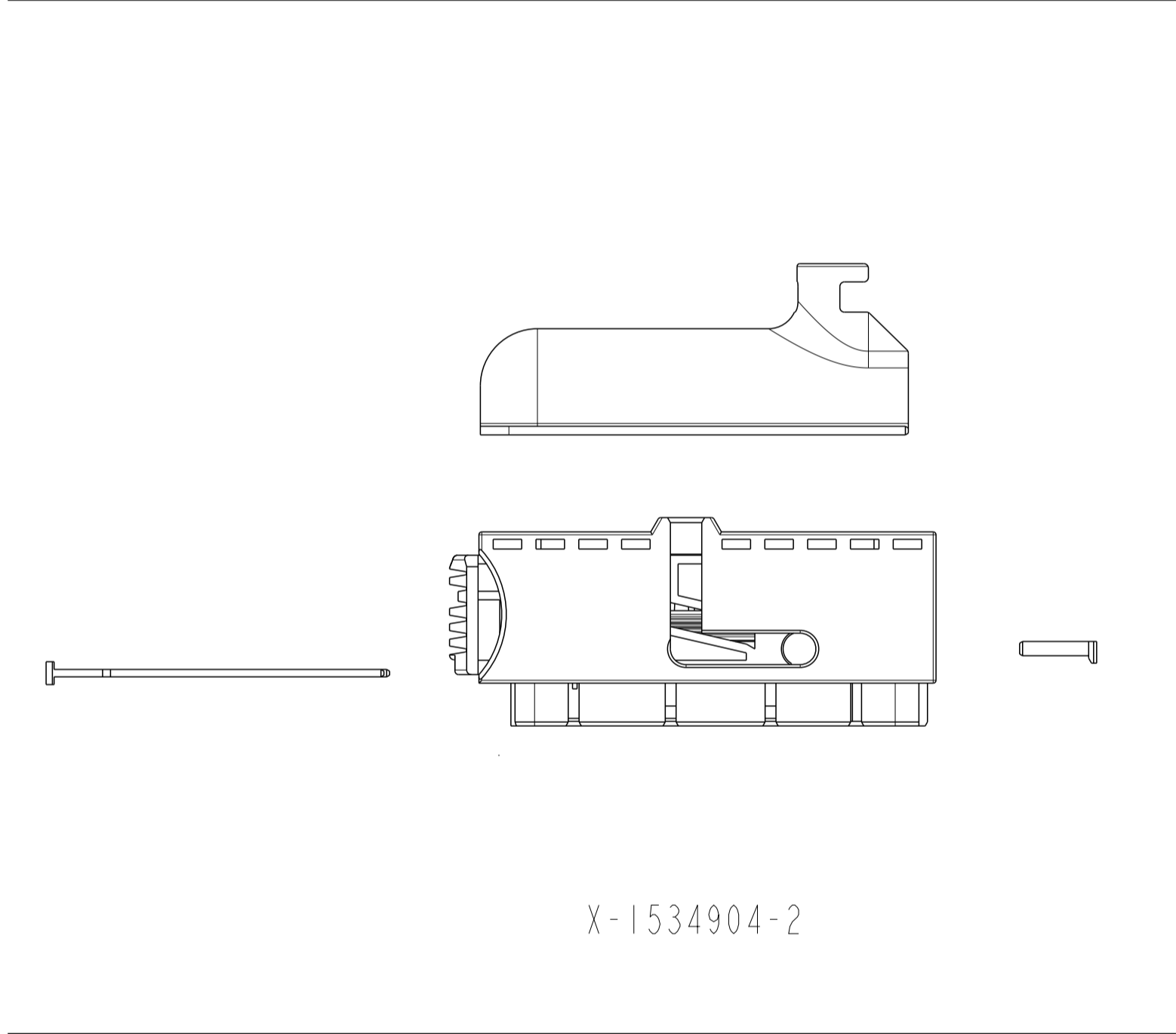


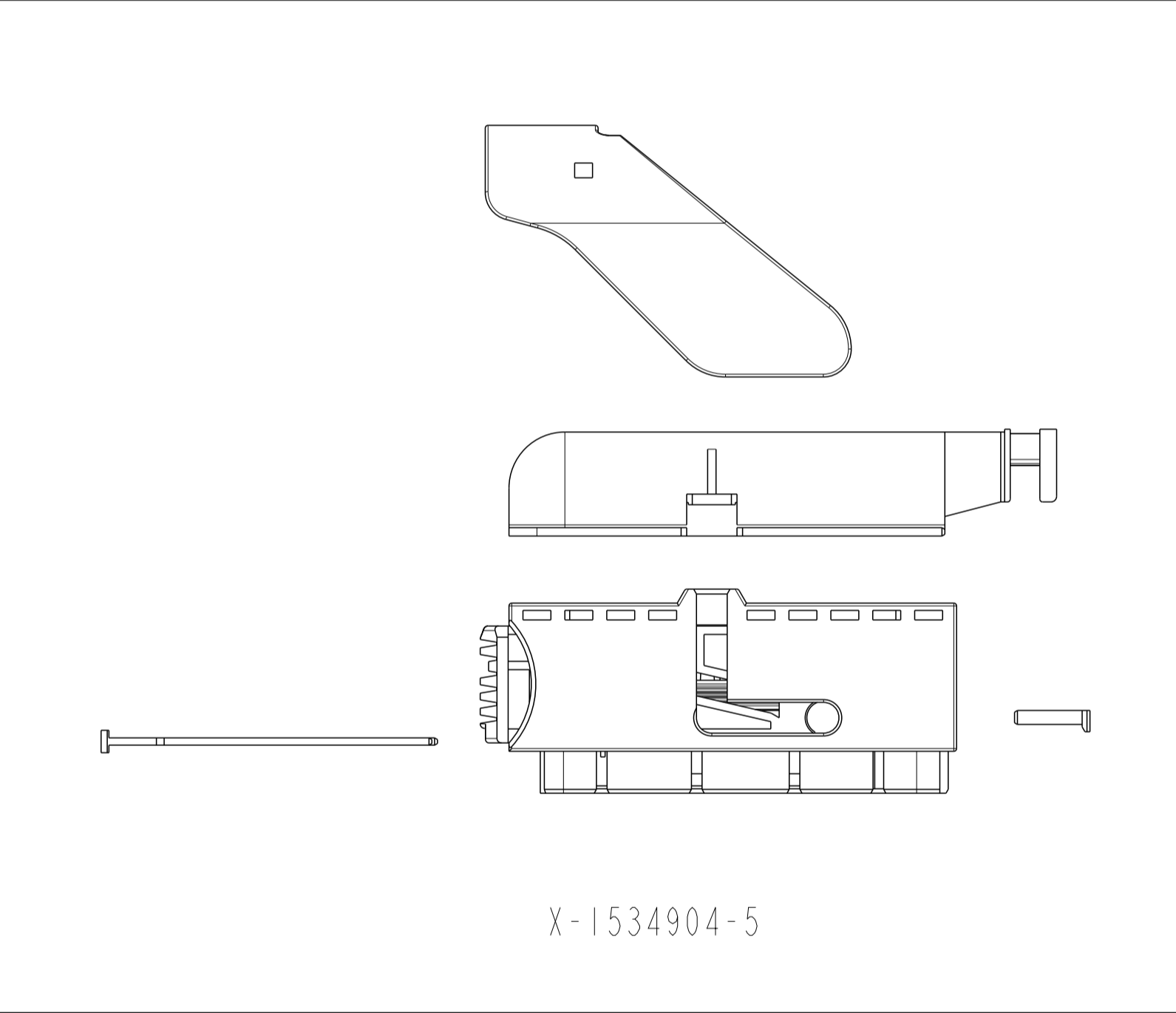
X-1534904-1



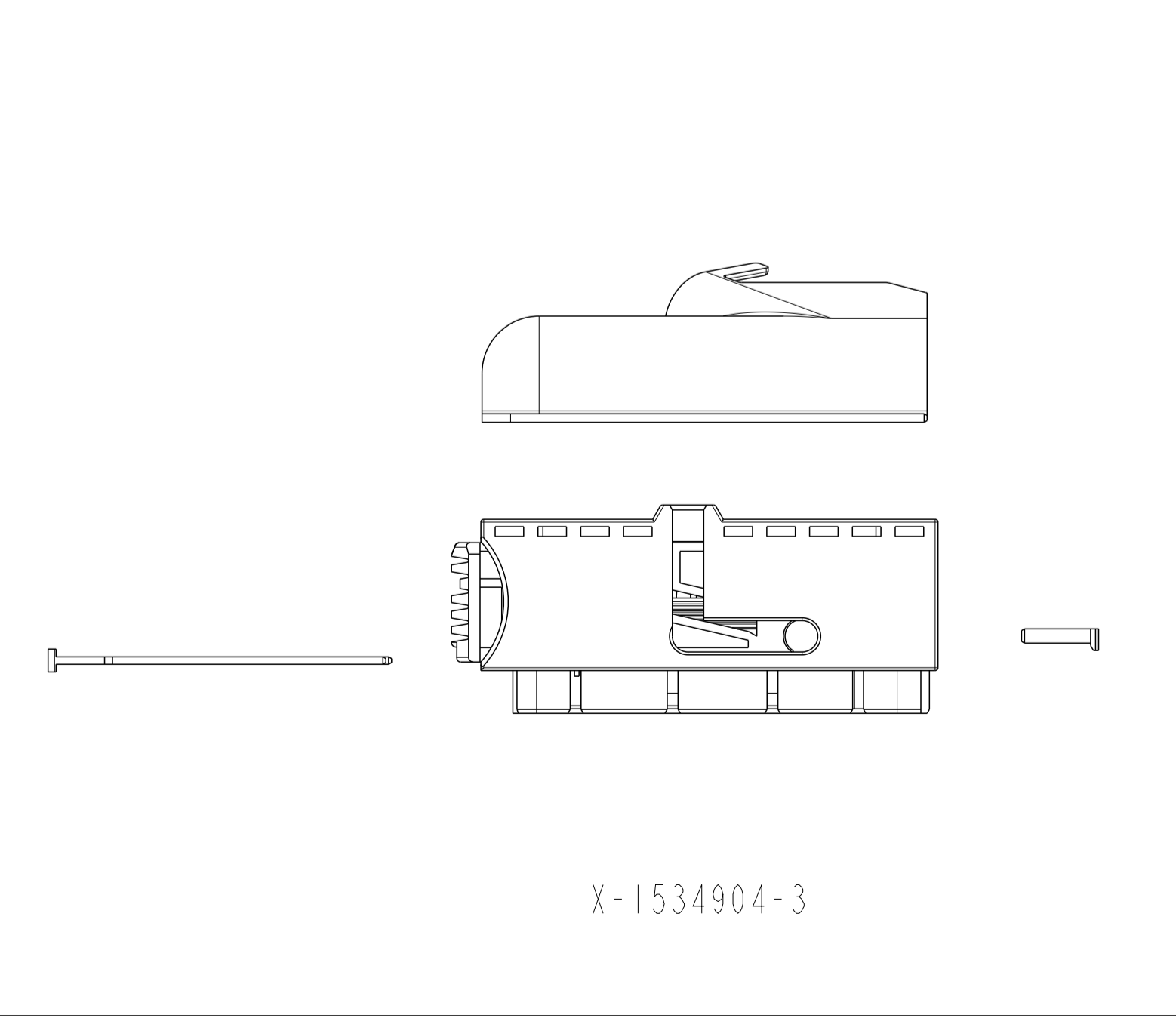
X-1534904-4



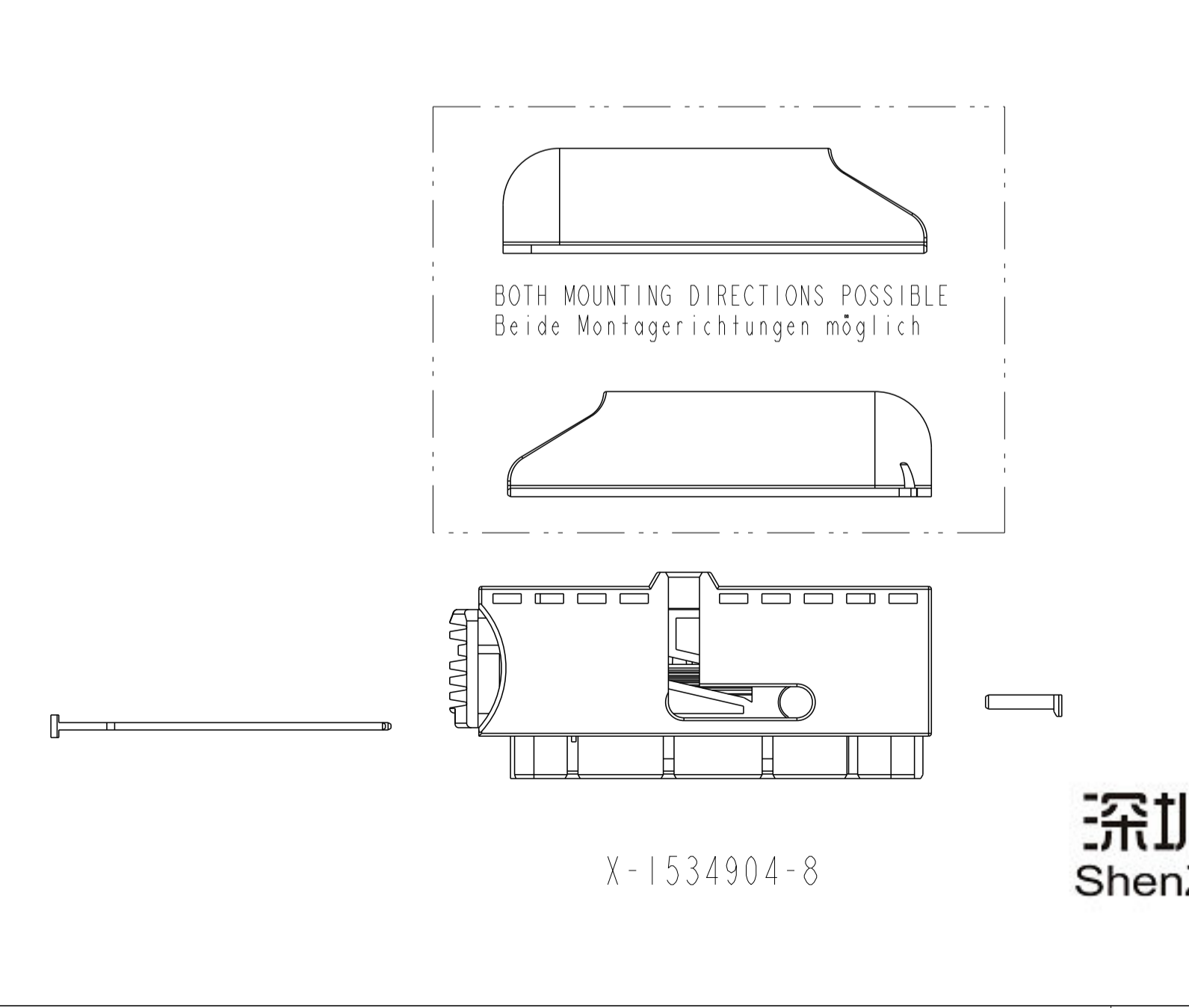
X-1534904-2



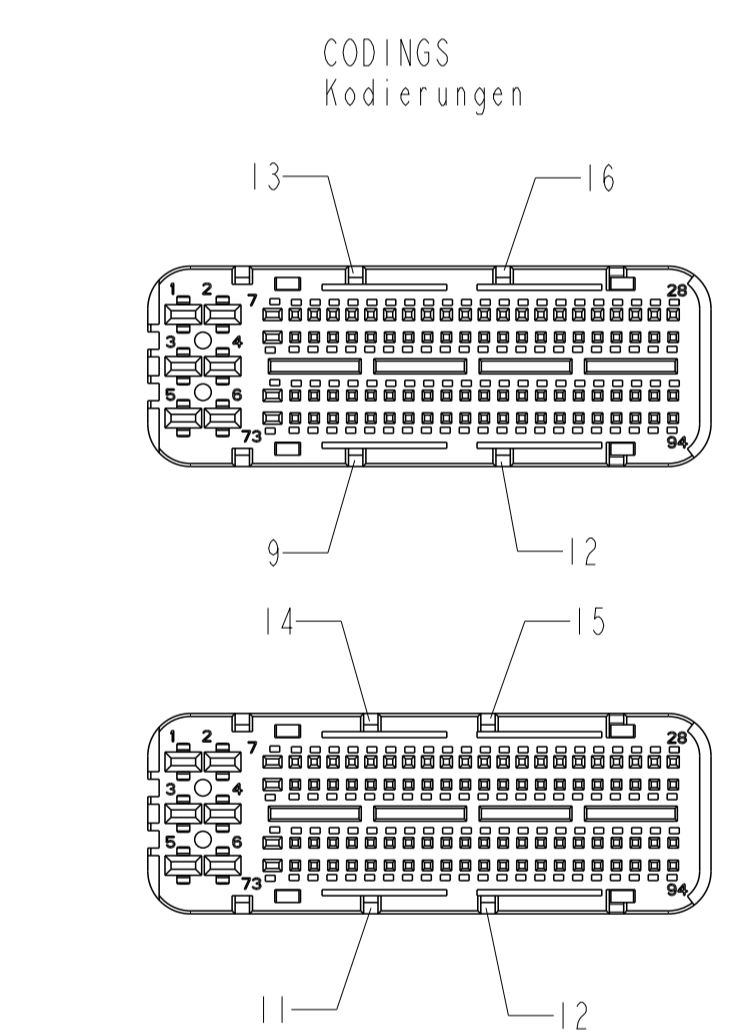
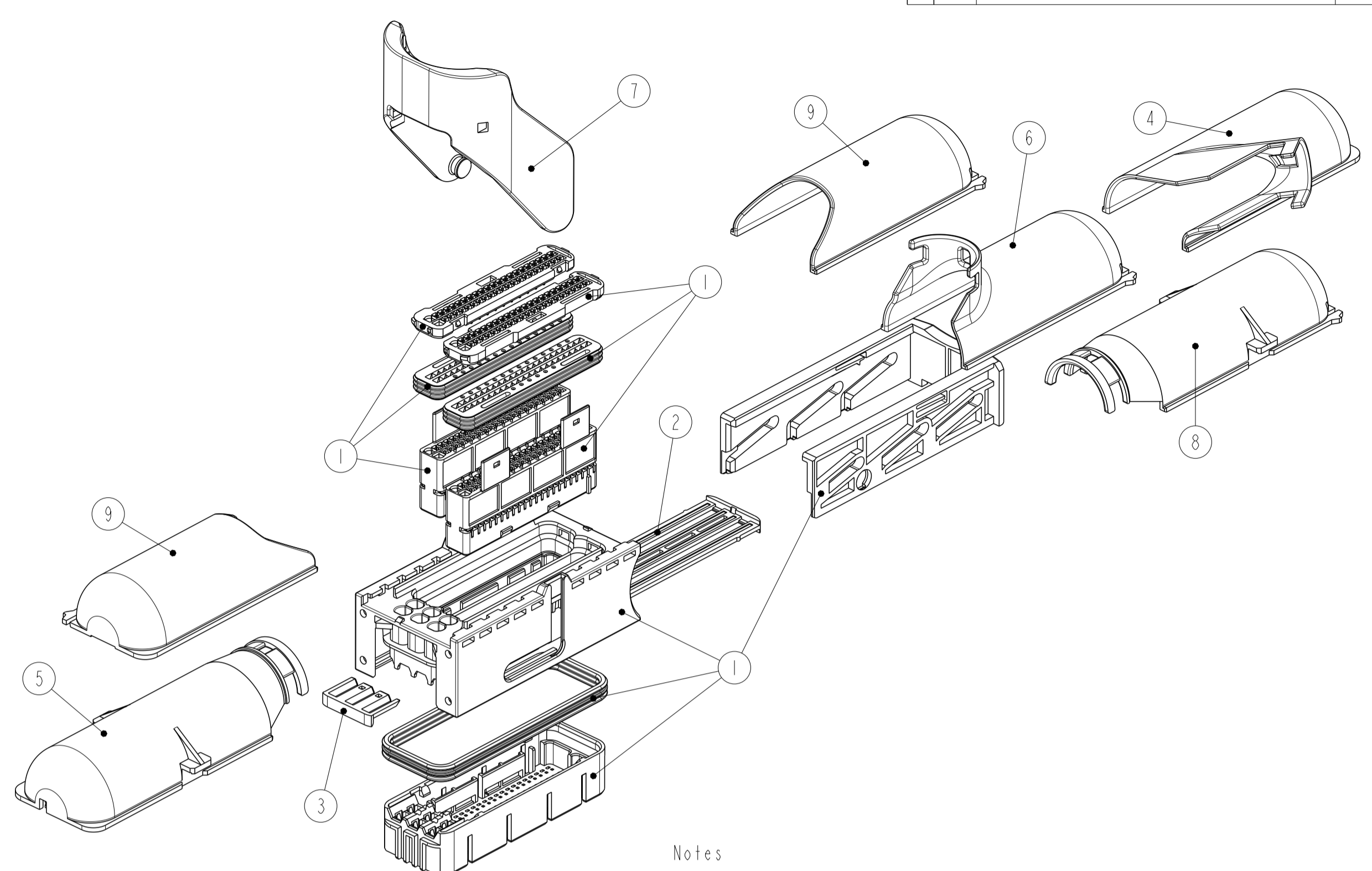
X-1534904-5



X-1534904-3



X-1534904-8



Notes

- 1 MATING PART EXECUTION ACC. TO 114-18304-002
- 2 SUITABLE CONTACTS: MOS :968220, 968221, 1534116  
1,5mm CB :1241608  
MCP2,8 :1241394, 1241396  
SEALING PLUGS 1394871 (0.63), 1394872 (1.5)
- 3 FORM CONDITIONED DELAY OF 0,8 ADMISSIBLE
- 4 PARTS MUST BE ORDERED SEPARATELY ACC. TO THE TABLE BELOW

Bemerkungen

- 1 Schnittstellenausführung nach 114-18304-002
- 2 Passende Kontakte: MOS :968220, 968221, 1534116  
1,5mm CB :1241608  
MCP2,8 :1241394, 1241396  
Dichtstifte 1394871 (0.63), 1394872 (1.5)
- 3 Formbedingter Verzug von 0,8 zulässig
- 4 Teile müssen entsprechend der unteren Tabelle einzeln bestellt werden

QTY.	QTY.	QTY.	QTY.	QTY.	QTY.	QTY.	QTY.	ORDER-NO. Bestell-Nr.	REV.	DESCRIPTION Benennung	ITEM POS.
								1-1355133-1	B	LEVER / Hebel	7
								1-1670425-1	A	SHIELD, UNIVERSAL / Kappe, universal	9
								2-1355132-1	A	SHIELD, 90° REV. / Kappe, 90° gedreht	8
								0-1394909-2	B	SHIELD, 180° / Kappe, 180°	6
								1-1355132-2	A	SHIELD, 90° / Kappe, 90°	5
								0-1394911-2	A	SHIELD, 45° / Kappe, 45°	4
								1-1355135-1	A	RETAINER, 6 POSN. / Halter, 6pol.	3
								1-1355134-1	C	RETAINER, 88POSN. / Halter, 88pol.	2
								3-1355136-9	D	CARRIER HSG. / Aufnahmegeh.	1
								3-1355136-3	D	CARRIER HSG. / Aufnahmegeh.	1
9-10-11-12 13-14-15-16	10-11-14-15	10-11-14-15	10-11-14-15	10-11-14-15	10-11-14-15	10-11-14-15	10-11-14-15	CODING Kodierung			
9-1534904-4	3-1534904-8	3-1534904-5	3-1534904-4	3-1534904-3	3-1534904-2	3-1534904-1	3-1534904-1	TE-REF.-NO. TE-Ref.-Nr.			
D	D	D	D	D	D	D	D	REV			

深圳市众多星电子有限公司  
ShenZhen Many Star Electronics Co.Ltd.

THIS DRAWING IS A CONTROLLED DOCUMENT. DIESES ZEICHNUNGSDOKUMENT WIRD DURCH UNS KONTROLLIERT. AGENSOMEN, DIE SICH TECHNISCHEN FORTSCHRITTS, SIND VERBODEN. KEIN ANSATZ, KEIN VERLEHREN, KEIN VERKAUF, KEIN VERLEHREN.

MASS/EINHEITEN: mm / TOLEANCES: UNLESS OTHERWISE SPECIFIED: ALL DIMENSIONS IN MILLIMETERS

PLC ±0.05 ACC. TO DIN 16901-140  
CENTRIC TO NOMINAL DIM ±0.05  
FINISH/OBERFLÄCHE/FARBE: 22°

MATERIAL: -

DWN: R. Sellien 140K12002  
CHK: B. Leonhardi 140K12002

NAME: -

PRODUCT SPEC: 108-13829  
APPLICATION SPEC: 114-18521

WEIGHT: -  
GEWICHT: -

Customer Drawing

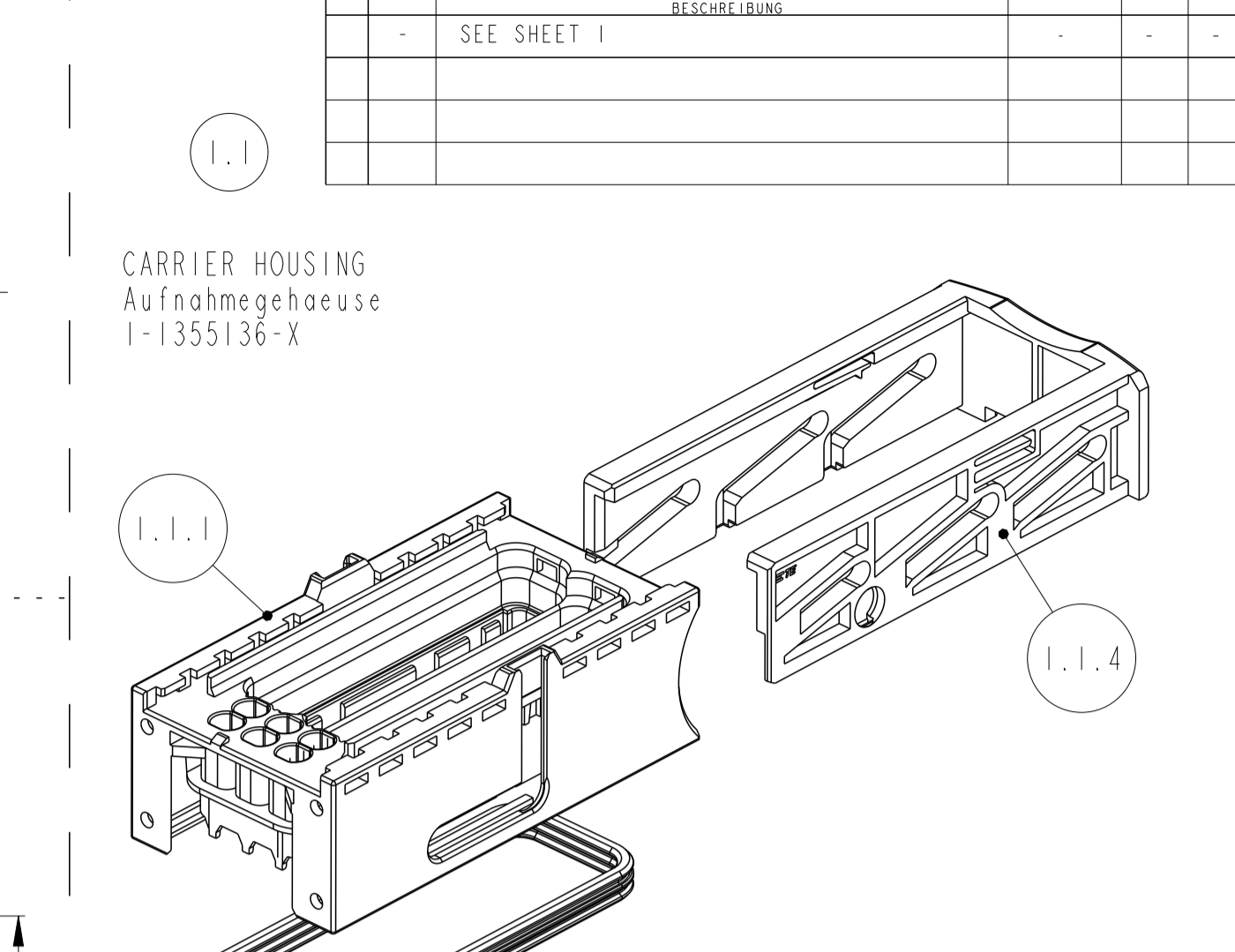
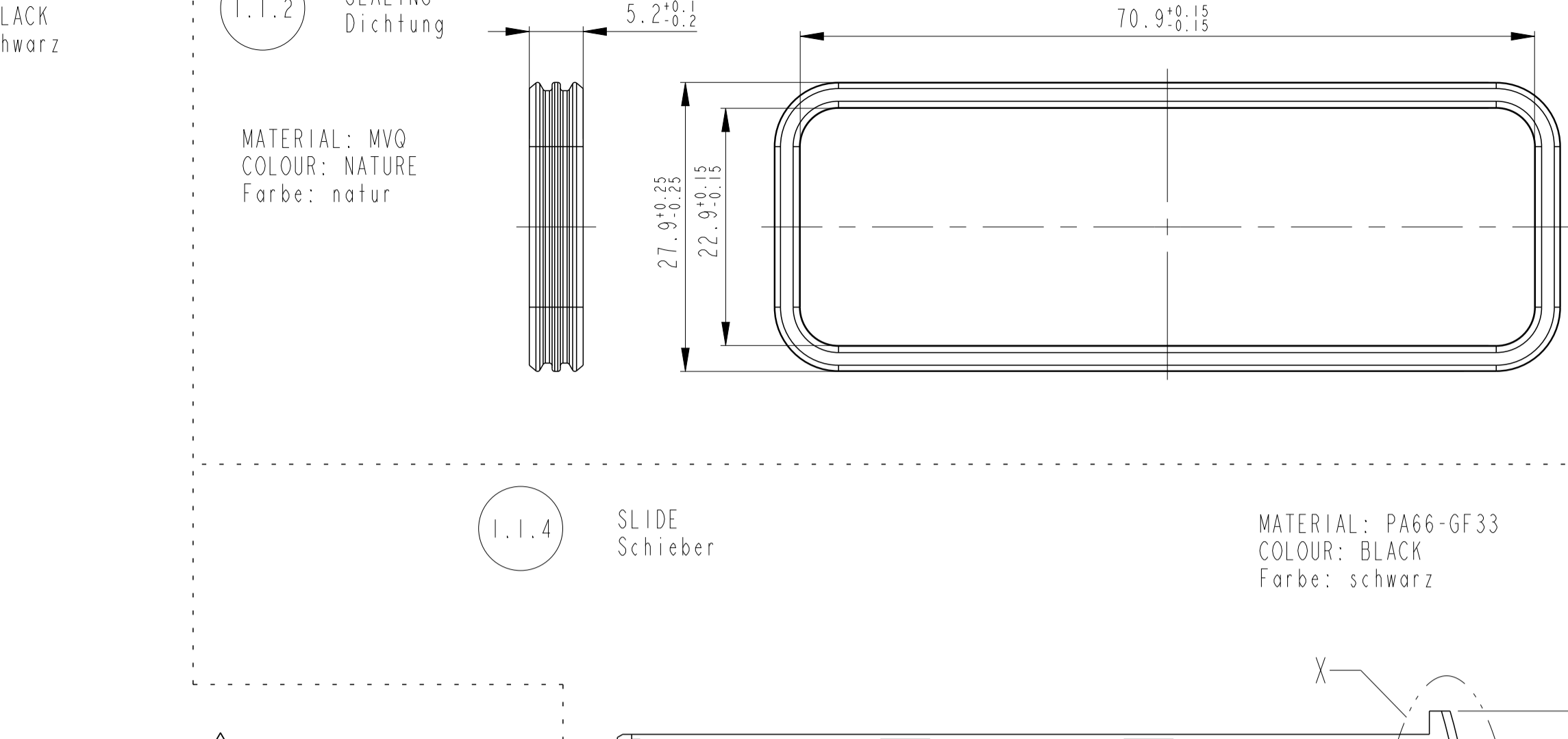
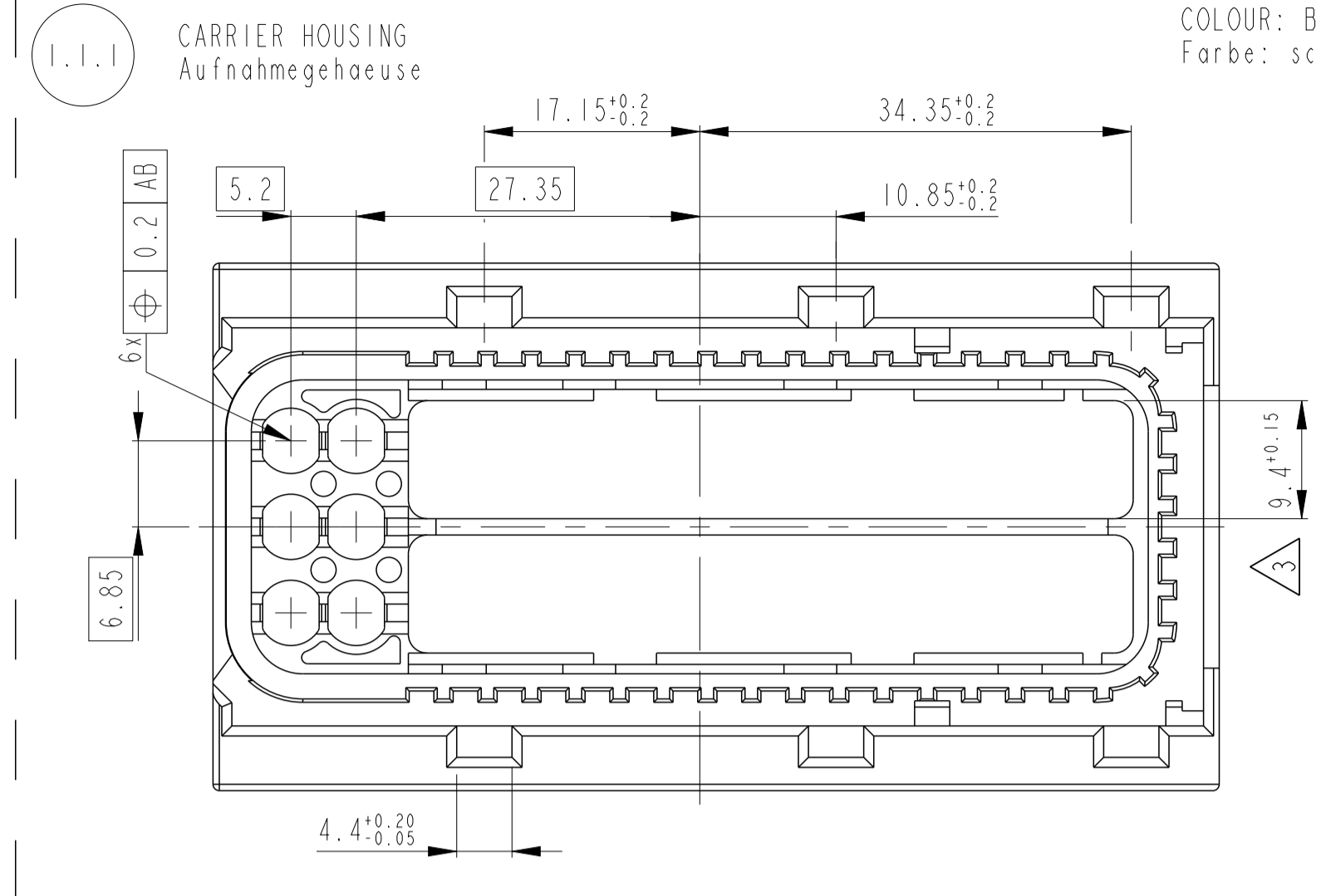
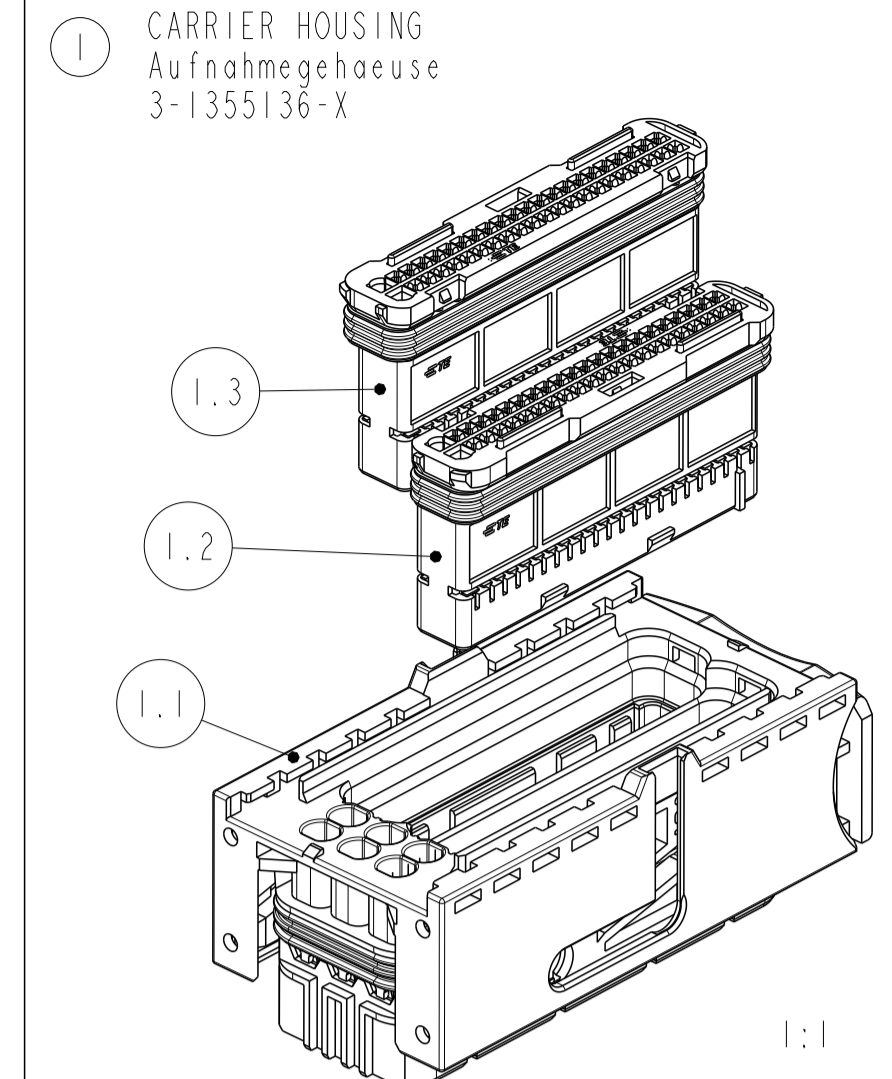
TE Connectivity

CONNECTOR HOUSING., 94POSN.  
Steckverbindergehäuse., 94pol.,  
MOS + 1.5mm Clean Body + MCP2.8

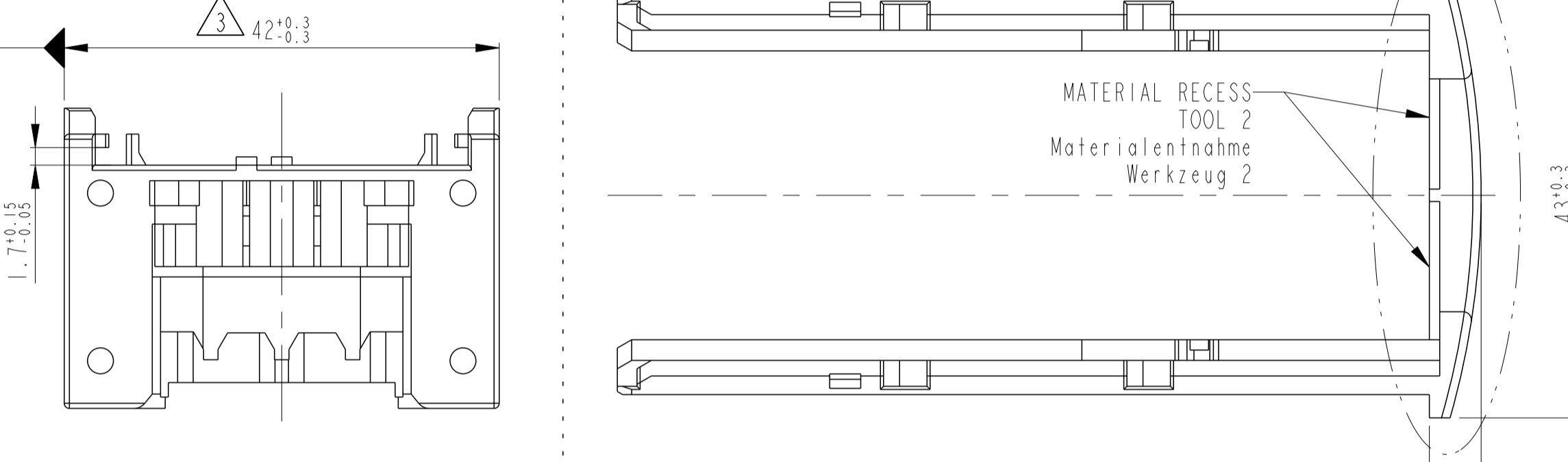
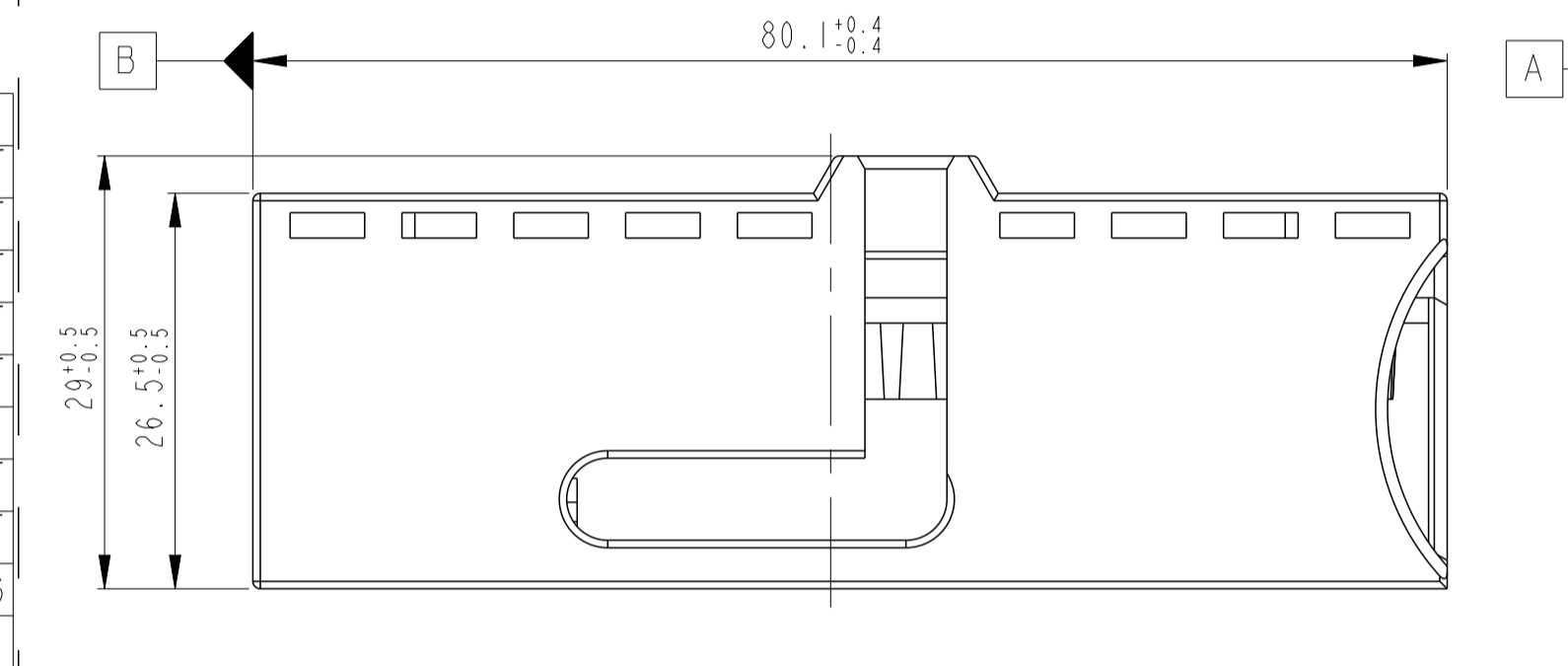
SIZE: A1  
CAGE CODE: -  
DRAWING NO.: 1534904

RESTRICTED TO: -  
NUR FÜR: -

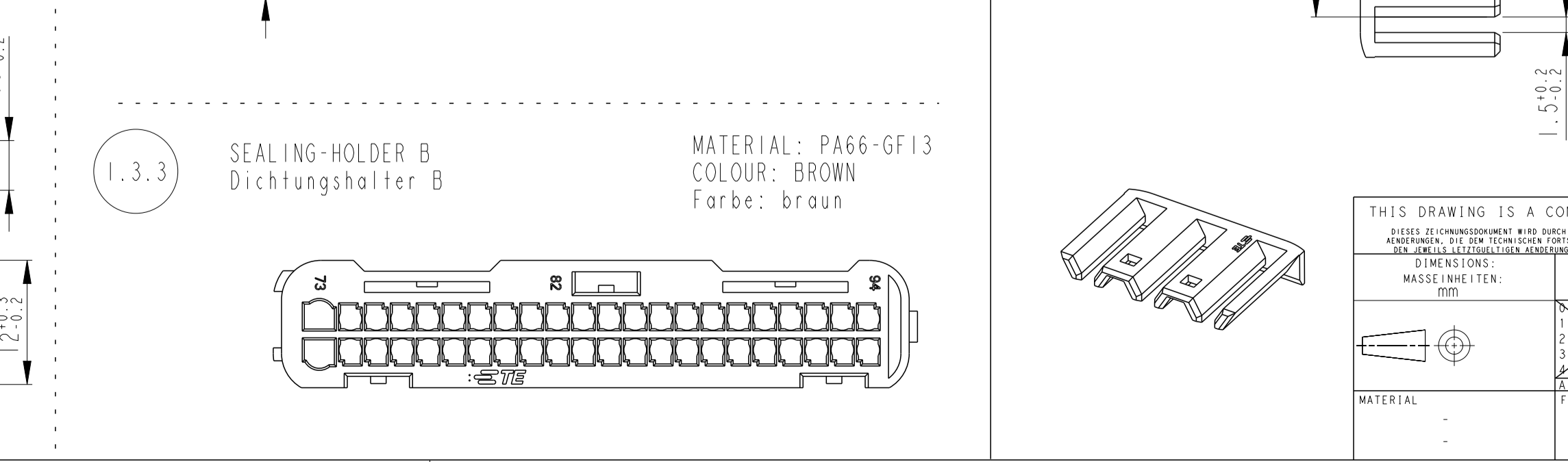
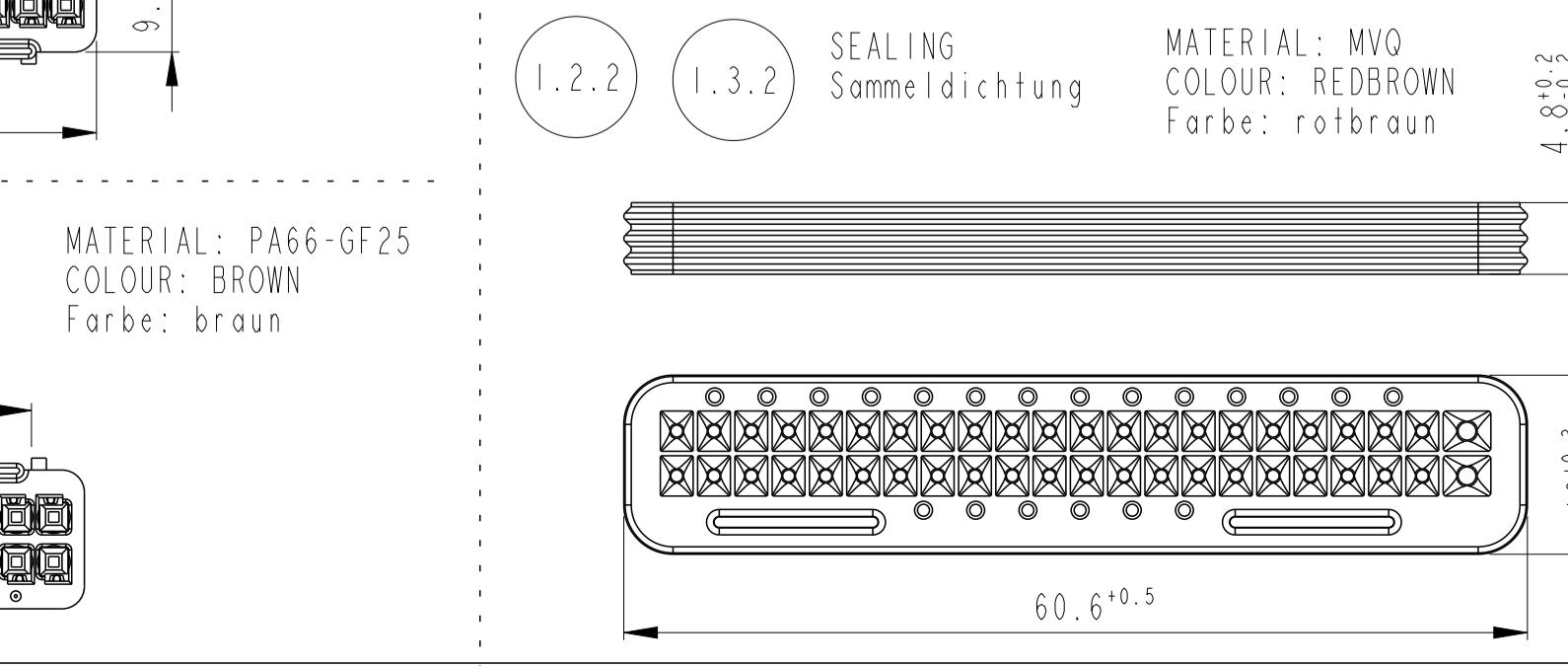
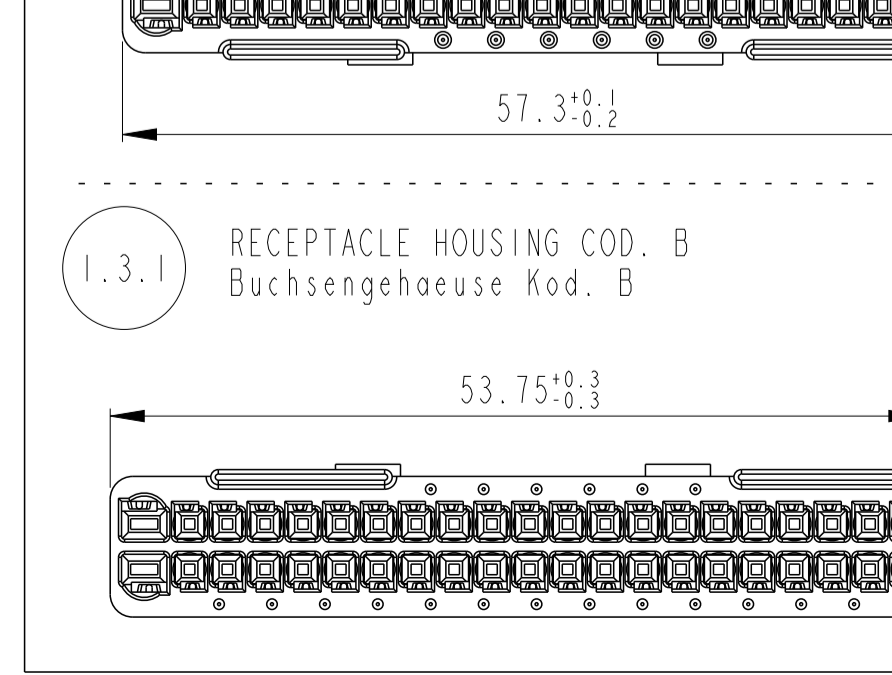
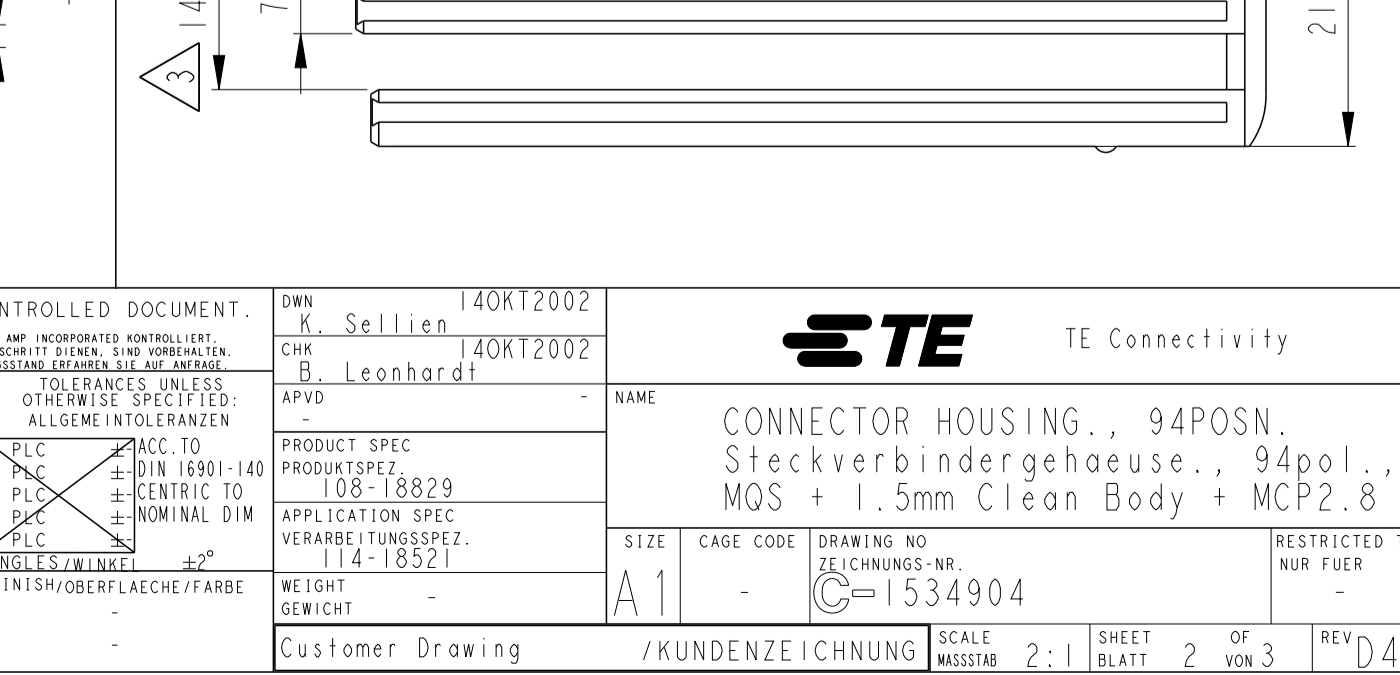
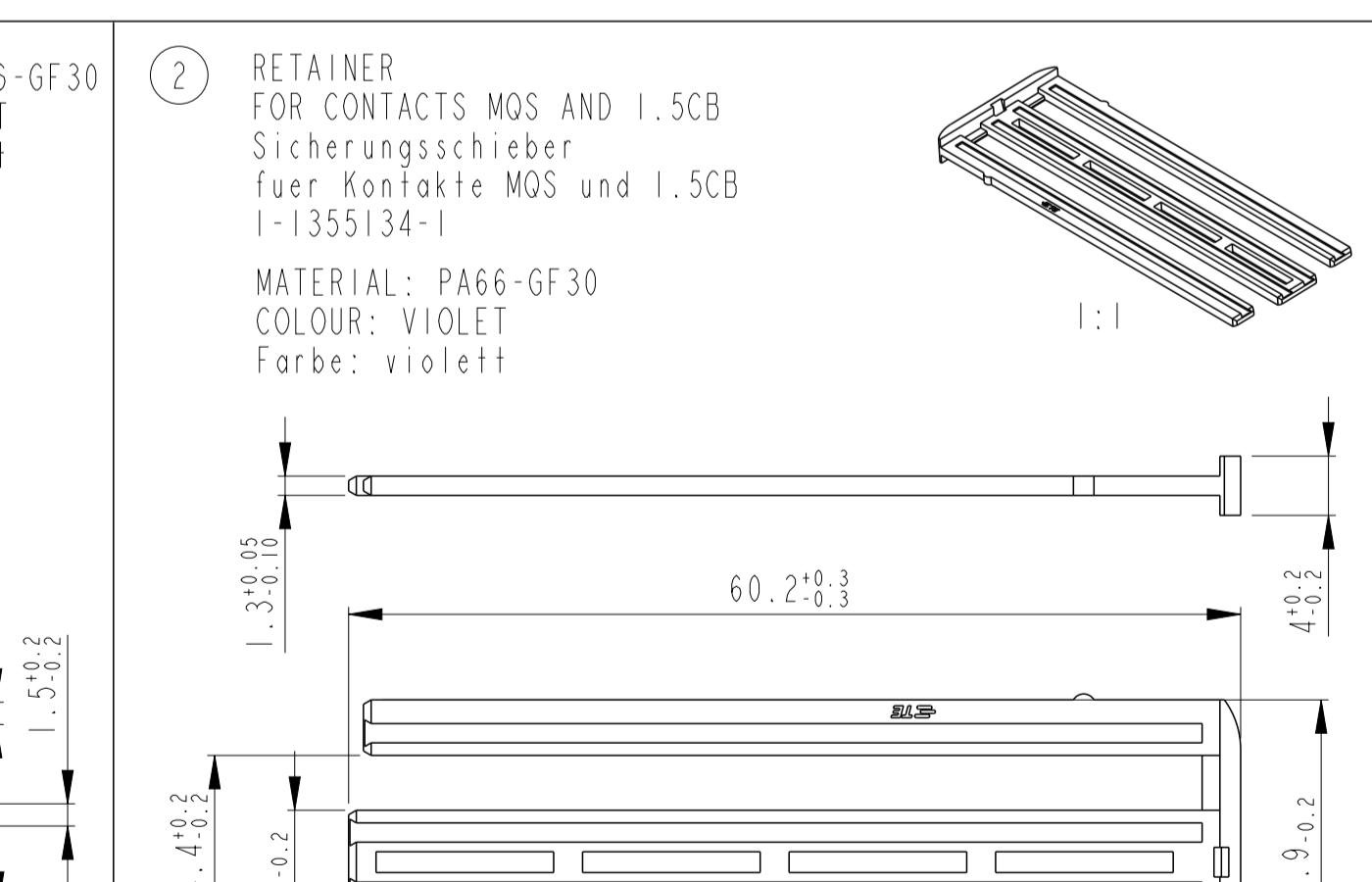
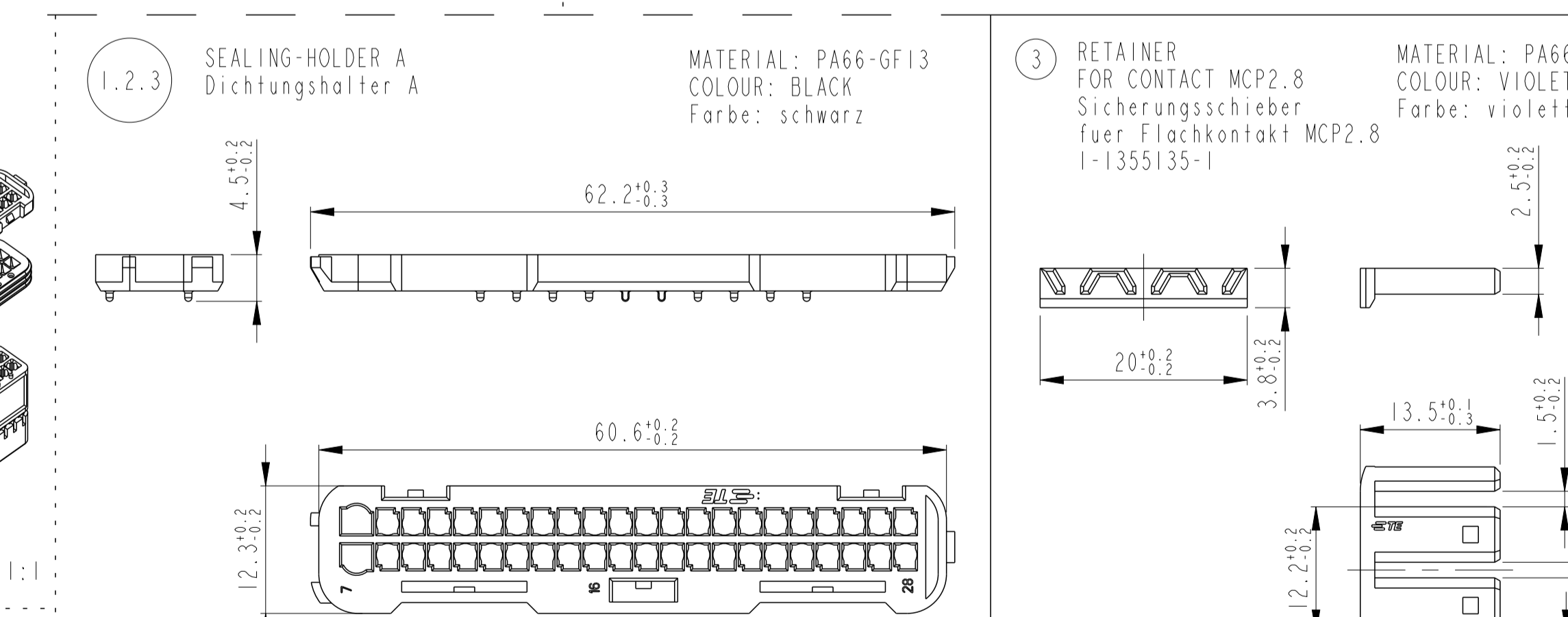
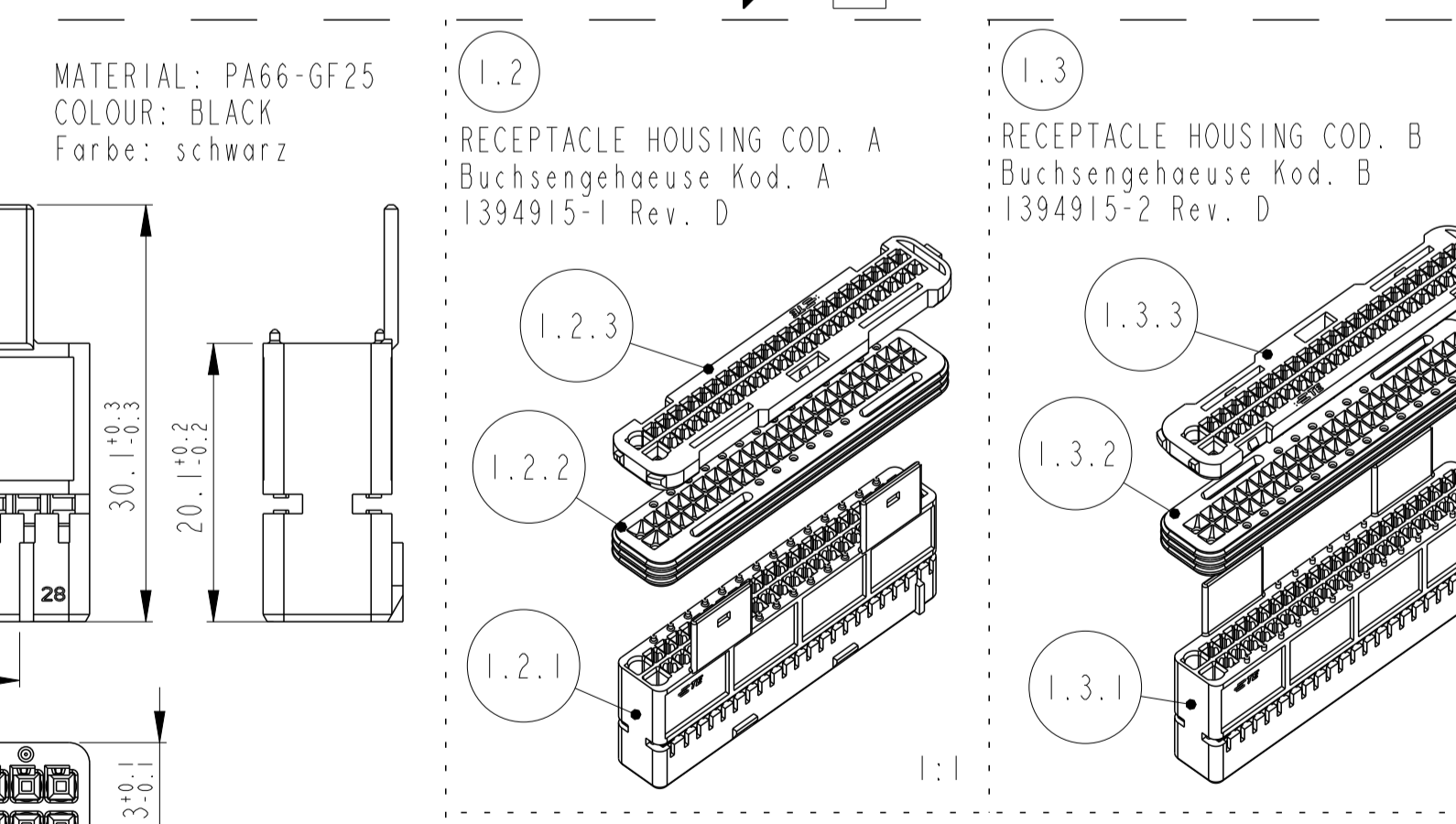
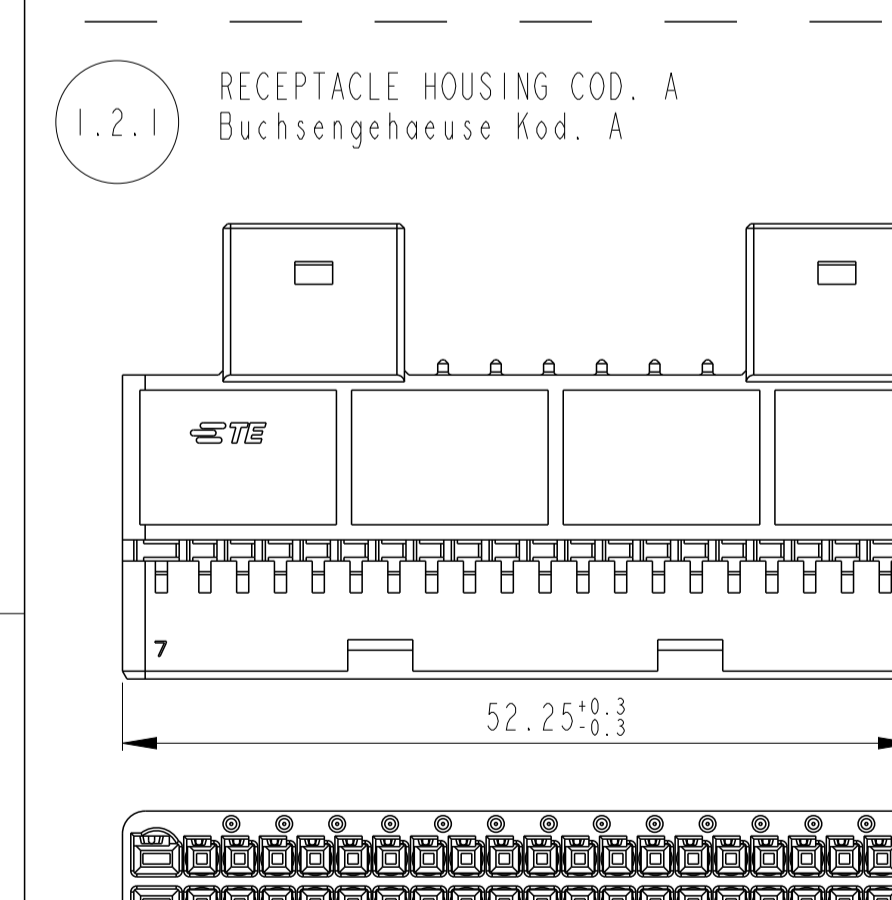
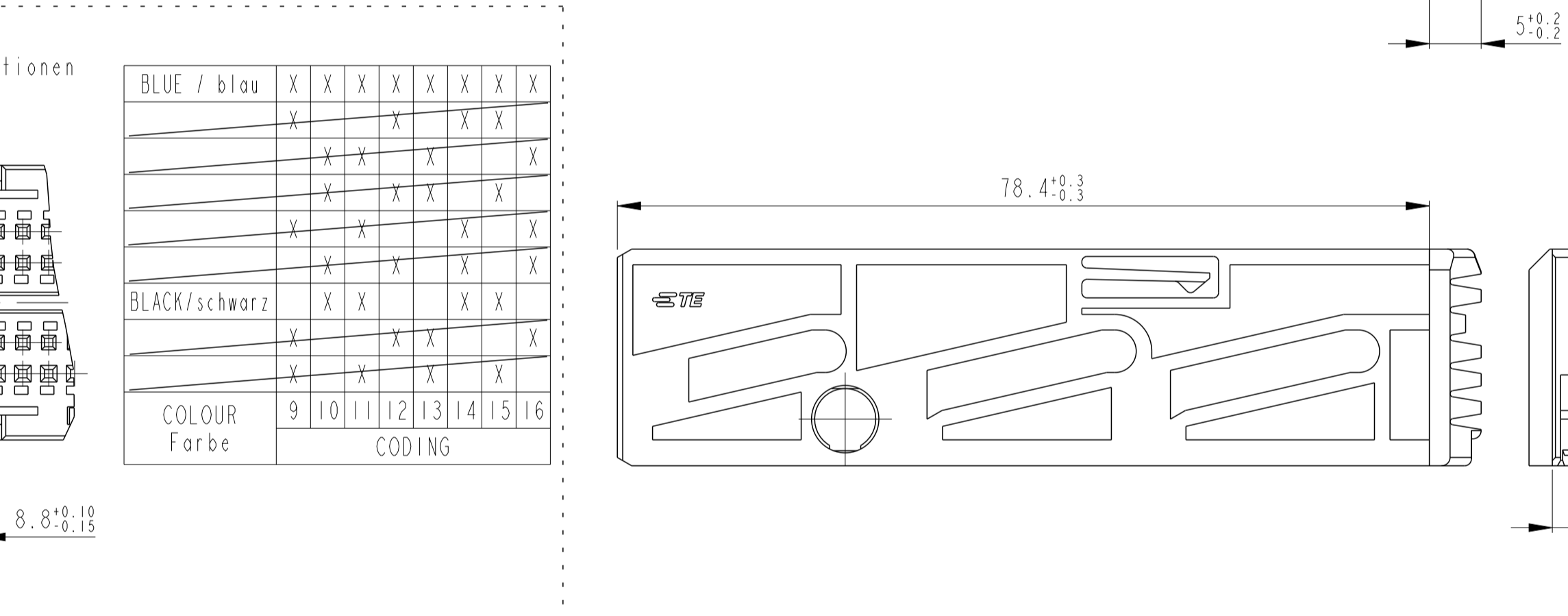
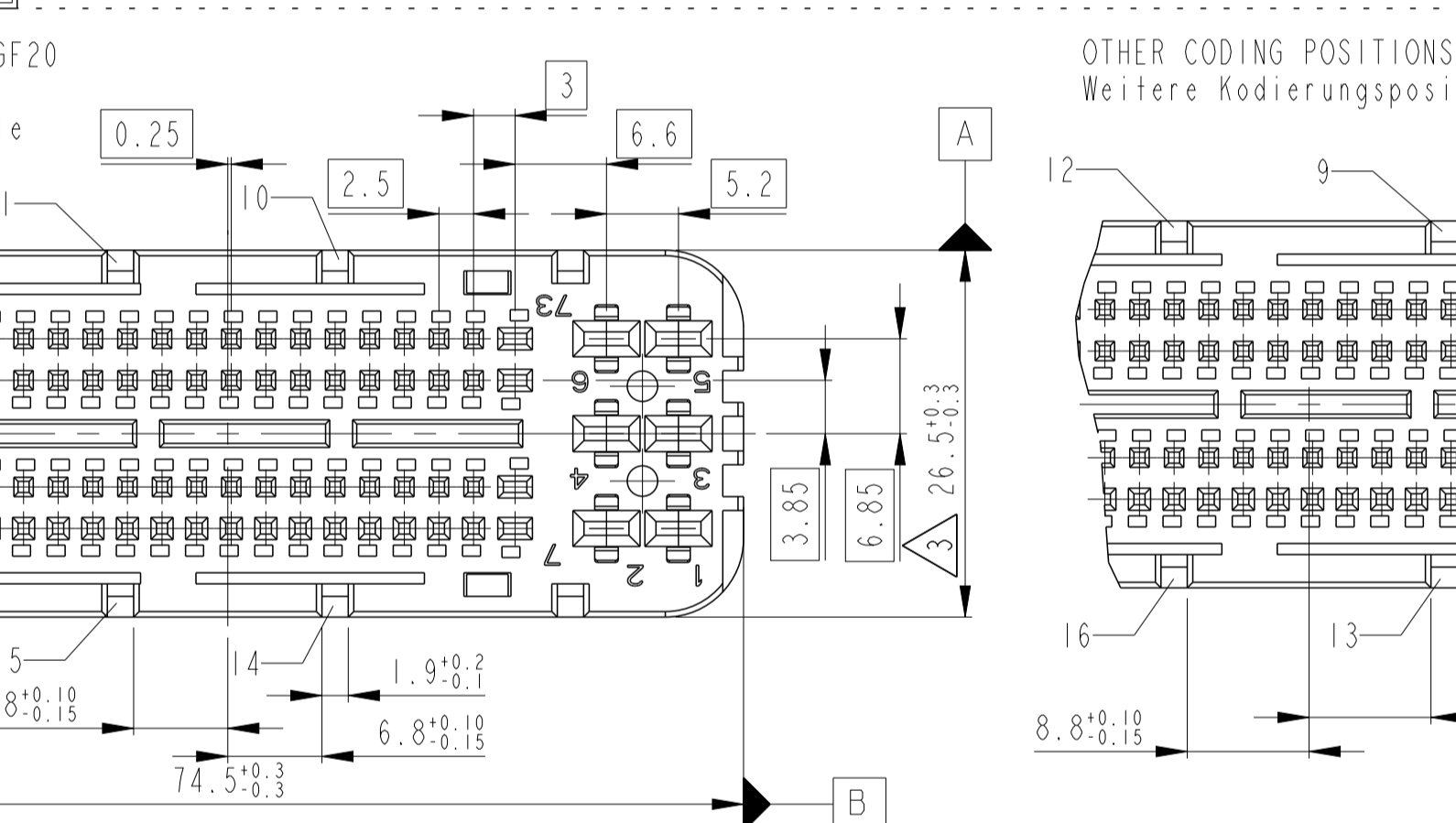
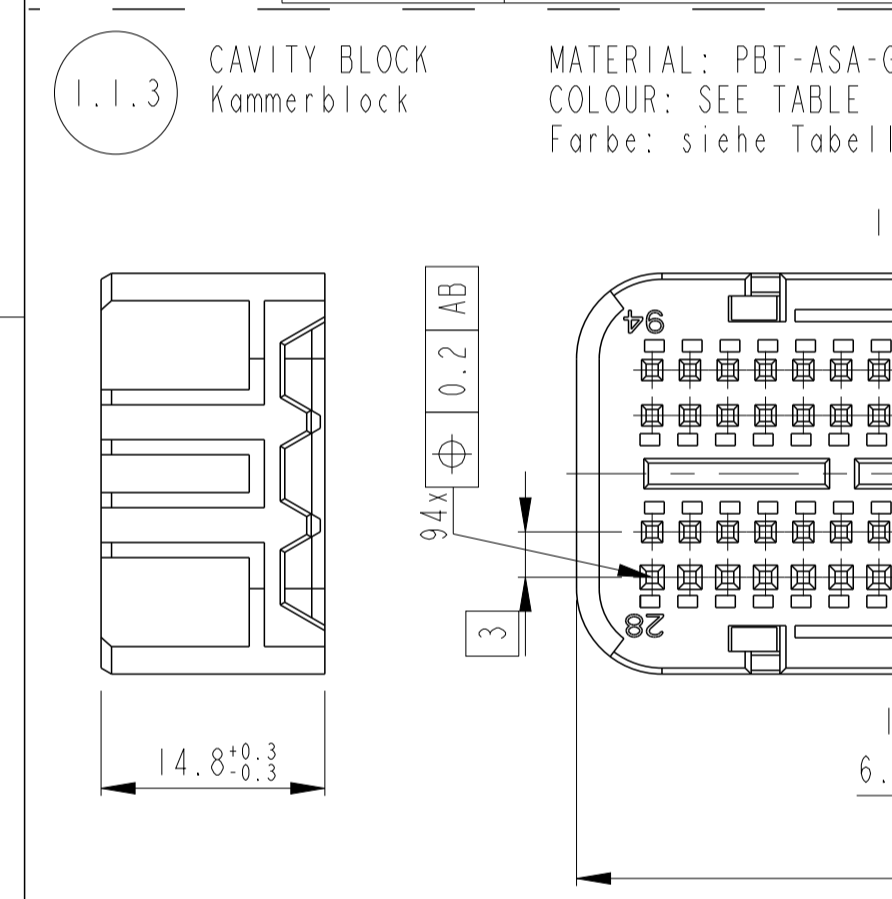
SCALE: 1:1  
SHEET: 1 OF 3  
REV: D4



3-1355136-9	X	X	X	X	X	X	X	X	X	X	X	X	X	X	X	
3-1355136-8	X	X	X	X	X	X	X	X	X	X	X	X	X	X	X	
3-1355136-7	X	X	X	X	X	X	X	X	X	X	X	X	X	X	X	
3-1355136-6	X	X	X	X	X	X	X	X	X	X	X	X	X	X	X	
3-1355136-5	X	X	X	X	X	X	X	X	X	X	X	X	X	X	X	
3-1355136-4	X	X	X	X	X	X	X	X	X	X	X	X	X	X	X	
3-1355136-3	X	X	X	X	X	X	X	X	X	X	X	X	X	X	X	
3-1355136-2	X	X	X	X	X	X	X	X	X	X	X	X	X	X	X	
3-1355136-1	X	X	X	X	X	X	X	X	X	X	X	X	X	X	X	
PART NO.	9	10	11	12	13	14	15	16								
CODING																



1-1355136-9	C	X	X	X	X	X	X	X	X	X	X	X	X	X	X	
1-1355136-8	C	X	X	X	X	X	X	X	X	X	X	X	X	X	X	
1-1355136-7	C	X	X	X	X	X	X	X	X	X	X	X	X	X	X	
1-1355136-6	C	X	X	X	X	X	X	X	X	X	X	X	X	X	X	
1-1355136-5	C	X	X	X	X	X	X	X	X	X	X	X	X	X	X	
1-1355136-4	C	X	X	X	X	X	X	X	X	X	X	X	X	X	X	
1-1355136-3	C	X	X	X	X	X	X	X	X	X	X	X	X	X	X	
1-1355136-2	C	X	X	X	X	X	X	X	X	X	X	X	X	X	X	
1-1355136-1	C	X	X	X	X	X	X	X	X	X	X	X	X	X	X	
PART NO.	REV.	9	10	11	12	13	14	15	16							
CODING																



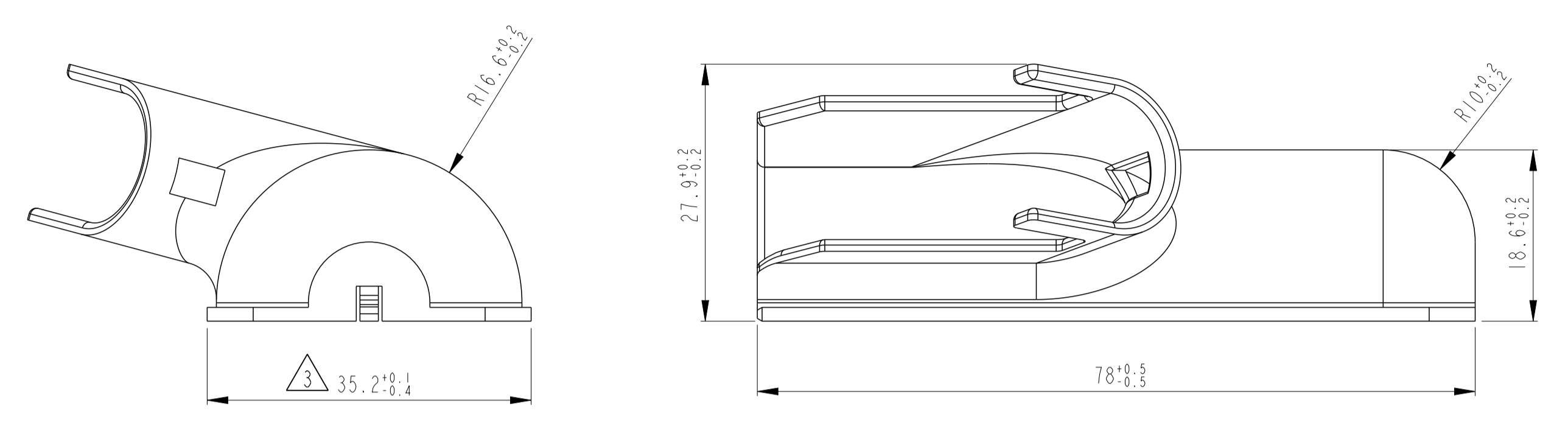
THIS DRAWING IS A CONTROLLED DOCUMENT. PLEASE DO NOT REPRODUCE OR DISSEMINATE WITHOUT THE AUTHORITY OF THE DRAWING OFFICE. DIMENSIONS: UNLESS OTHERWISE SPECIFIED: MILLIMETERS. FINISHES: UNLESS OTHERWISE SPECIFIED: AS SUPPLIED. MATERIAL: UNLESS OTHERWISE SPECIFIED: AS SUPPLIED.

OWN	SELLING	140K12002	NAME	TE Connectivity
CHK	B. Leonhardi	140K12002	PRODUCT SPEC	CONNECTOR HOUSING, 94POS.
APVD			PRODUCT SPEC	Steckverbindergehäuse, 94pol.,
			APPLICATION SPEC	MOS + 1.5mm Clean Body + MCP2.8
			VERARBEITUNGSSPEZ.	
			WEIGHT	Customer Drawing
			GEWICHT	
			SCALE	2:1
			SHEET	2 OF 3
			REV.	D4



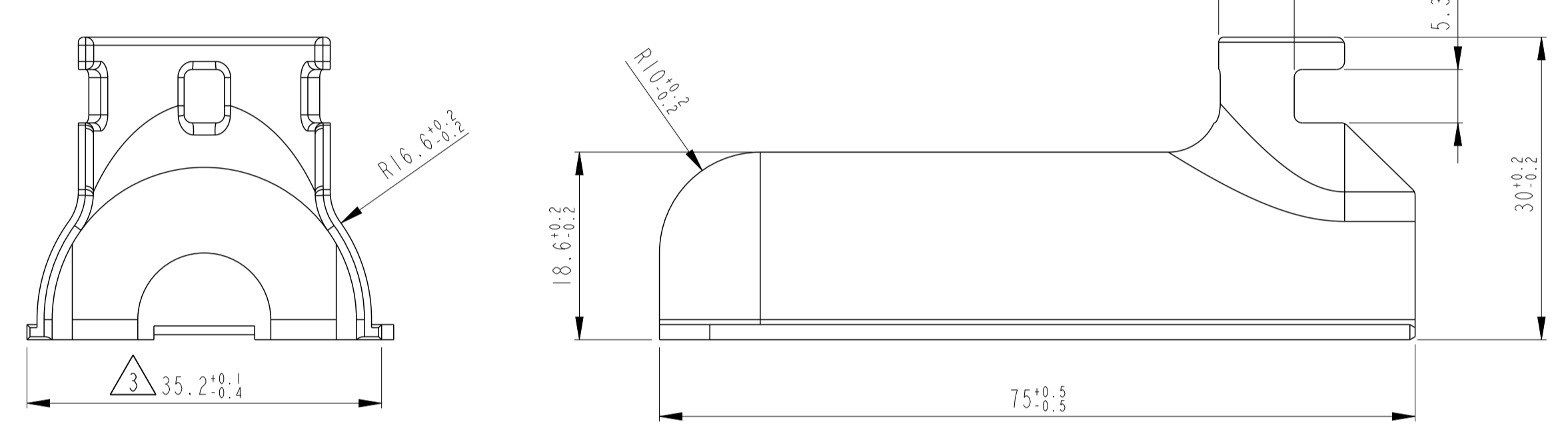
4 SHIELD, 45°  
 Abdeckkappe, 45°  
 1394911-2

MATERIAL: PA66-GF13  
 COLOUR: BLACK  
 Farbe: schwarz



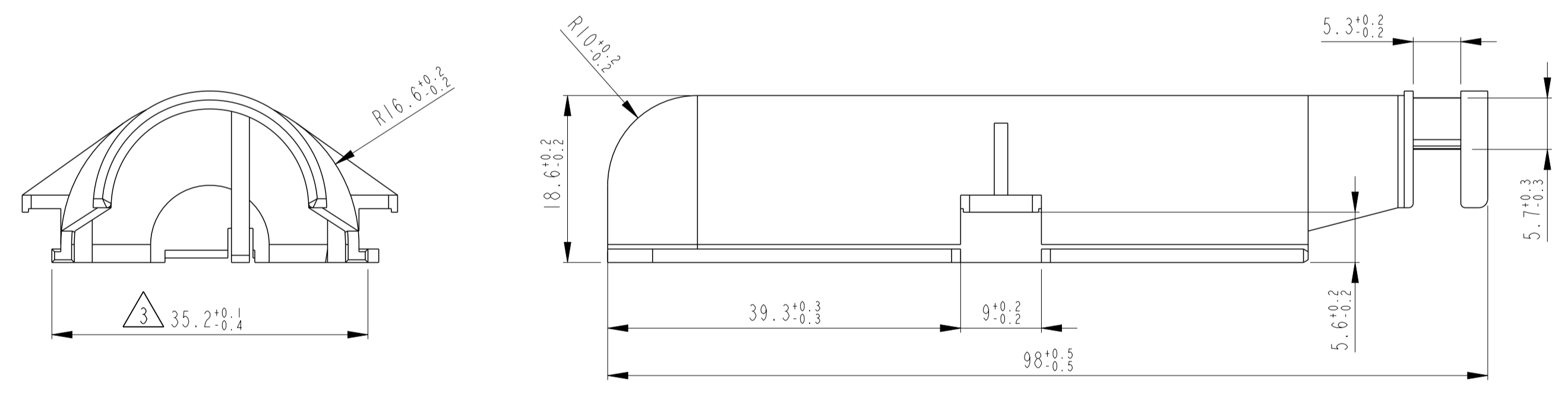
6 SHIELD, 180°  
 Abdeckkappe, 180°  
 1394909-2

MATERIAL: PA66-GF13  
 COLOUR: BLACK  
 Farbe: schwarz



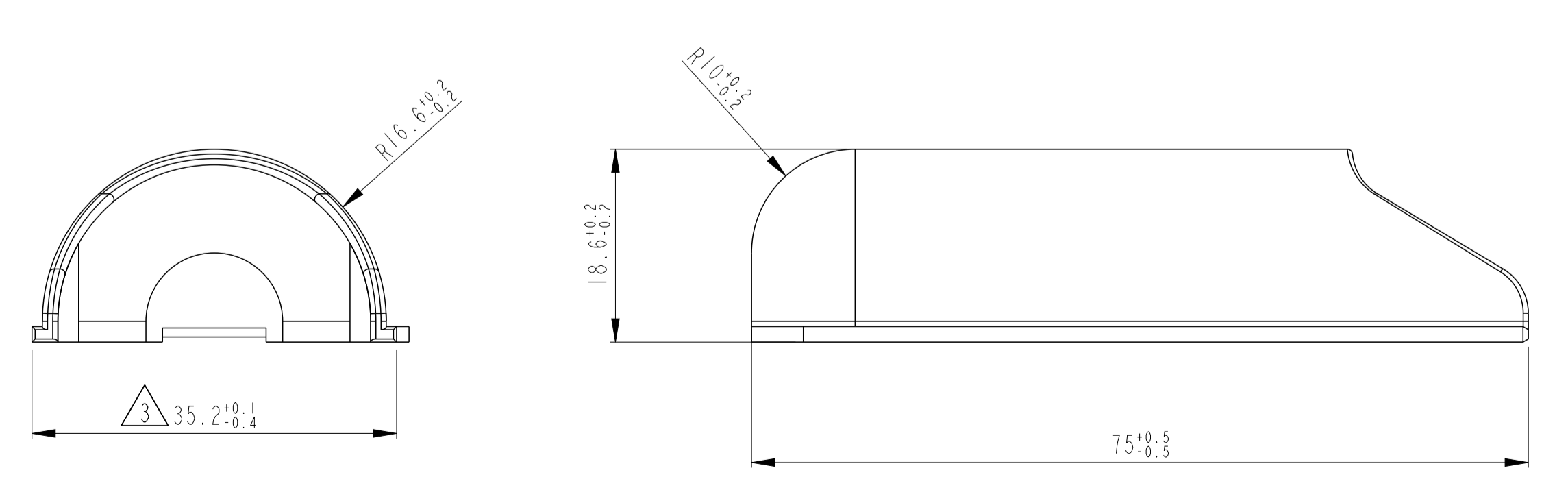
5 SHIELD, 90°  
 Abdeckkappe, 90°  
 1-1355132-2

MATERIAL: PA66-GF13  
 COLOUR: BLACK  
 Farbe: schwarz



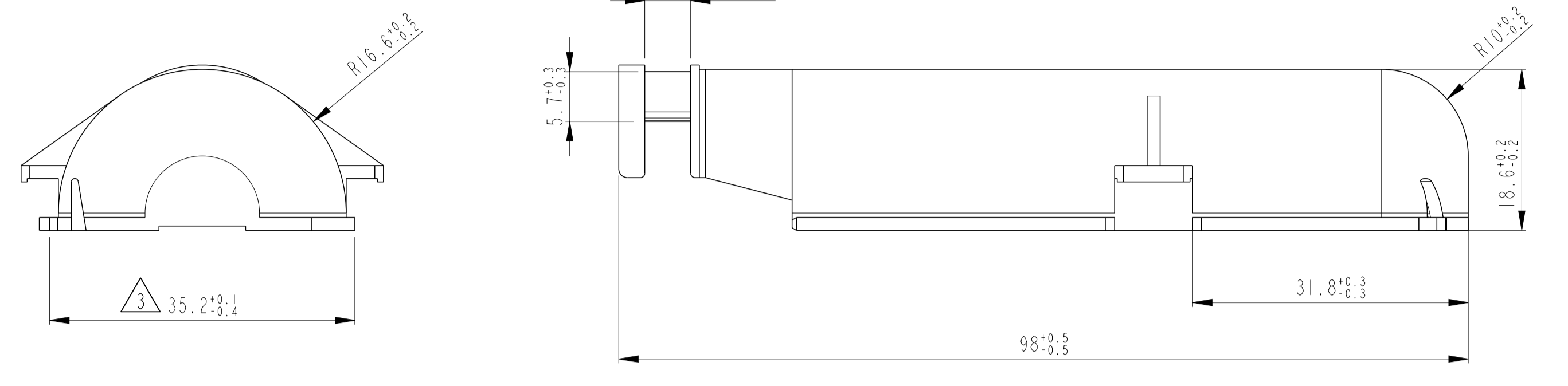
9 SHIELD, UNIVERSAL  
 Abdeckkappe, universal  
 1-1670425-1

MATERIAL: PA66-GF13  
 COLOUR: BLACK  
 Farbe: schwarz



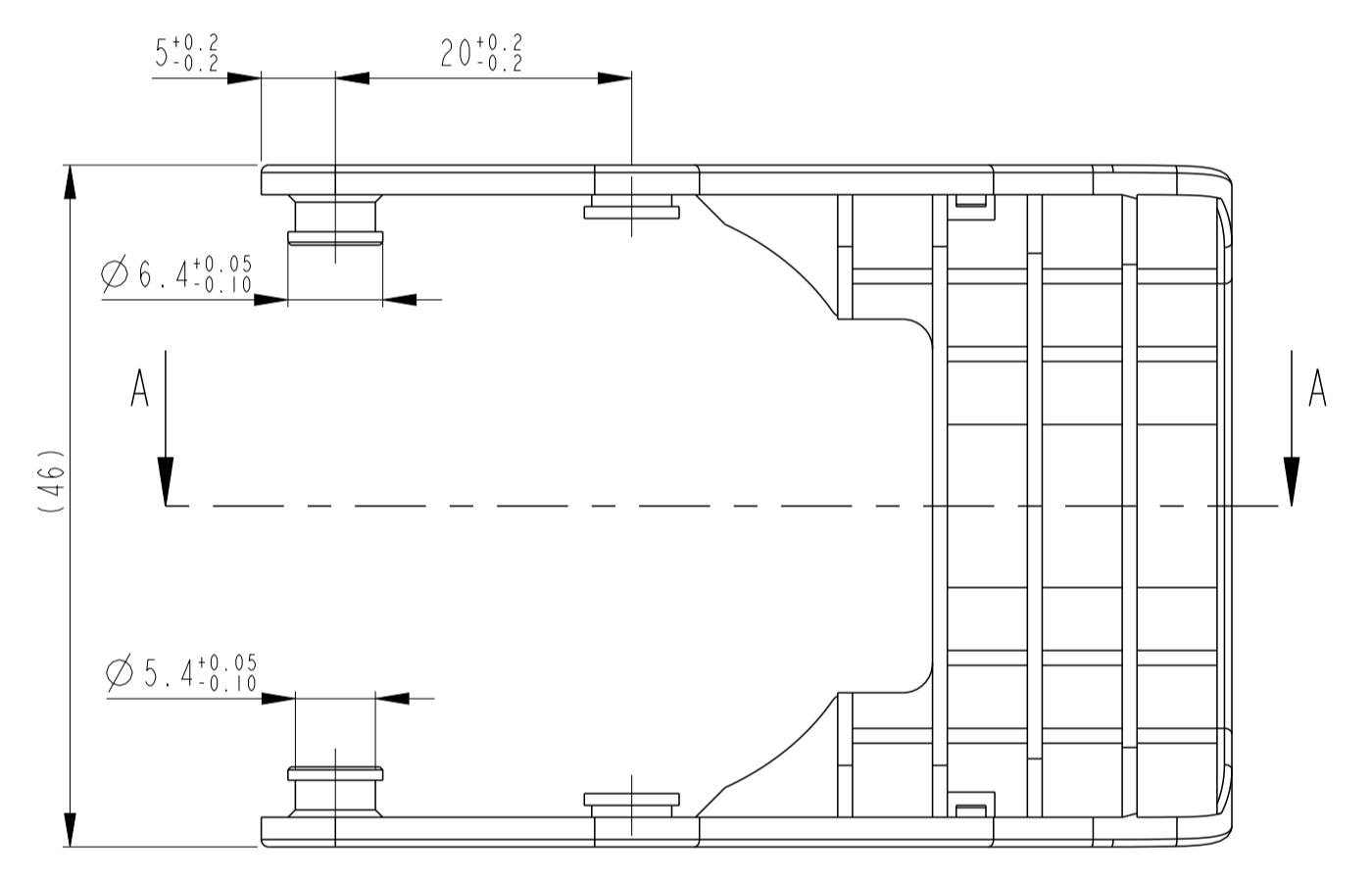
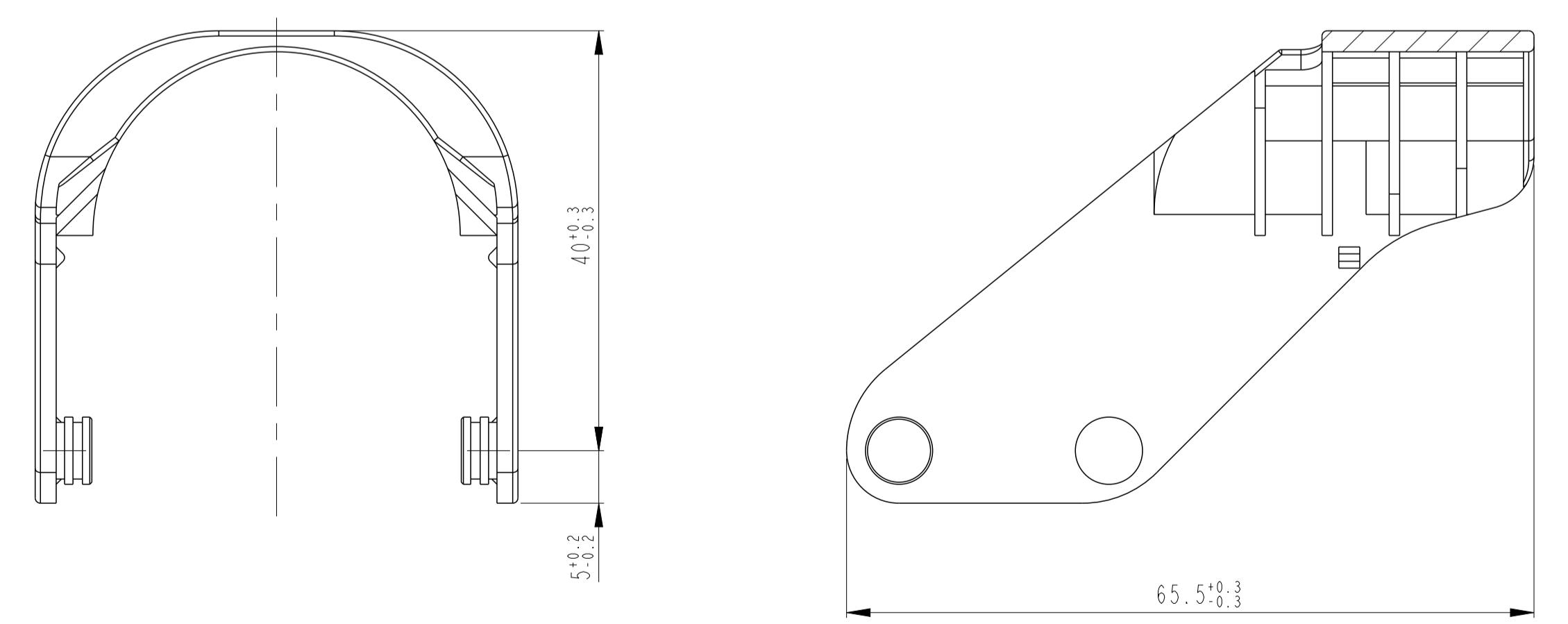
8 SHIELD, 90° REVERSE  
 Abdeckkappe, 90° gedreht  
 2-1355132-1

MATERIAL: PA66-GF13  
 COLOUR: BLACK  
 Farbe: schwarz



7 LEVER FOR RECEPTACLE HOUSING  
 Hebel fuer Aufnahmegehaeuse  
 1-1355133-1

MATERIAL: PA66-GF30  
 COLOUR: BLACK  
 Farbe: schwarz



PROJECT NO.:		REVISIONS		
EGAUT000243		ÄNDERUNGEN	DATE	APVD
P.	LYN.	DESCRIPTION		
		BESCHREIBUNG		
-		SEE SHEET 1	-	-

THIS DRAWING IS A CONTROLLED DOCUMENT. DIESES ZEICHNUNGSDOKUMENT WIRD DURCH UNS KONTROLLIERT. ANDERWEGS, DIE SICH TECHNISCHER FORTSCHRITT BEZIEHEN, SIND VORBEHALTEN. KEIN ANSATZ ZU UNABHÄNGIGEN ANPASSUNGEN GEMÄSS DER IKT ANFORDERUNGEN.		DWN: R. Sellien CHK: B. Leonhardi NAME: 140RT2002 DATE: 14.08.2002	TE Connectivity
DIMENSIONS: TO DIMENSIONS, UNLESS OTHERWISE SPECIFIED. MASSEINHEITEN: MM	ACC. TO: 1. PLC ±0.15 2. PLC ±0.15 3. PLC ±0.15 4. PLC ±0.15 FINISH: UNLESS OTHERWISE SPECIFIED.	PRODUCT SPEC: 140RT2002 PRODUKTSPEZ.: 108-18829 APPLICATION SPEC: 114-18521 VERARBEITUNGSSPEZ.: 114-18521	CONNECTOR HOUSING., 94POS. Steckverbindergehaeuse., 94pol., MQS + 1.5mm Clean Body + MCP2.8
MATERIAL: -	FINISH: UNLESS OTHERWISE SPECIFIED.	WEIGHT: - GEWICHT: -	RESTRICTED TO: - NUR FÜR: -
Customer Drawing		SCALE: 2:1	SHEET 3 OF 3 REV D4

深圳市众多星电子有限公司  
 ShenZhen Many Star Electronics Co.Ltd.