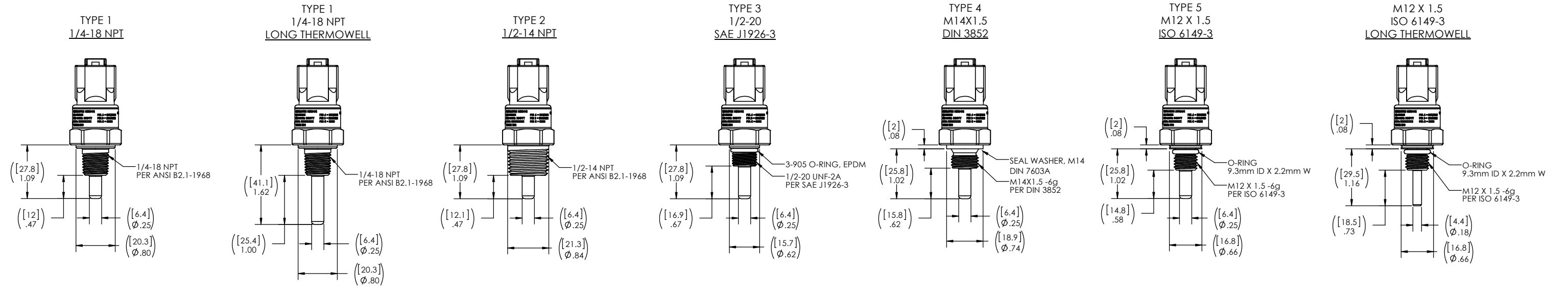
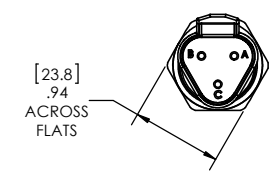


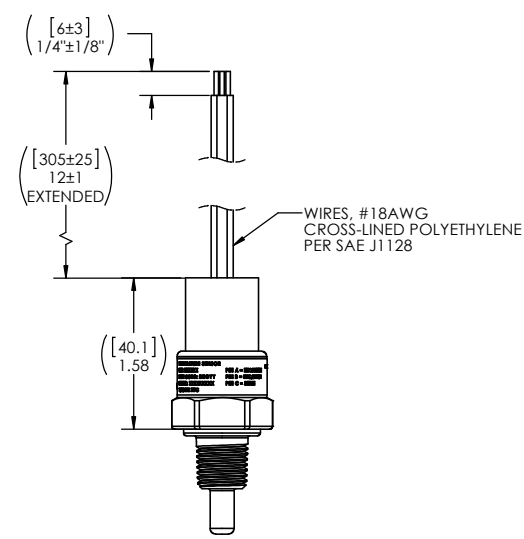
DWG. NO.	ETS-200	REV	A	REVISIONS	DATE	APPROVED
		CDN	REV.	DESCRIPTION		
			A	INITIAL RELEASE	7/30	KIESELBACH



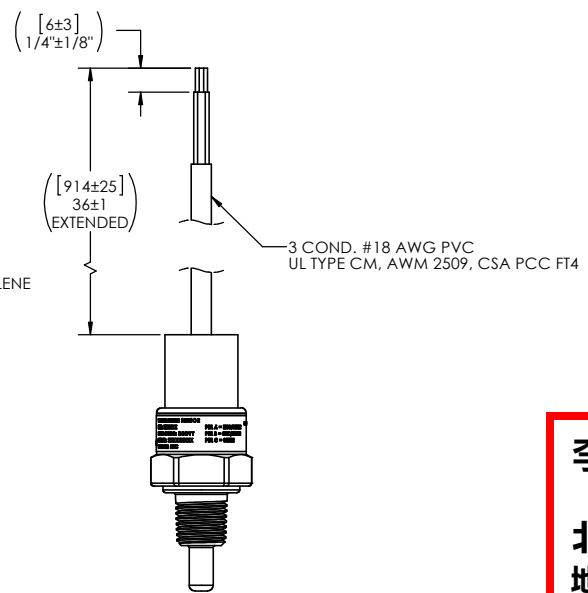
DEUTSCH DT04 COMPATIBLE CONNECTOR



LEAD WIRE CONNECTION



3 COND. CABLE CONNECTION



PART DESCRIPTION AND OPTIONS:

ETS-200 1 SS 10KNTC DT LG

ETS-200 = TEMPERATURE SENSOR

MOUNTING TYPE (1/4-18 NPT = 1, 1/2-14 NPT = 2, 1/2-20 = 3, M14X 1.5 DIN = 4, M12 X 1.5 ISO = 5)

HOUSING MATERIAL (BRASS = BR, 303 OR 316L = SS)

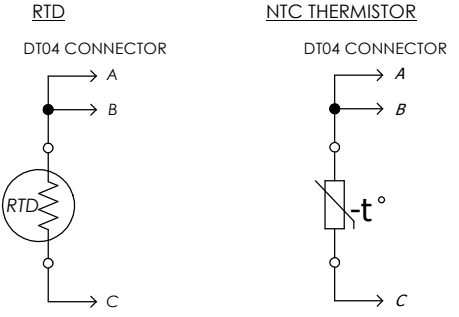
SENSOR RESISTANCE & TYPE (RTD, NTC THERMISTOR = NTC)

ELECTRICAL CONNECTION (DT04 = DT, WIRES = W, CABLE = C)

THERMOWELL LENGTH (STD = BLANK, LONG = LG)

- NOTES:**
- WETTED MATERIALS:
STANDARD HOUSINGS:
BRASS PER UNS C36000 OR JIS C3604
303 STAINLESS STEEL PER UNS S30300
316L STAINLESS STEEL PER UNS S31603
STANDARD O-RINGS: EPDM, 80 DUROMETER
 - SENSOR CHARACTERISTICS:
STANDARD RTD:
100 OHMS @ 32°F [0°C]
TEMPERATURE RANGE: -58°F to +311°F [-50°C to +155°C]
TOLERANCE: CLASS B ±0.12% [F0.3]
(RESISTANCE = 107.8 ±0.4 OHMS @ 68°F [20°C])
STANDARD NTC THERMISTOR:
TEMPERATURE RANGE: -40°F to +302°F [-40°C to +150°C]
ACCURACY: ±3.6°F [±2°C]
MAXIMUM POWER: 180 mW (@25°C PROBE TEMPERATURE)
R25: 10,000 OHMS
B25/85: 3435
B25/100: 3455
 - RESPONSE TIME (FLOWING MEDIA):
M12 X 1.5 HOUSING:
10% FS TO 90% FS : ≤ 10 SECONDS
TIME CONSTANT: ≤ 7 SEC.
1/4-18 NPT HOUSING: TBD

CONNECTION DIAGRAMS:



李春华 13701301733

北京中海佳科技有限公司

地址：北京市海淀区小营西路16号北楼522室

电话：010 - 82714837

QQ：37823822 微信：同手机或QQ号码

E-mail:shian100@126com

http://www.bjzhj.net

UNLESS OTHERWISE SPECIFIED, DIMENSIONS ARE IN INCHES.		CONTRACT NO.		Gems Sensors Inc. One Cowles Road Plainville, CT. USA 06062.1198	
TOLERANCES EXCEPT AS NOTED: DECIMAL .XX ±.010 .XXX ±.005 FRACTIONAL ±1/64 ANGULAR ±2° MACHINE FILLETS AND BREAK MACHINED EDGES .005-.015		SOLID MODEL NO. ETS-200		TITLE TEMPERATURE SENSOR, ETS-200	
CRITICAL TO QUALITY		DWG. DATE KIESELBACH 10/24/14		DATE CASWELL 7/30/15	
MATERIAL		APPR. DATE KIESELBACH 7/30/15		REV. DATE KIESELBACH 7/30/15	
FINISH		ACT. WT. CALC. WT.		SIZE CODE IDENT NO. DWG. NO. REV.	
APPLICATION		CUSTOMER		D 04034 ETS-200 A	
PROPRIETARY NOTICE THIS DOCUMENT AND THE DATA DISCLOSED HEREIN OR HEREWITH IS NOT TO BE REPRODUCED, COPIED, USED OR DISCLOSED IN WHOLE OR IN PART TO ANYONE WITHOUT THE PERMISSION OF GEMS SENSORS INC.		SCALE 1:1		C.C. ETS-200 SHEET 1 OF 1	