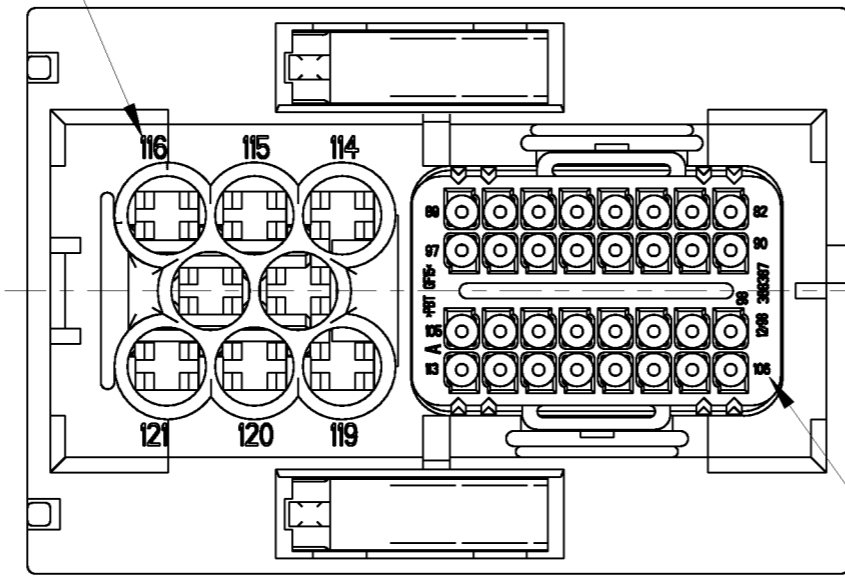


THIS DRAWING IS UNPUBLISHED. RELEASED FOR PUBLICATION 20
 © COPYRIGHT 20 ALL RIGHTS RESERVED.

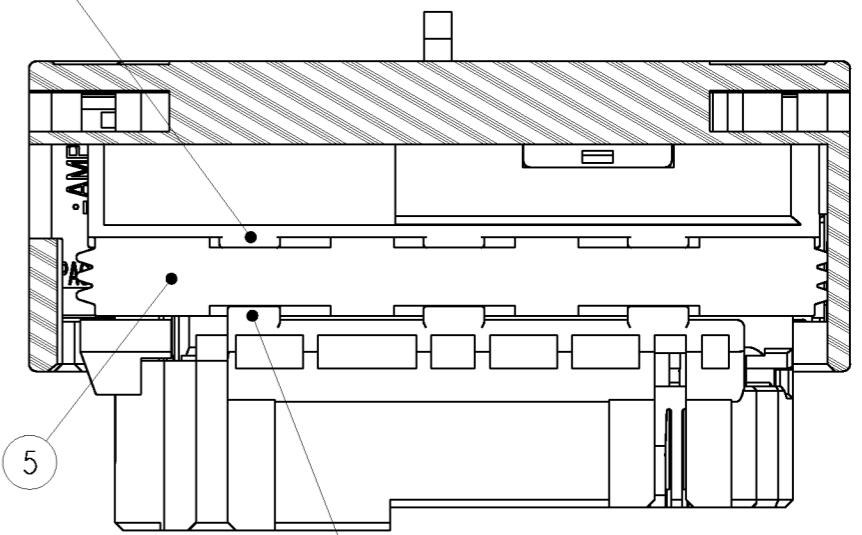
LOC		DIST		REVISIONS			DATE	DWN	APVD
P	LTR	DESCRIPTION							
	A2	REVISED PER ECO-11-005140		09APR2011	RK	HMR			

CIRCUIT NUMBER



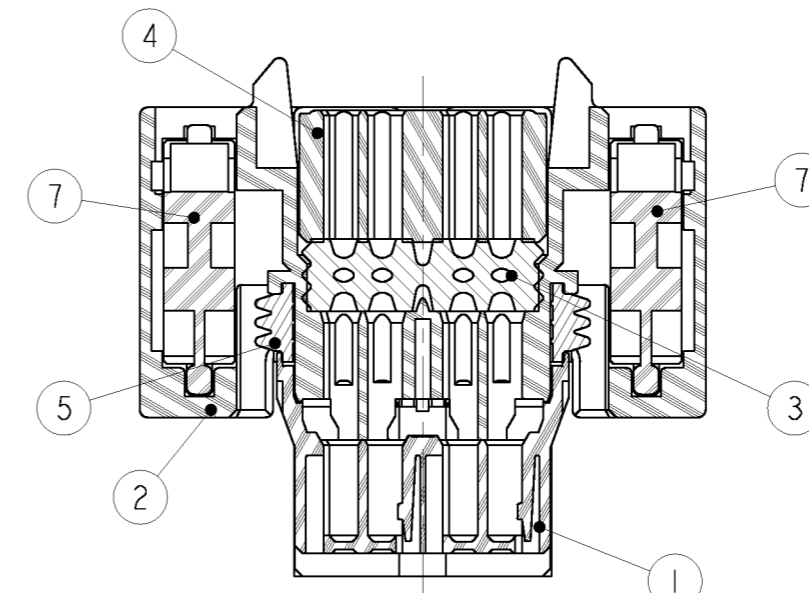
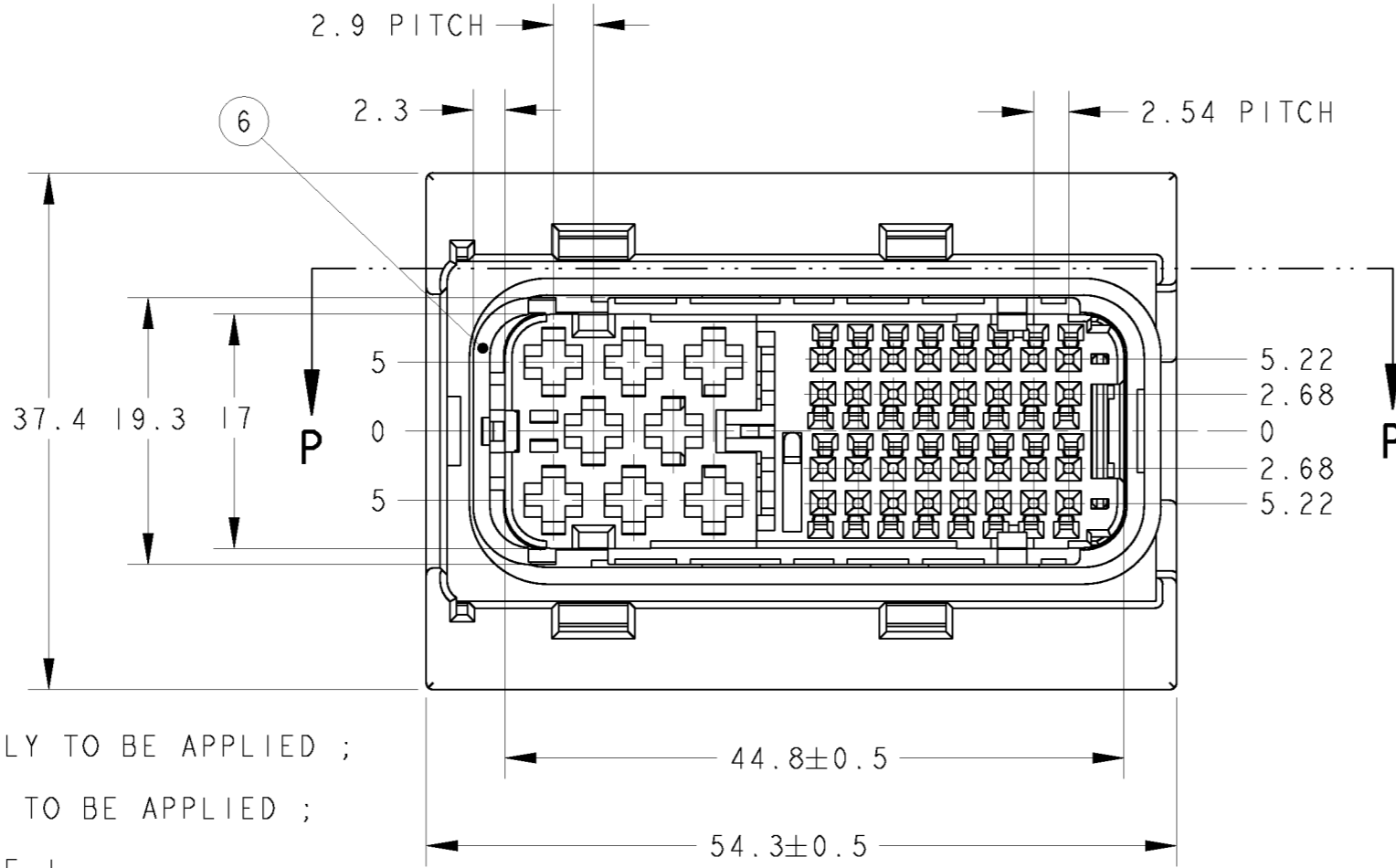
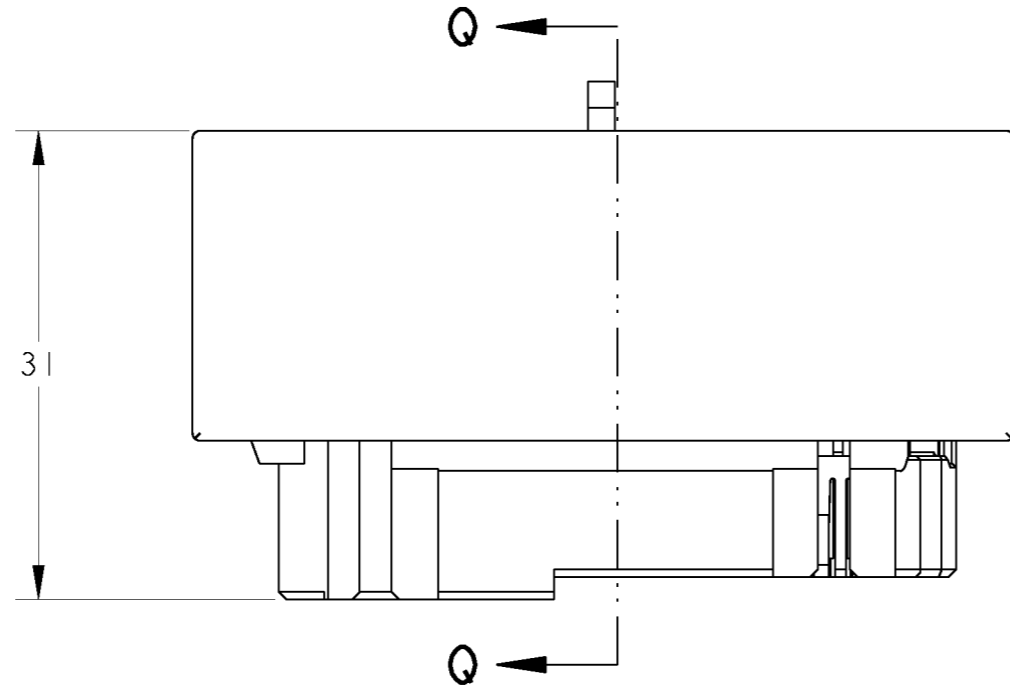
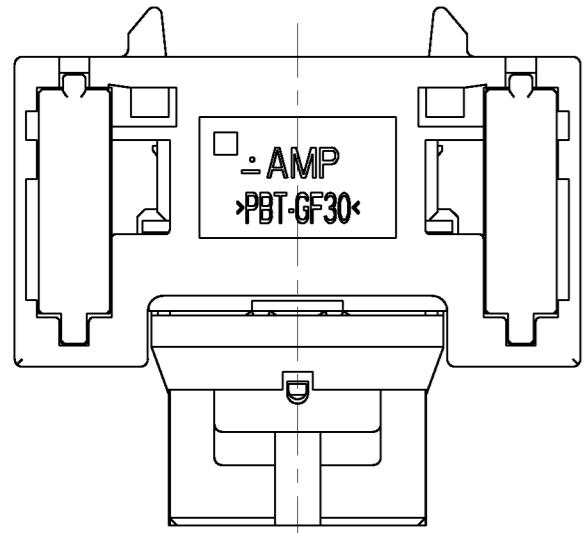
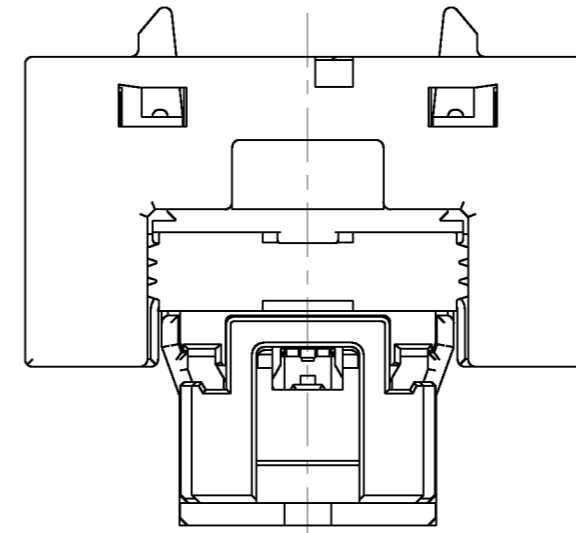
CIRCUIT NUMBER

BOSS OF MAIN CAVITY BLOCK.
IT HOLD A PERIPHERAL SEAL.
(8PLC)

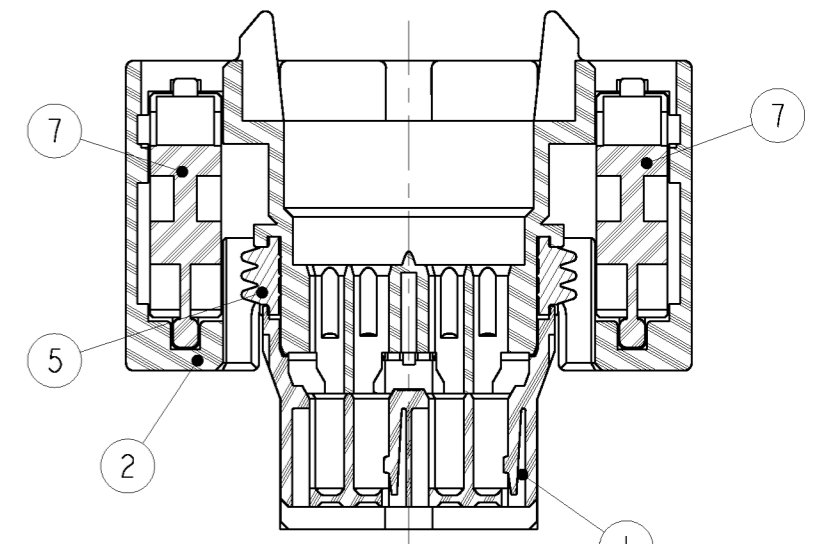


P-P

BOSS OF FRONT CAVITY BLOCK.
IT HOLD A PERIPHERAL SEAL.
(6PLC)



Q-Q 1473252-1



Q-Q 1473252-2

- PART NUMBER OF LEVER ASSEMBLY TO BE APPLIED ; P/N 1473255-1
- PART NUMBER OF MQS RETAINER TO BE APPLIED ; P/N 368388-1
- APPLIED TERMINAL ; SEE TABLE-I
- PART NUMBER OF CAP HOUSING TO BE MATED ; P/N 1241434-1
- INSTRUCTION SHEET NO ; 411-78008

- 適応レバーアセンブリ型番は、P/N 1473255-1
- 適応MQSリテーナ型番は、P/N 368388-1
- 適応端子はTABLE-I参照
- 嵌合相手型番は、P/N 1241434-1
- 取扱説明書 NO ; 411-78008

深圳市众多星电子有限公司
ShenZhen Many Star Electronics Co.Ltd.

TABLE-I

CONTACT	MQS		JPT		
PART NUMBER	968220-1	968221-1	964282-2	964286-2	964273-2
WIRE SIZE (mm ²)	0.2~0.5	0.75	0.2~0.5	0.5~1.0	>1.0~2.5

2	2	PA66	SLIDER	BLACK	7
1	1	PBT	JPT RETAINER	YELLOW	6
1	1	SILICONE	PERIPHERAL SEAL	ORANGE	5
-	1	PBT	SEAL RETAINER	BLACK	4
-	1	SILICONE	32POS FAMILY SEAL	ORANGE	3
1	1	PBT	MAIN CAVITY BLOCK	BLACK	2
1	1	PA66	FRONT CAVITY BLOCK	BLACK	1
-2	-1	MATERIAL	PART NAME	FINISH/COLOR	NO

THIS DRAWING IS A CONTROLLED DOCUMENT.

DIMENSIONS: 単位: ㎜	TOLERANCES UNLESS OTHERWISE SPECIFIED: 一般公差 ±0.3
0-PLC ±	1-PLC ±0.5
2-PLC ±0.13	3-PLC ±0.013
4-PLC ±0.0001	ANGLES ±3°00'
MATERIAL 材料	FINISH 仕上
SEE TABLE	SEE TABLE

DWN Y. KAWAHARA	10OCT01	TE Connectivity	NAME Y. KAWAHARA	10OCT01
CHK N. SAI	10OCT01		PRODUCT SPEC 108-5793	
APVD K. SHIMIZU	10OCT01		APPLICATION SPEC 114-18021, 114-18030	
SIZE A2	CAGE CODE 00779	DRAWING NO C-1473252	RESTRICTED TO	
WEIGHT 32.2g	CUSTOMER DRAWING	SCALE 2:1	SHEET 1	OF 1
			REV A2	