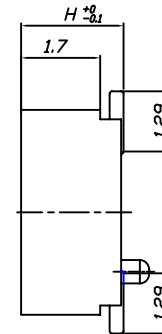
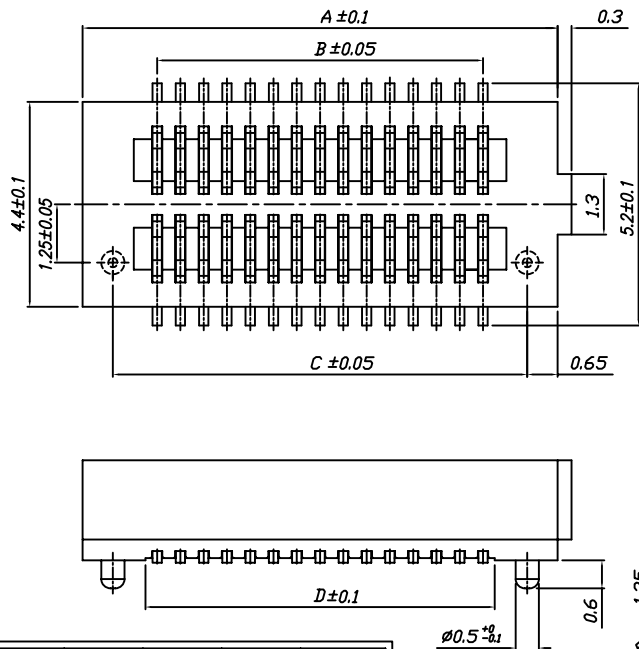
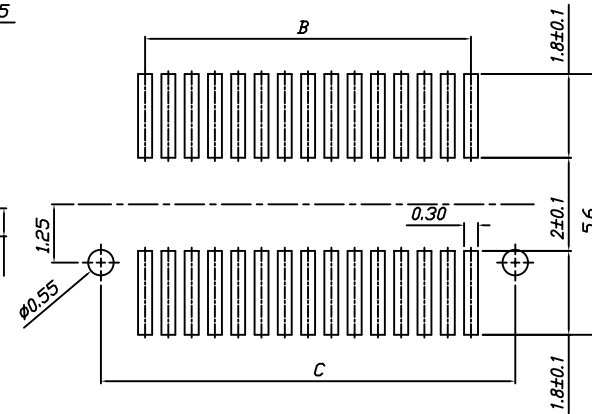


NO	변경 사항	수정 내용	비고	수정	일시	승인	일시
1	3개소 형상 변경	변경점 통보서에 의거		2012.05.08	2012.05.08	C.W.D	2012.05.09
2							
3							



HIGH	SOCKET(H)	PLUG(H)
3.0	2.2	0.8
3.5	2.2	1.3
4.0	3.0	1.0
4.5	3.5	1.0
5.0	4.0	1.0
5.5	4.5	1.0
6.0	4.0	2.0
6.5	4.5	2.0

	A	B	C	D		A	B	C	D	
08P	4.70	1.50	3.40	2.00		36P	11.70	8.50	10.40	9.00
10P	5.20	2.00	3.90	2.50		38P	12.20	9.00	10.90	9.50
12P	5.70	2.50	4.40	3.00		40P	12.70	9.50	11.40	10.00
14P	6.20	3.00	4.90	3.50		42P	13.20	10.00	11.90	10.50
16P	6.70	3.50	5.40	4.00		44P	13.70	10.50	12.40	11.00
18P	7.20	4.00	5.90	4.50		46P	14.20	11.00	12.90	11.50
20P	7.70	4.50	6.40	5.00		48P	14.70	11.50	13.40	12.00
22P	8.20	5.00	6.90	5.50		50P	15.20	12.00	13.90	12.50
24P	8.70	5.50	7.40	6.00		60P	17.70	14.50	16.40	15.00
26P	9.20	6.00	7.90	6.50		70P	20.20	17.00	18.90	17.50
28P	9.70	6.50	8.40	7.00		80P	22.70	19.50	21.40	20.00
30P	10.20	7.00	8.90	7.50		90P	25.20	22.00	23.90	22.50
32P	10.70	7.50	9.40	8.00		100P	27.70	24.50	26.40	25.00
34P	11.20	8.00	9.90	8.50						

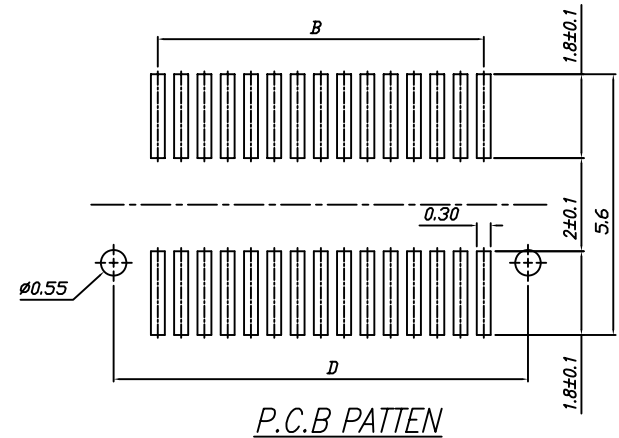
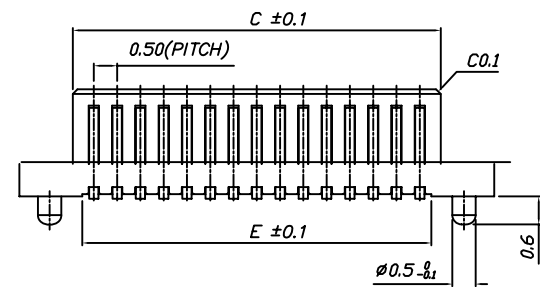
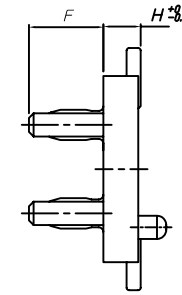
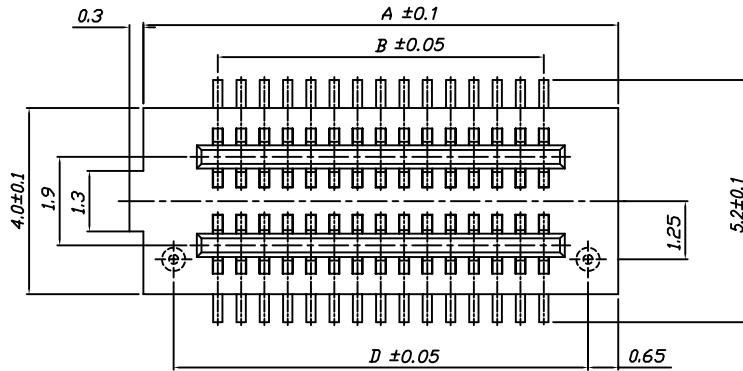


P.C.B PATTEN

Min:0.03 $\mu$ m Gold plating over Min:1.2 $\mu$ m Nickel

DRAWG NO		PART NAME		MATERIAL		QUANTITY		SPECIFICATION		TREATMENT	REFERENCE
				SOCKET		PA 6T		CS210R-SH : #0.2(phosphor bronze)			
				THROUGH HOLE PROJECTION		UNIT mm		SCALE		TOLERANCE	
				APPROVAL		CHECK		DESIGN		DRAW	
				SIGN						WK NAME	
				DATE		REVISION				NO.5mm SOCKET-LK	
										PART NAME	
										0.5mm BOARD TO BOARD	
										DRAWG NO.	

NO	변경 사항	수정 내용	비고	수정	일시	승인	일시
1	2개소 형상 변경	변경점 통보서에 의거		2012.05.08	2012.05.08	C.W.D	2012.05.09
2							
3							



HIGH	PLUG	SOCKET	F
3.0	0.8	2.2	1.6
3.5	1.3	2.2	1.6
4.0	1.0	3.0	1.9
4.5	1.0	3.5	1.9
5.0	1.0	4.0	1.9
5.5	1.0	4.5	1.9
6.0	2.0	4.0	1.9
6.5	2.0	4.5	1.9

	A	B	C	D	E		A	B	C	D	E
10P	5.20	2.00	2.90	3.90	2.50	36P	11.70	8.50	9.40	10.40	9.00
12P	5.70	2.50	3.40	4.40	3.00	38P	12.20	9.00	9.90	10.90	9.50
14P	6.20	3.00	3.90	4.90	3.50	40P	12.70	9.50	10.40	11.40	10.00
16P	6.70	3.50	4.40	5.40	4.00	42P	13.20	10.00	10.90	11.90	10.50
18P	7.20	4.00	4.90	5.90	4.50	44P	13.70	10.50	11.40	12.40	11.00
20P	7.70	4.50	5.40	6.40	5.00	46P	14.20	11.00	11.90	12.90	11.50
22P	8.20	5.00	5.90	6.90	5.50	48P	14.70	11.50	12.40	13.40	12.00
24P	8.70	5.50	6.40	7.40	6.00	50P	15.20	12.00	12.90	13.90	12.50
26P	9.20	6.00	6.90	7.90	6.50	60P	17.70	14.50	15.50	16.40	15.00
28P	9.70	6.50	7.40	8.40	7.00	70P	20.20	17.00	18.00	18.90	17.50
30P	10.20	7.00	7.90	8.90	7.50	80P	22.70	19.50	20.50	21.40	20.00
32P	10.70	7.50	8.40	9.40	8.00	90P	25.20	22.00	23.00	23.90	22.50
34P	11.20	8.00	8.90	9.90	8.50	100P	27.70	24.50	25.50	26.40	25.00

Min:0.03 $\mu$ m Gold plating over Min:1.2 $\mu$ m Nickel

DRAWG NO		PART NAME		PLUG		PA 6T		CS210R-SH : 10.2(phosphor bronze)		TREATMENT	REFERENCE
THROUGHLE PROJECTION	UNIT mm	SCALE	TOLERANCE	QUANTITY	SPECIFICATION	WK NAME	NO.5mm PLUG-LK				
APPROVAL	CHECK	DESIGN	DRAW			PART NAME	0.5mm BOARD TO BOARD				
MARK	DATE	REVISION	SIGN			DRAWG NO.					