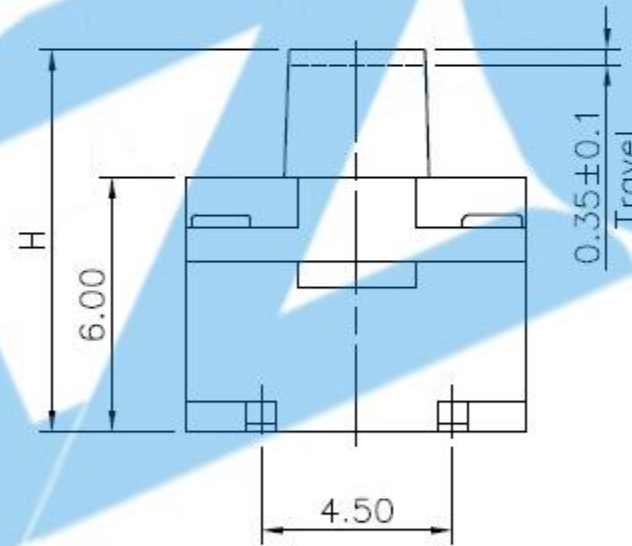
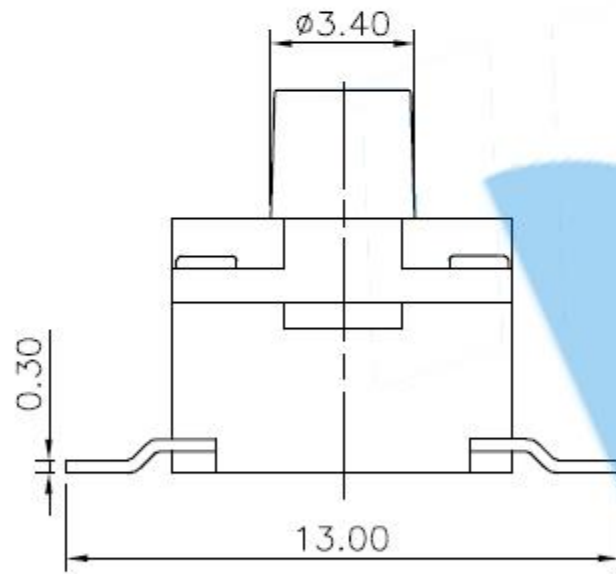


PCB Layout(Pattern side)

Circuit Diagram



NO.1			
PART NO	H	PART NO	H
E	6	Q	12
F	6.5	R	12.5
G	7	S	13
H	7.5	T	13.5
I	8	U	14
J	8.5	V	15
K	9	W	16
L	9.5	X	17
M	10	Y	18
N	10.5	Z	19
O	11	1	15.5
P	11.5	2	16.5

NO.2	
PART NO	vigor
4	250±30
5	350±50

NO.3	
PART NO	MATERIAL/QTY
S	SUS/1PC
C	C5210/1PC
D	SUS/2PCS
F	C5210/2PCS

NO.4-NO.5	
PART NO	NOTE
01~99	SERIAL NUMBER

ITEM	PART NAME	TER'NO.	QTY.	MATERIAL	FINISHING	REMARK
⑧	Dust Cover	—	1	Kapton Film	Yellow	—
⑦	Gasket	—	1	Nylon	Black	—
⑥	Waterproof Silicone	—	1	Silica gel	Black	—
⑤	Terminal	—	4	Brass(0.3t)	Plating silver	—
④	Contact	—	1	F.Ag/C5210	White	—
③	Base	—	1	Nylon	Black	—
②	Cover	—	1	Nylon	Black	—
①	Keystoke	—	1	Nylon	Black	—

APPROVALS		DATE	IZG 东莞市智良实业有限公司 DongGuanshi Zhi Liang Industrial CO., Ltd			
DRAWN	J.X.Zhang	2013/6/13	TITLE:	TACT SWITCHS		
CHECKED			PART NO.	ZL-803		
APPROVALS			UNIT: mm	SCALE: 1:1	PROJ:	
TOLERANCES ARE			ANGLE	DRAWING NO.	SHEET 1 OF 1	
30~以上	±0.30	±2'	UNIT: mm	SCALE: 1:1	DRAWING NO.	SHEET 1 OF 1
10~30	±0.20					
5~10	±0.15					
~ 5	±0.10					

ECN NO.	REV.	DATE.	DESCRIPTION.	CHANGE.	CHECK.	APPRO.
	A		NEW			