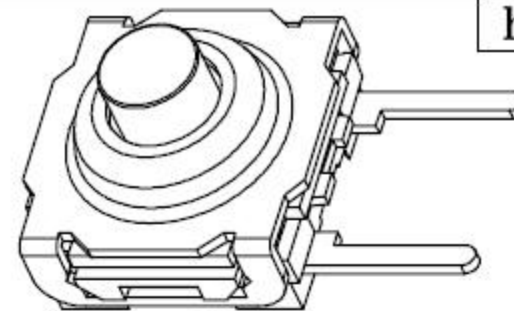
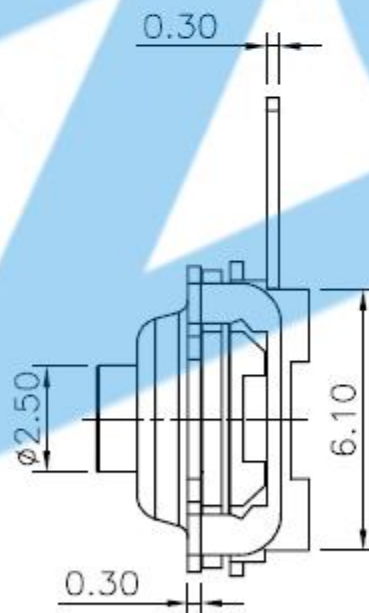
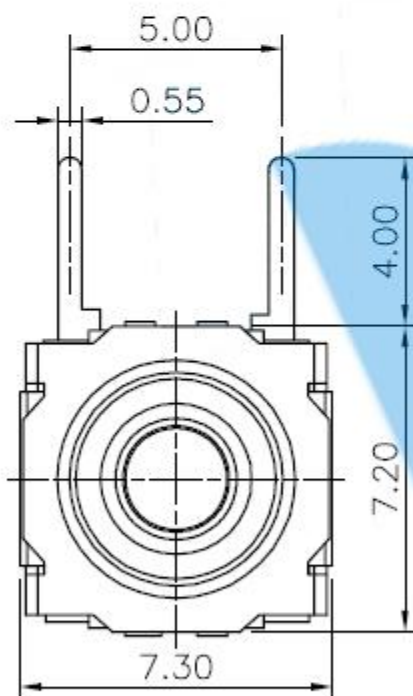


PCB Layout(Pattern side)



NO.1	
PART NO	H
C	5
G	7
H	7.5
J	8.5
M	9.9

NO.2	
PART NO	vigor
4	250±30
5	350±50

NO.3	
PART NO	MATERIAL/QTY
S	SUS/1PC
C	C5210/1PC
D	SUS/2PCS
F	C5210/2PCS

NO.4-NO.5	
PART NO	NOTE
01~99	SERIAL NUMBER

ITEM	PART NAME	TER'NO.	QTY.	MATERIAL	FINISHING	REMARK
⑤	Cover	—	1	Brass	Tin Plated	—
④	Keystoke	—	1	Silica gel	Red	—
③	Contact	—	1	F.Ag/C5210	Plating silver	—
②	Base	—	1	PPA	Black	—
①	Terminal	—	4	Copper(0.3t)	Plating silver	—

APPROVALS		DATE	IZG 东莞市智良实业有限公司 DongGuanshi Zhi Liang Industrial CO., Ltd			
DRAWN	J.X.Zhang	2013/6/13	TITLE: TACT SWITCHS			
CHECKED			PART NO. ZL-801			
APPROVALS			TOLERANCES ARE			
		30~以上	±0.30	ANGLE	UNIT: mm	SCALE: 1:1
		10~30	±0.20	±2'	DRAWING NO.	SHEET 1 OF 1
		5~10	±0.15			
		~ 5	±0.10			

ECN NO.	REV.	DATE.	DESCRIPTION.	CHANGE.	CHECK.	APPRO.
	A		NEW			