

Recommended P/N 20498-RE-41**

PART No.	Pos.	A	B	C	D	E
20498-26E-**	26	12.4	10.8	8.1	3.6	6.7
20498-32E-**	32	14.2	12.6	9.9	4.5	10.9
◆20498-34E-**	34	14.8	13.2	10.5	4.8	11.5
20498-40E-**	40	16.6	15.0	12.3	5.7	10.9
20498-50E-**	50	19.6	18.0	15.3	7.2	11.5

◆MARK MEANS NOT AVAILABLE (ALL)

20498-***E-**

- 0 : WITHOUT VACUUM CLIP
- 1 : WITH VACUUM CLIP

- 0 : SHELL Au PLATING
- 2 : SHELL Sn PLATING
- 3 : WITH GUIDE SHELL Au PLATING
- 4 : WITH GUIDE SHELL Sn PLATING

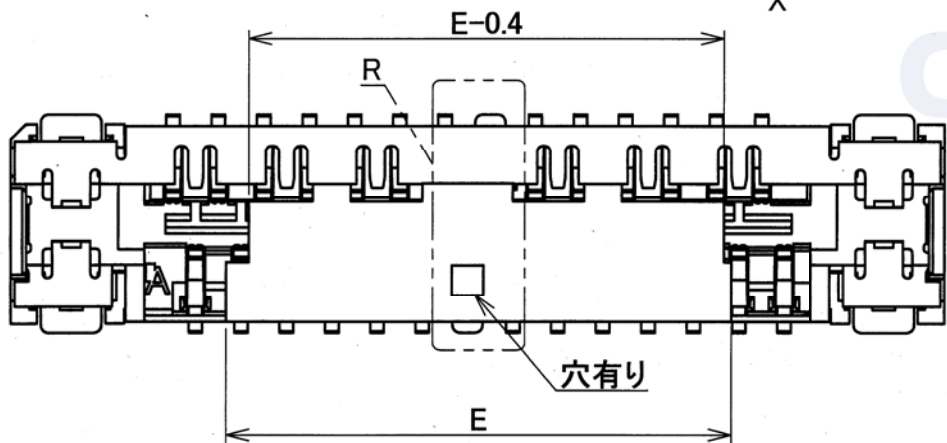
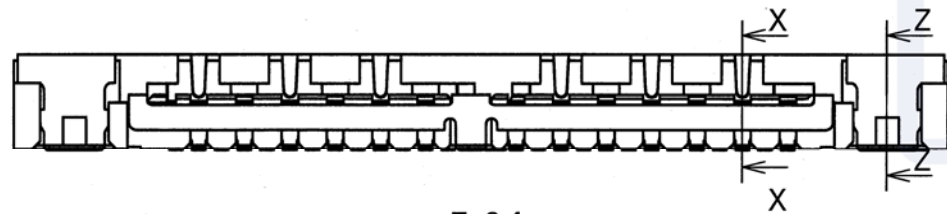
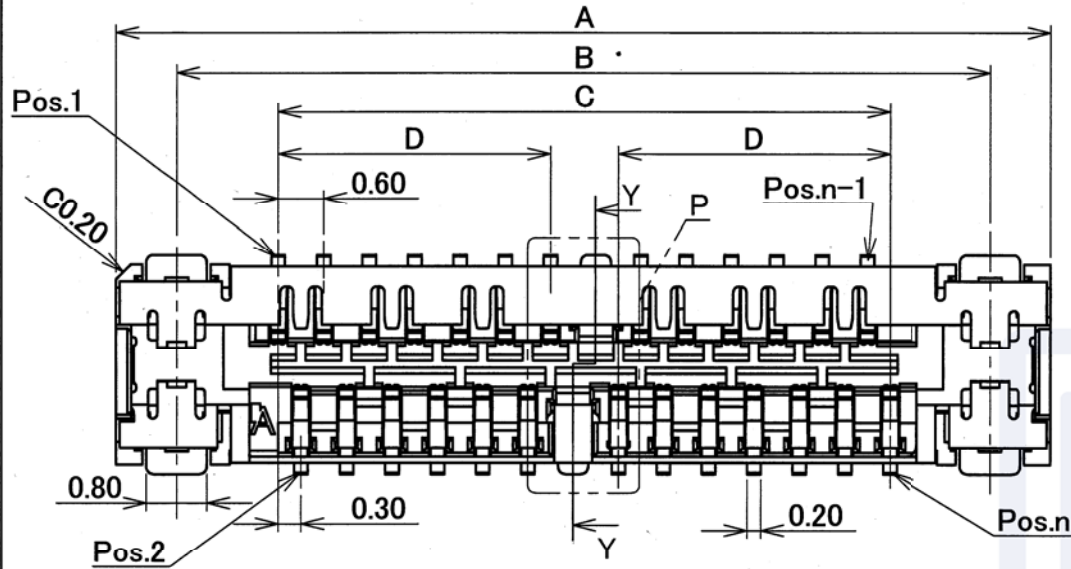
Pos.

HOUSING METARIAL

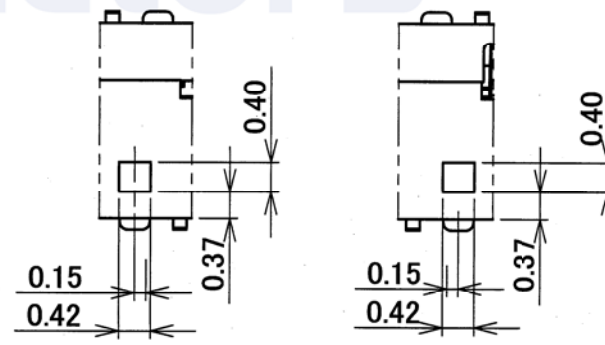
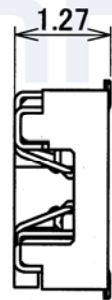
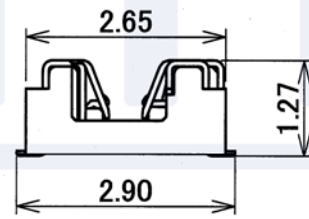
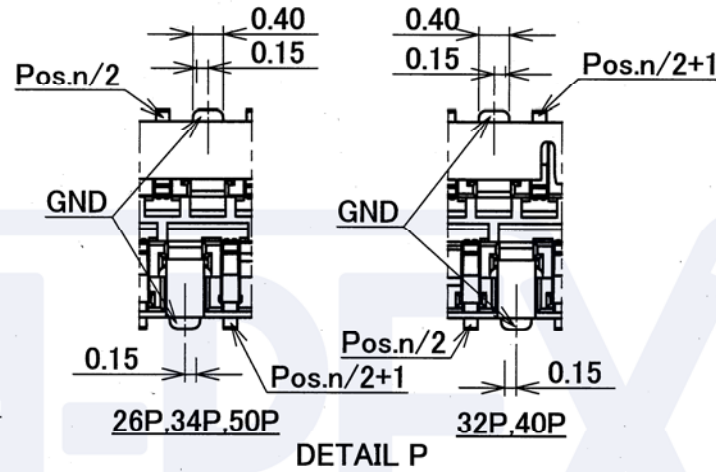
- 0 : LCP , UL94L-0
- R : LCP , UL94L-0 (RED PHOSPHORUS IS NOT USED)

PART COMBINATION TABLE

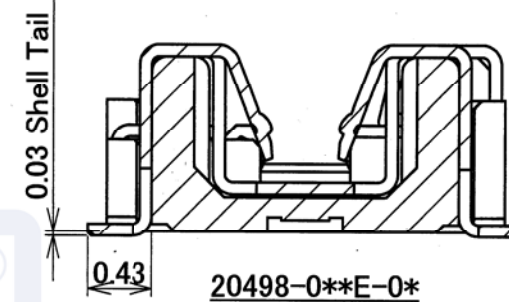
RECEPTACLE ASS'Y	PLUG CABLE ASS'Y
20498-0**E-0*	20496-0**-0*
20498-0**E-2*	20496-0**-20
20498-0**E-3*	20496-0**-30
20498-R**E-3*	20496-R**-30
20498-0**E-4*	20496-0**-40
20498-R**E-4*	20496-R**-40



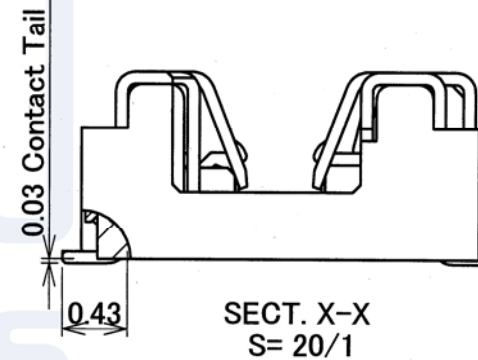
WITH VACUUM CLIP



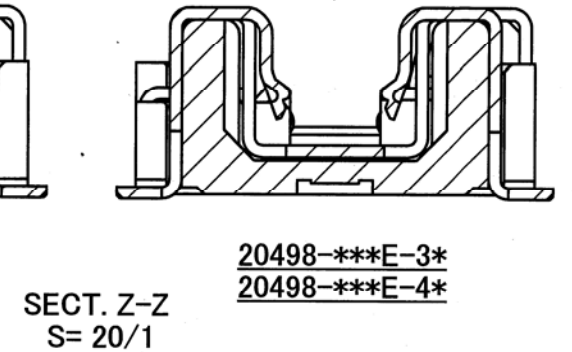
DETAIL R



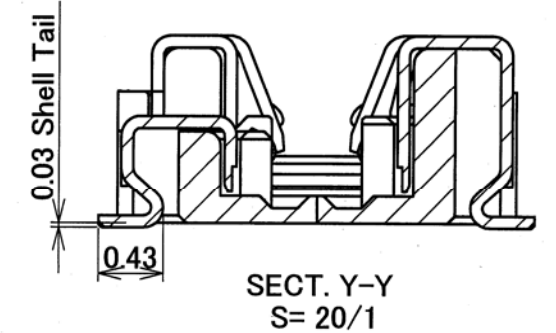
20498-0**E-0*
20498-0**E-2*



SECT. X-X
S= 20/1



SECT. Z-Z
S= 20/1



SECT. Y-Y
S= 20/1

NOTES.

1.MATERIAL & FINISH

- HOUSING : LCP, UL94V-0 , BLACK
- CONTACT : COPPER ALLOY, Au
- SHELL : COPPER ALLOY, Au or Sn

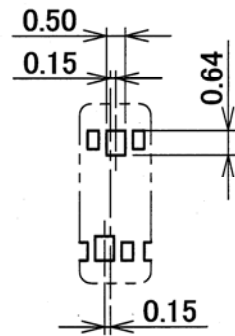
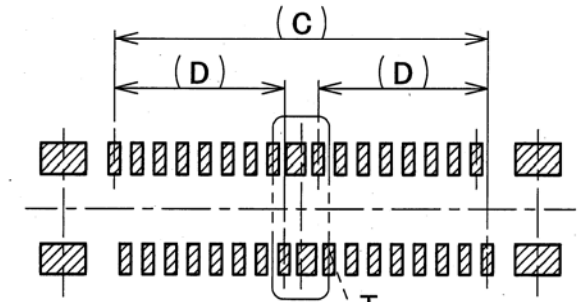
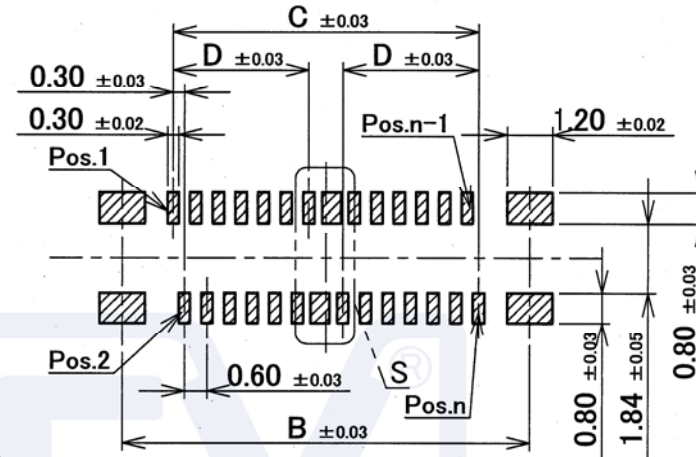
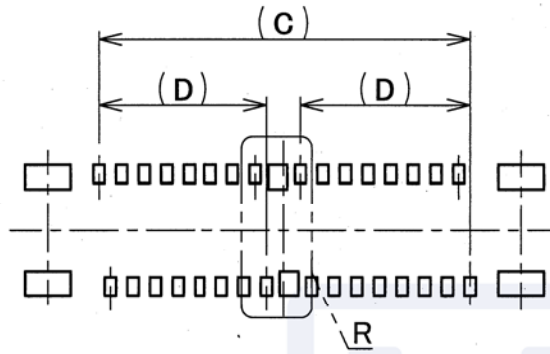
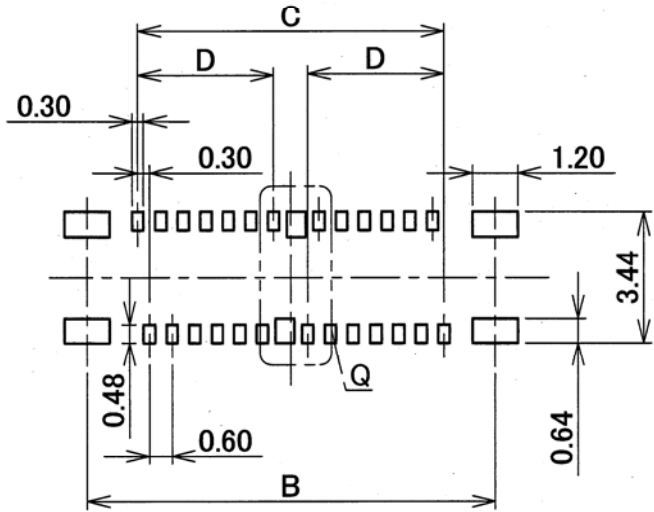
2.TAIL COPLANARITY : 0.1MAX.

6 MAX.	±0.2	TITLE	CABLIN-UA II RECEPTACLE ASS'Y	I-PEX connectors
6 OVER MAX. 30	±0.3			
30 OVER MAX. 120	±0.5			
ANGLE	±2°			
GENERAL TOLERANCE		SERIES No. R3	DWG. No. 20498	SHEET 1/2
PROJECTION	SCALE 1:0.1			

Recommended P/N 20498-RE-41**

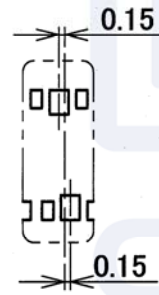
PART No.	Pos.	A	B	C	D
20498-*26E-**	26	12.4	10.8	8.1	3.6
20498-*32E-**	32	14.2	12.6	9.9	4.5
◆20498-*34E-**	34	14.8	13.2	10.5	4.8
20498-*40E-**	40	16.6	15.0	12.3	5.7
20498-*50E-**	50	19.6	18.0	15.3	7.2

◆MARK MEANS NOT AVAILABLE (ALL)



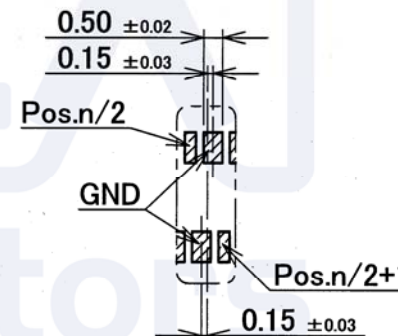
26P,34P,50P

DETAIL Q



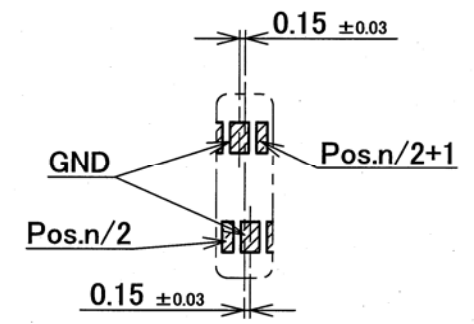
32P,40P

DETAIL R



26P,34P,50P

DETAIL S



32P,40P

DETAIL T

Recommended Metal Mask S=5/1
Recommended Thickness of Metal Mask : t=0.12mm

Recommended Footprint Pattern (Mount Side) S=5/1

6 MAX.	±0.2	TITLE			
6 OVER MAX. 30	±0.3	CABLINE-UA II RECEPTACLE ASS'Y			
30 OVER MAX. 120	±0.5				
ANGLE	±2°				
GENERAL TOLERANCE		SERIES No.	DWG. No.	SHEET	REV.
PROJECTION	SCALE	UNIT	R3	20498	2/2
12	1:0.1	mm			12