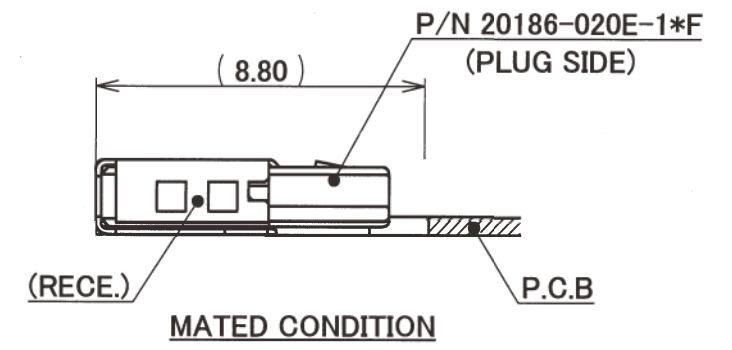
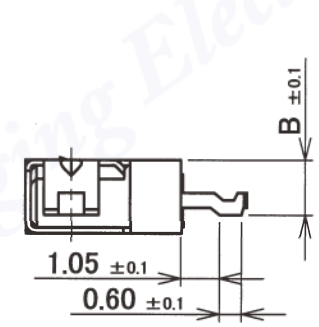
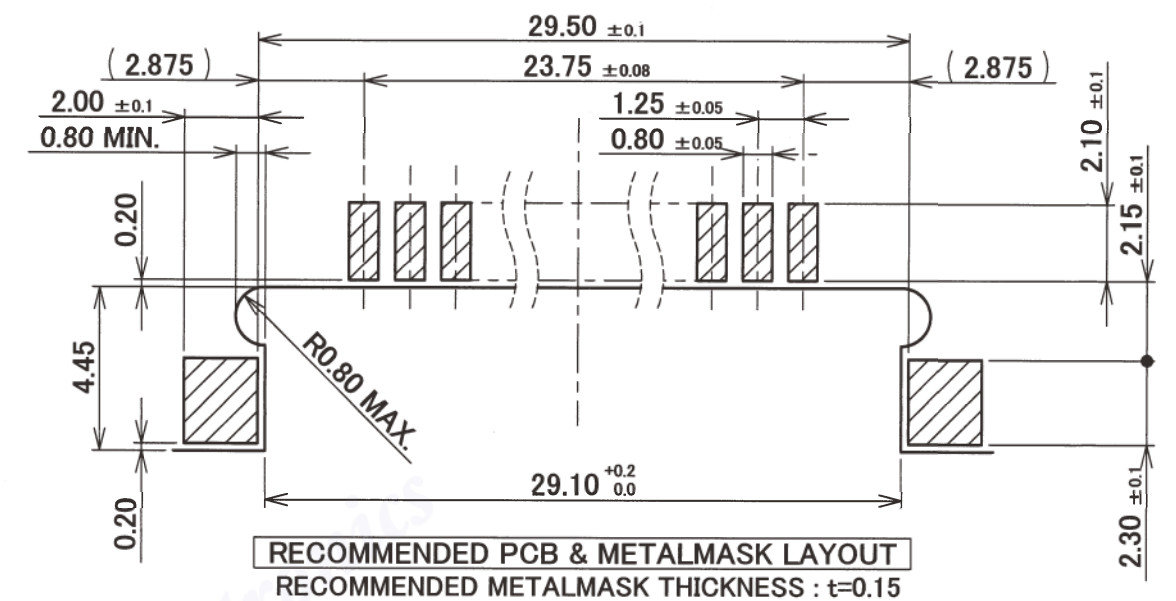
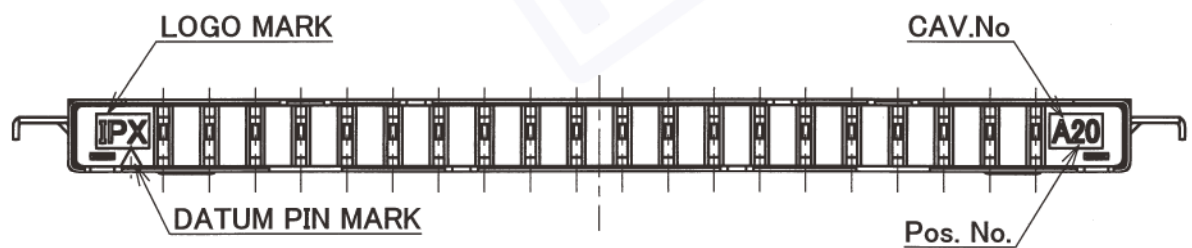
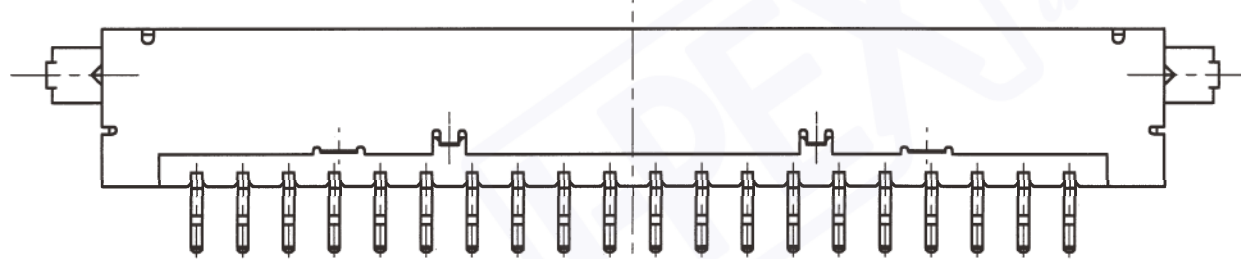
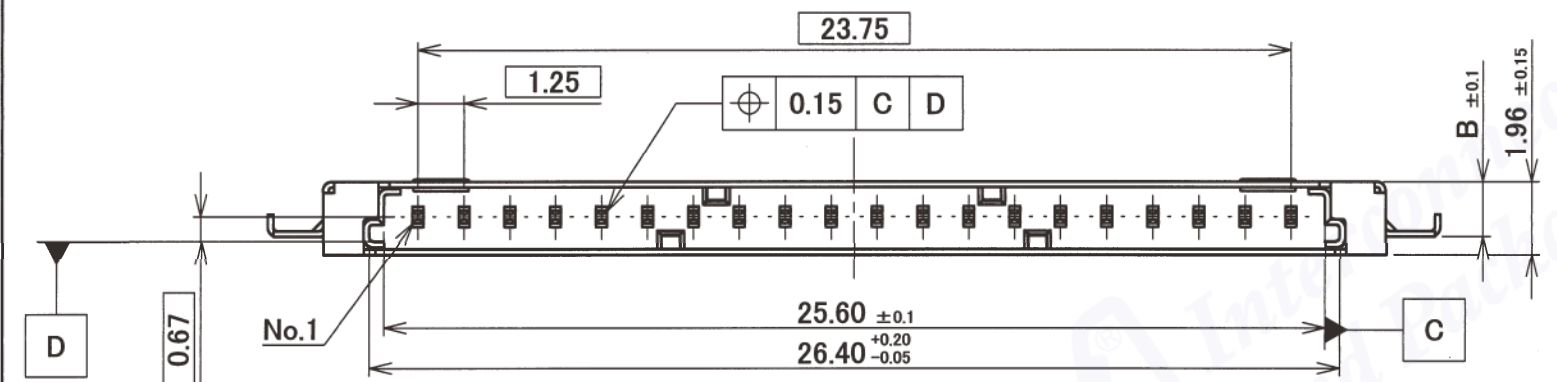
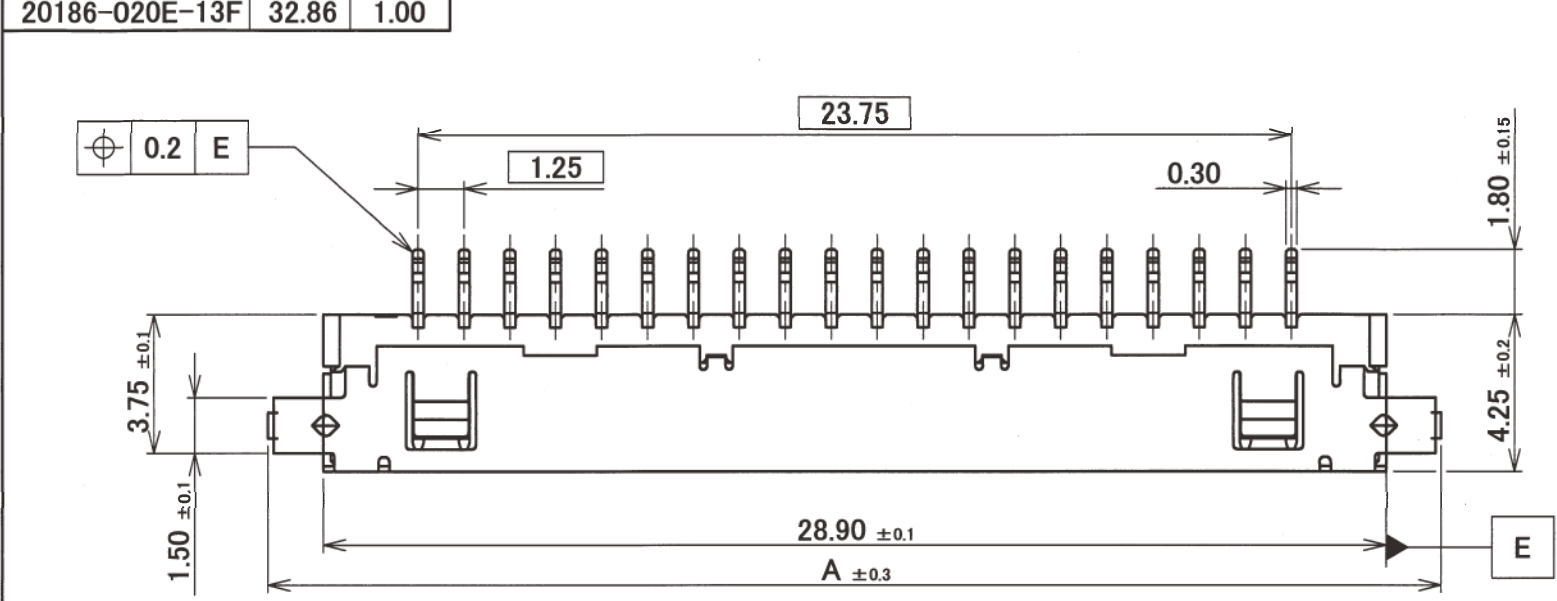


Recommended P/N 20186-020E-11F

PART NO.	A	B
20186-020E-11F	31.90	1.48
20186-020E-12F	32.26	1.31
20186-020E-13F	32.86	1.00

PART No.	CONTACT FINISH	SHELL FINISH	REMARKS
20186-020E-1*F	Au OVER Ni	Sn OVER Ni	LEAD FREE



- NOTES.
- MATERIAL & FINISH
INSULATOR : HEAT RESISTING PLASTICS (GLASS REINFORCED)
UL94V-0, BEIGE
CONTACT : COPPER ALLOY t=0.30
SHELL : COPPER ALLOY t=0.15
 - COPLANARITY : 0.10MAX.
 - Product specification No. : PRS-1094
 - RoHS Compliant

GENERAL TOLERANCE	
6 MAX.	±0.2
6 OVER MAX. 30	±0.3
30 OVER MAX. 120	±0.5
ANGLE	±2°

I-PEX DAI-ICHI SEIKO CO.,LTD.
I-PEX Business Company

TITLE FtwoLOCK CONN. SINGLE PLUG 20P

SERIES No.	R10	CUSTOMER COPY	PROJECTION	SCALE	UNIT	DWG. No.	SHEET	REV.
				5:1	mm	20186	1/1	13

Confidential III C

QKE-DFE06-02 REV.7