

Recommended P/N 20247-916E-01F

PART No.	POS	MATING PLUG P/N	A	B	C	D	E	F
20247-*16E-***	16	20246-016T-***	11.5	9.6	7.5	13.5	10.0	11.1
20247-*19E-***	19	20246-410T-***	13.0	11.1	9.0	15.0	11.5	12.6

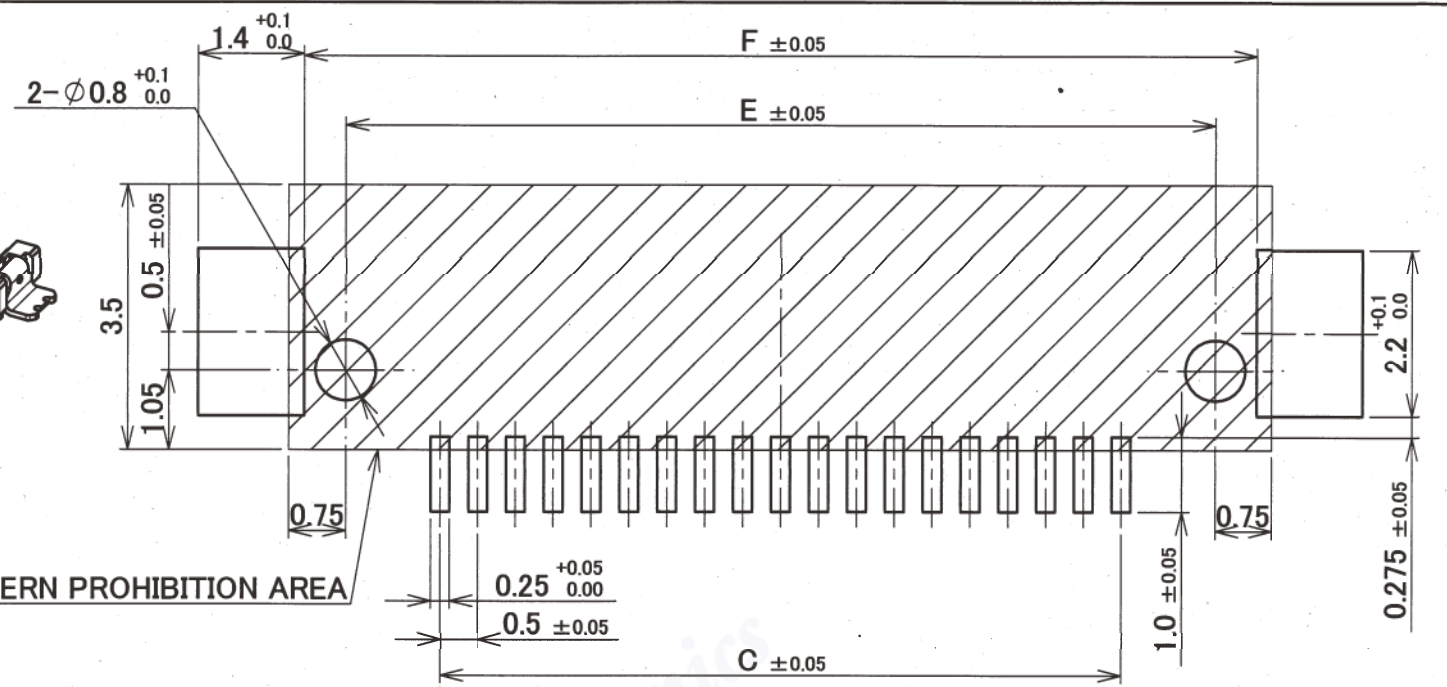
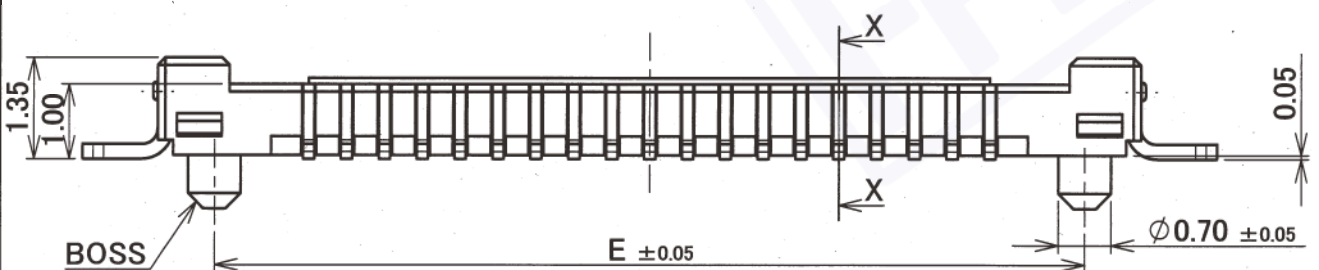
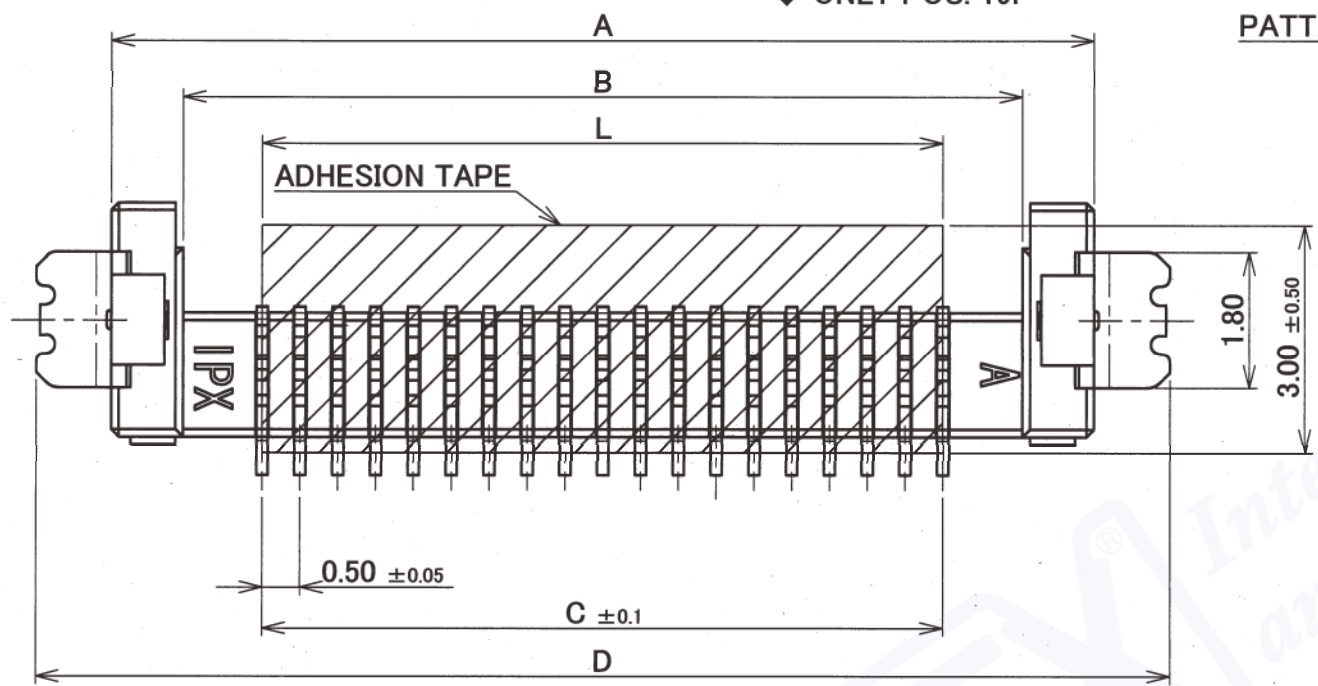
THE COMPOSITION OF PART No.
PART No. 20247-***E-***

*	L	TAPE
0	7.5	WITH
1	-	WITHOUT
9	9.0	WITH

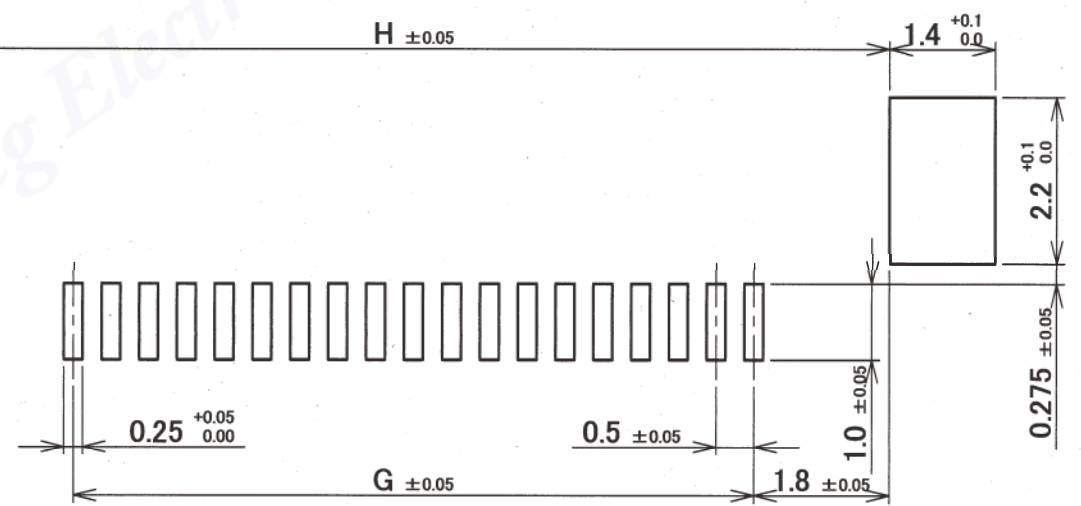
##	Pos.
16	16
19	19

***	HSG COLOR	BOSS
F	BLACK	WITH
01F	BLACK	WITHOUT
10F	NATURAL	WITH
11F	NATURAL	WITHOUT

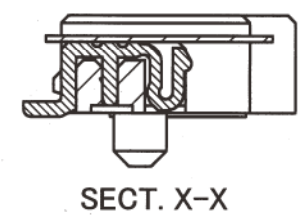
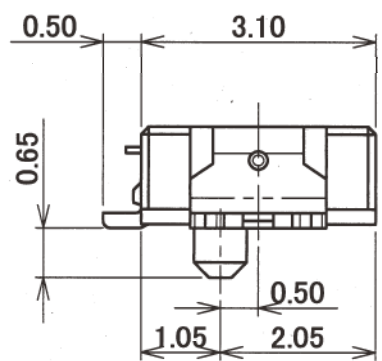
◆ ONLY POS. 19P



RECOMMENDED FOOTPRINT PATTERN (MOUNT SIDE)



RECOMMENDED METAL MASK
RECOMMENDED THICKNESS OF METAL MASK : t=0.1mm



PART NO.	POS.	G	H
20247-*16E-***	16	7.5	11.1
20247-*19E-***	19	9.0	12.6

- NOTES
- MATERIAL & FINISH
 - HOUSING : LCP,UL94V-0
 - CONTACT : COPPER ALLOY, Sn REFLOW
 - HOLD DOWN : COPPER ALLOY, Sn REFLOW
 - ADHESIVE TAPE : PI
 - TO BE MATED P/N 20246
 - COPLANARITY : 0.1MAX.
 - RoHS COMPLIANCE

GENERAL TOLERANCE	
6 MAX.	±0.2
6 OVER MAX. 30	±0.3
30 OVER MAX. 120	±0.5
ANGLE	±2°

I-PEX DAI-ICHI SEIKO CO.,LTD.
I-PEX Business Company

TITLE
CABLIII RECEP.

CUSTOMER COPY	PROJECTION	SCALE	UNIT	DWG. No.	SHEET	REV.
COPY	①	10:1	mm	20247	1/1	8

Confidential III C