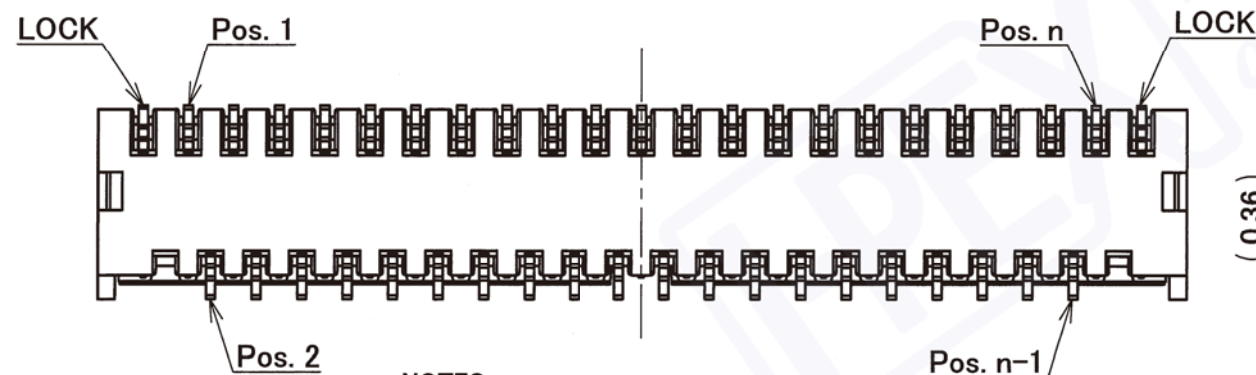
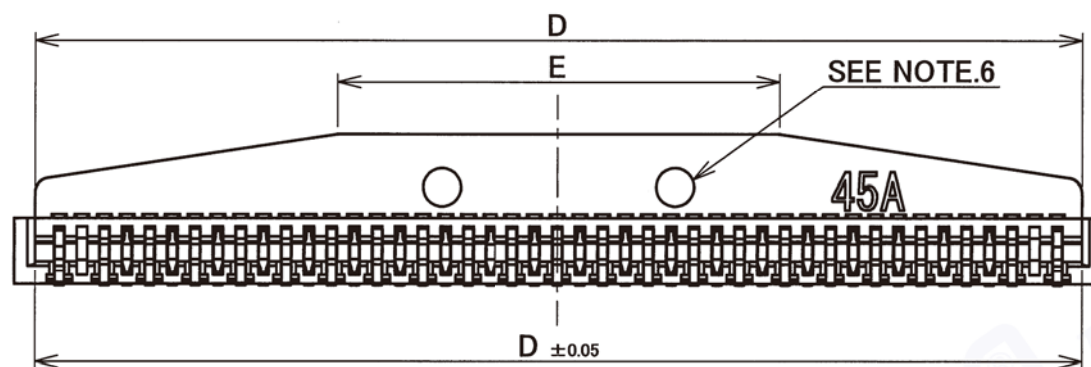
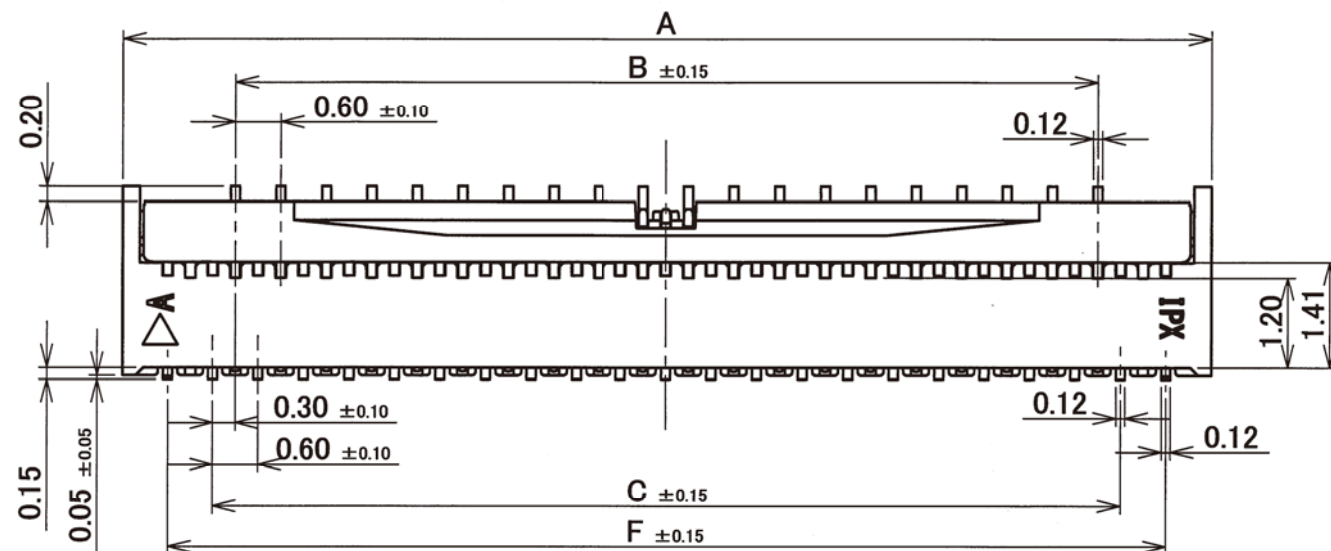


PART NO.
20584-0**E-01

ODD NUMBER POS.

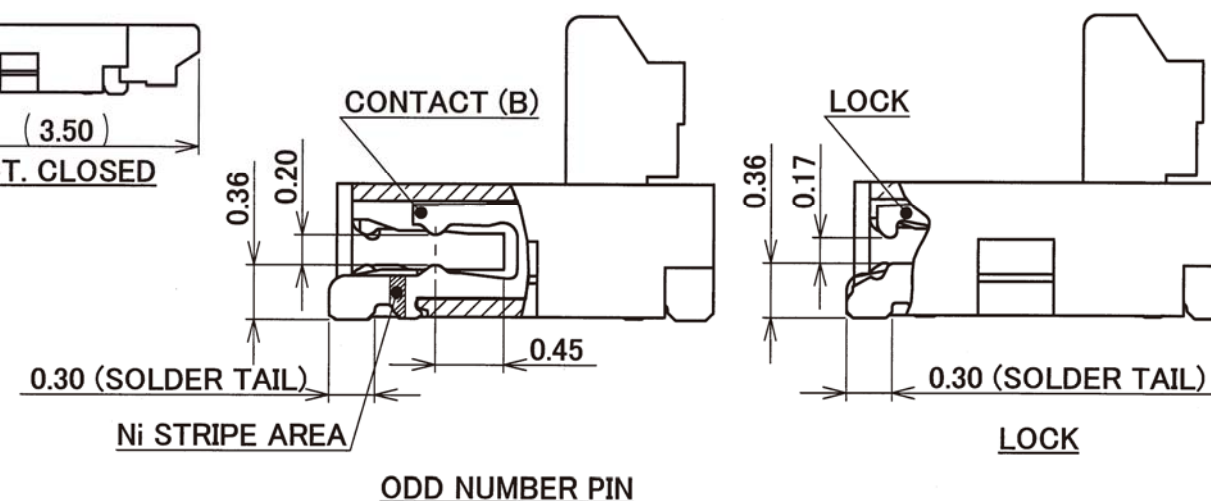
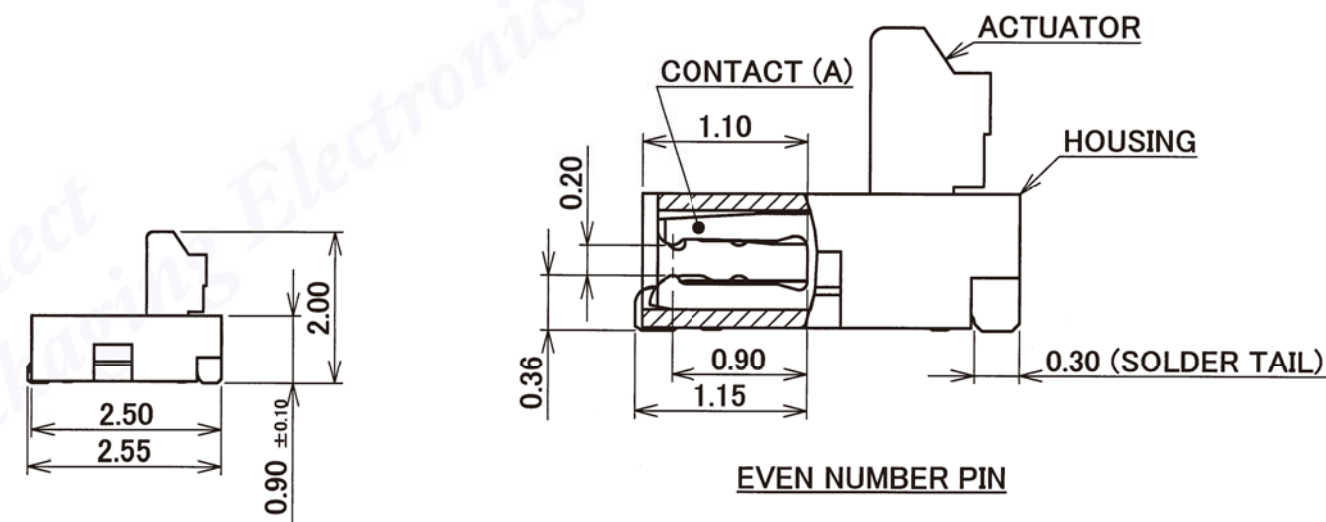


- NOTES**
- MATERIALS**
HOUSING : HEAT RESISTING PLASTICS (GF REINFORCED)
NATURAL COLOR (BEIGE)
ACTUATOR : HEAT RESISTING PLASTICS (GF REINFORCED)
NATURAL COLOR (BEIGE)
CONTACT (A) : COPPER ALLOY Au PLATING
CONTACT (B) : COPPER ALLOY Au PLATING WITH Ni STRIPE
LOCK : COPPER ALLOY Au PLATING
 - COPLANARITY : 0.10 MAX.
 - PRODUCTION SPECIFICATION No : PRS-1789
INSTRUCTION MANUAL NO. HIM-12007
 - RoHS COMPLIANT : THIS PRODUCT IS COMPLIANT WITH RoHS DIRECTIVE.
 - HALOGEN FREE : THIS PRODUCT IS CONFORMED TO IEC 61249-2-21.
 - This dent shape is purposed for good injection quality.
This dent shape will not affect connector function.
Dent shape shown on drawing is just for reference.
Dent shape and quantity might change from different pin count and different tooling.
 - CONTACT POINT : TOP AND BOTTOM CONTACT

GENERAL TOLERANCE	
6 MAX.	±0.2
6 OVER MAX. 30	±0.3
30 OVER MAX. 120	±0.5
ANGLE	±2°

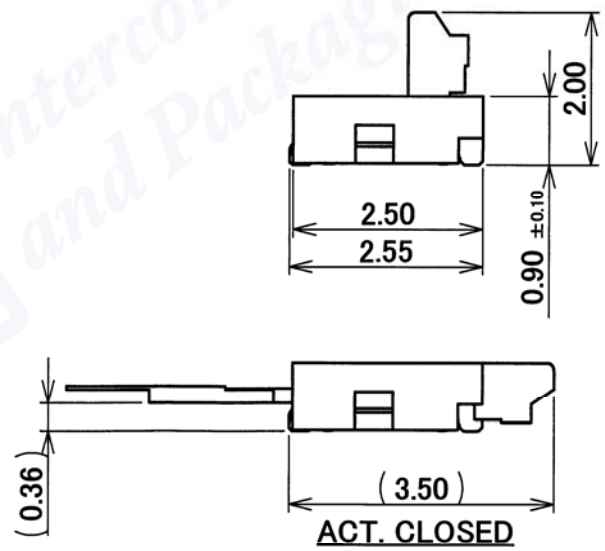
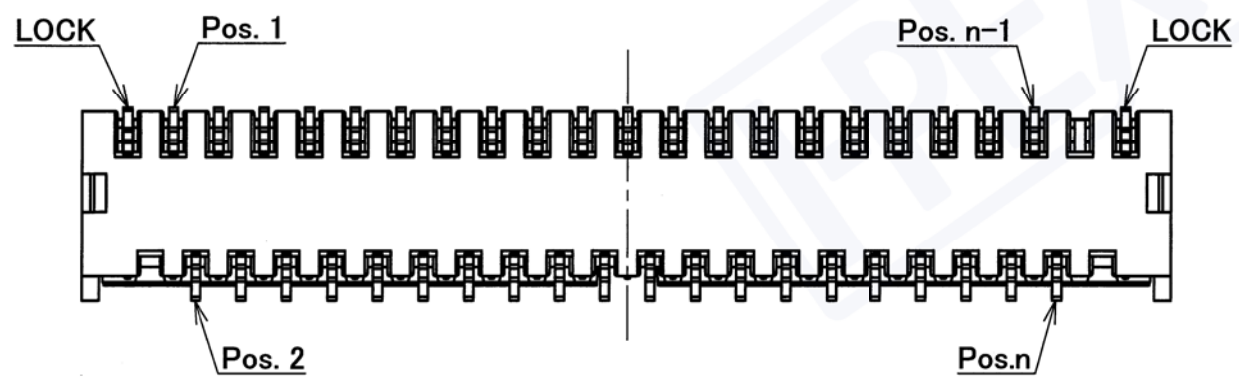
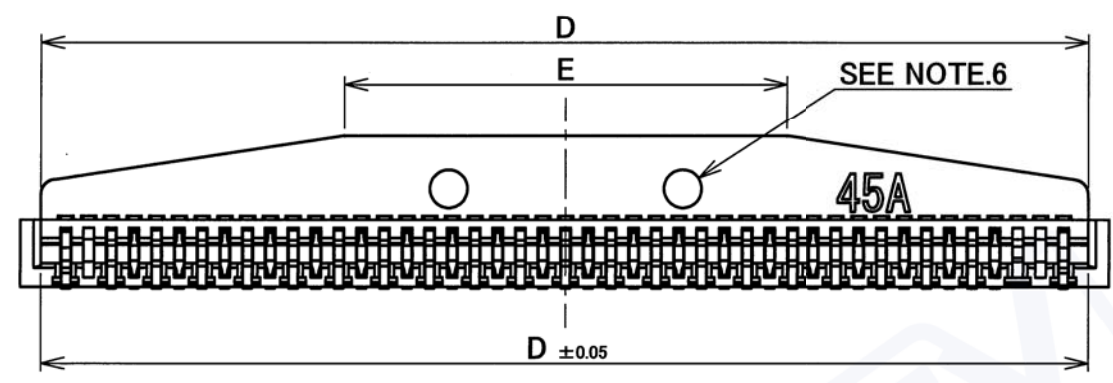
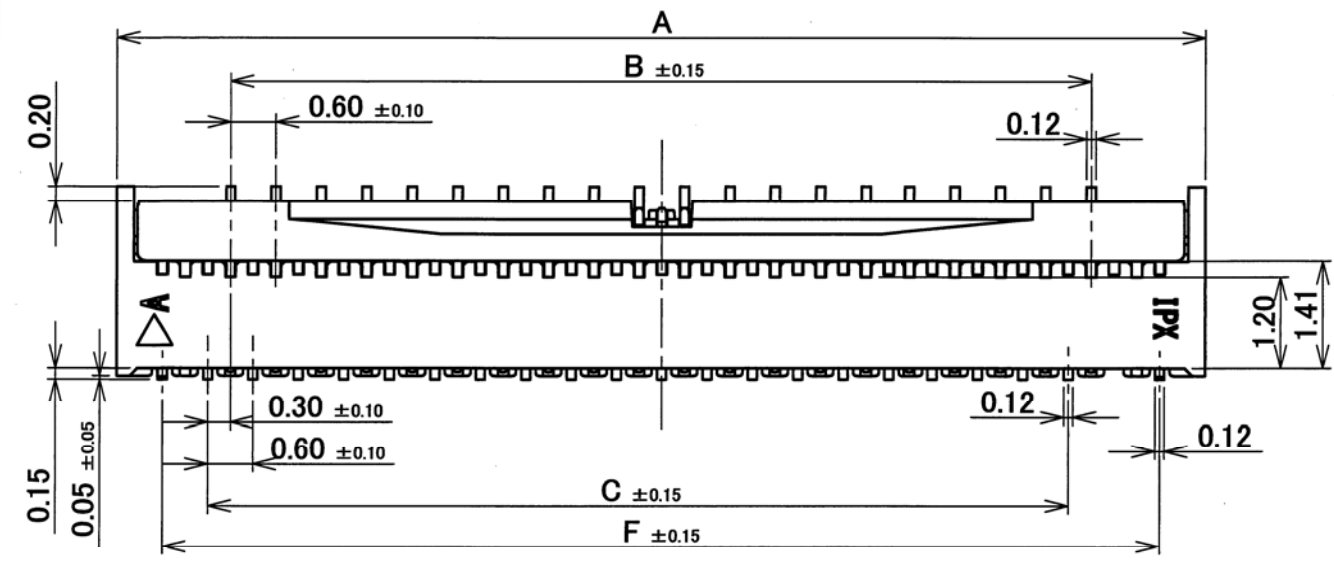
PART No.	Pos.	A	B	C	D	E	F
20584-029E-01	29P	10.80	7.80	8.40	10.25	6.25	9.60
20584-031E-01	31P	11.40	8.40	9.00	10.85	6.85	10.20
20584-035E-01	35P	12.60	9.60	10.20	12.05	8.05	11.40
20584-037E-01	37P	13.20	10.20	10.80	12.65	4.65	12.00
◆ 20584-039E-01	39P	13.80	10.80	11.40	13.25	5.25	12.60
20584-041E-01	41P	14.40	11.40	12.00	13.85	5.85	13.20
20584-045E-01	45P	15.60	12.60	13.20	15.05	7.05	14.40
20584-047E-01	47P	16.20	13.20	13.80	15.65	7.65	15.00
20584-051E-01	51P	17.40	14.40	15.00	16.85	8.85	16.20
20584-053E-01	53P	18.00	15.00	15.60	17.45	9.45	16.80
20584-057E-01	57P	19.20	16.20	16.80	18.65	10.65	18.00
20584-061E-01	61P	20.40	17.40	18.00	19.85	11.85	19.20
◆ 20584-063E-01	63P	21.00	18.00	18.60	20.45	8.45	19.80
20584-071E-01	71P	23.40	20.40	21.00	22.85	10.85	22.20

◆ MARK MEANS NOT AVAILABLE.



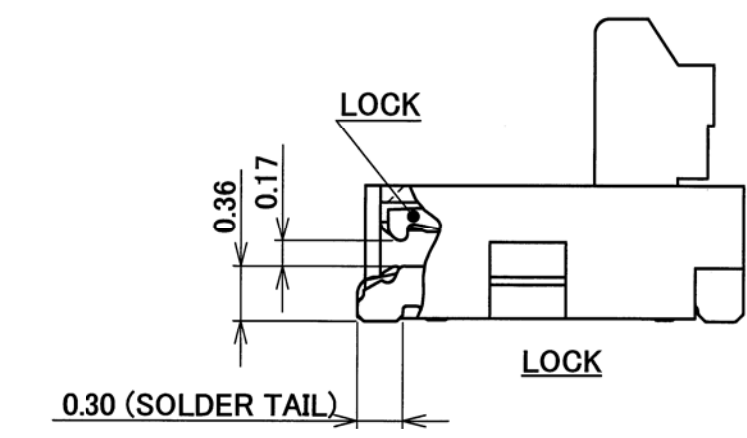
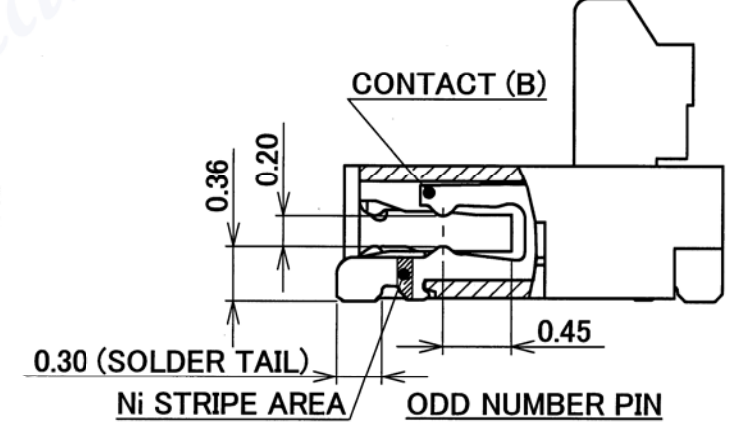
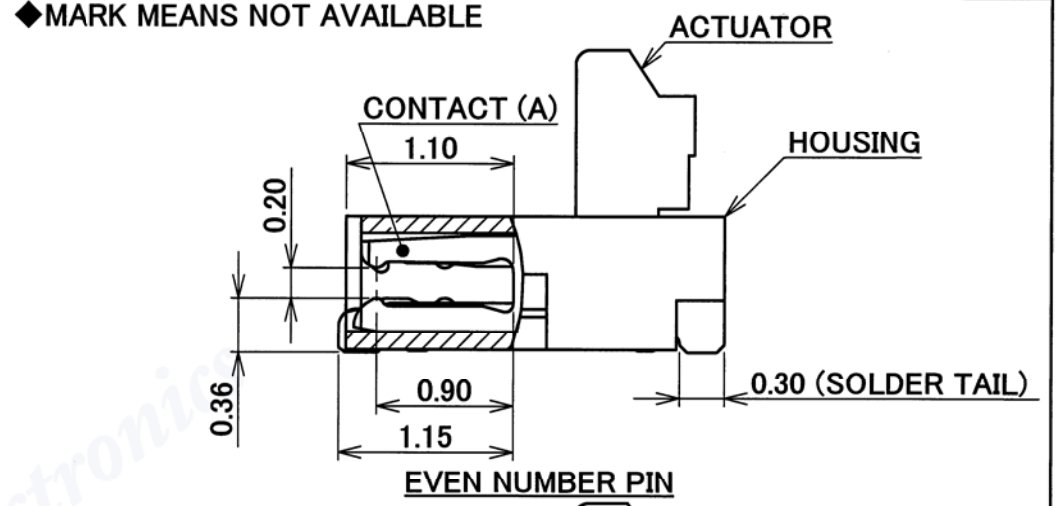
PART NO.
20584-0**E-01

EVEN NUMBER POS.



PART No.	Pos.	A	B	C	D	E	F
20584-030E-01	30P	11.40	8.40	8.40	10.85	6.85	10.20
◆20584-034E-01	34P	12.60	9.60	9.60	12.05	8.05	11.40
◆20584-038E-01	38P	13.80	10.80	10.80	13.25	5.25	12.60
20584-040E-01	40P	14.40	11.40	11.40	13.85	5.85	13.20
20584-050E-01	50P	17.40	14.40	14.40	16.85	8.85	16.20
◆20584-056E-01	56P	19.20	16.20	16.20	18.65	10.65	18.00

◆MARK MEANS NOT AVAILABLE



GENERAL TOLERANCE	
6 MAX.	±0.2
6 OVER MAX. 30	±0.3
30 OVER MAX. 120	±0.5
ANGLE	±2°

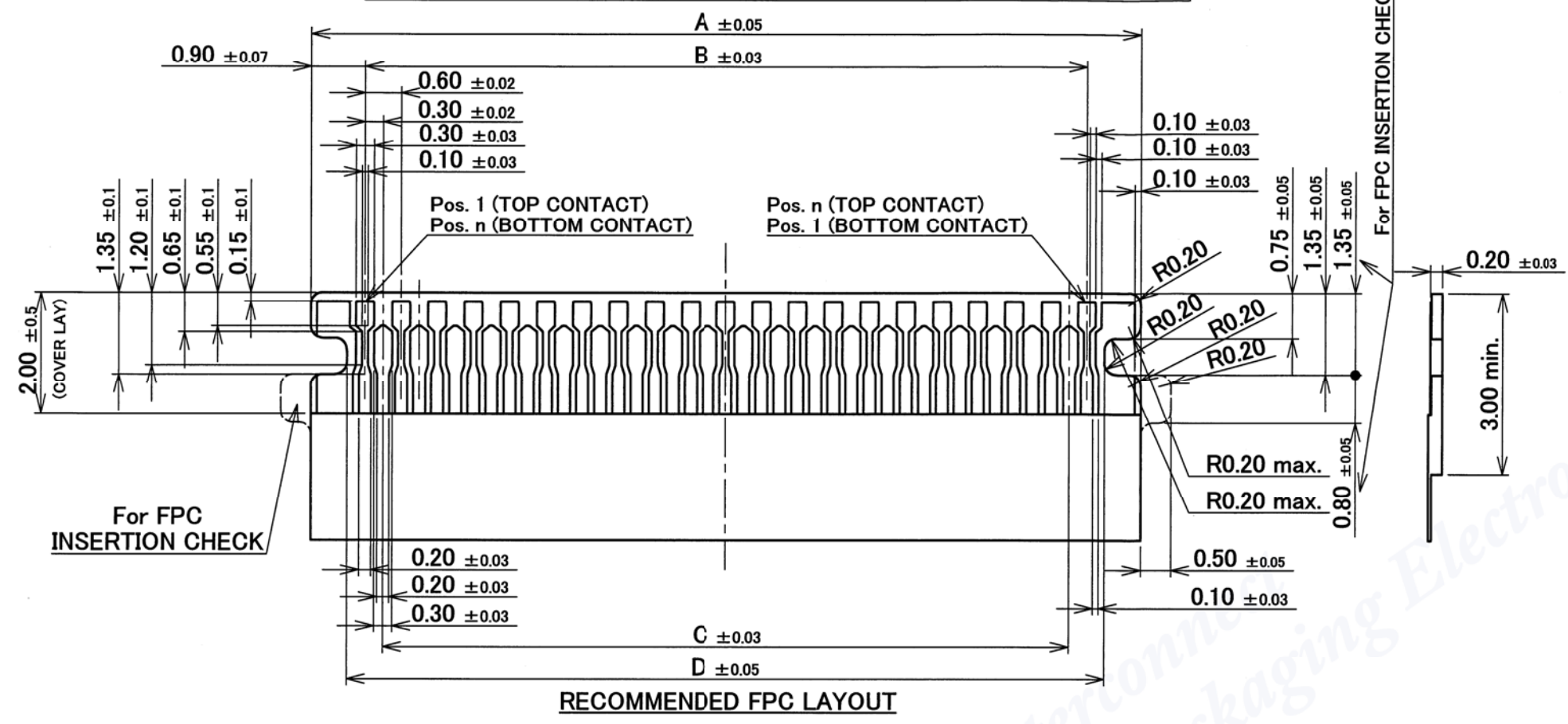
I-PEX DAI-ICHI SEIKO CO.,LTD.
I-PEX Business Company

TITLE
MINIFLEX3-BFN
LONG ACTUATOR LK TYPE

CUSTOMER COPY	PROJECTION	SCALE 10:1	UNIT mm	DWG. No. 20584	SHEET 2/4	REV. 10
---------------	------------	------------	---------	----------------	-----------	---------

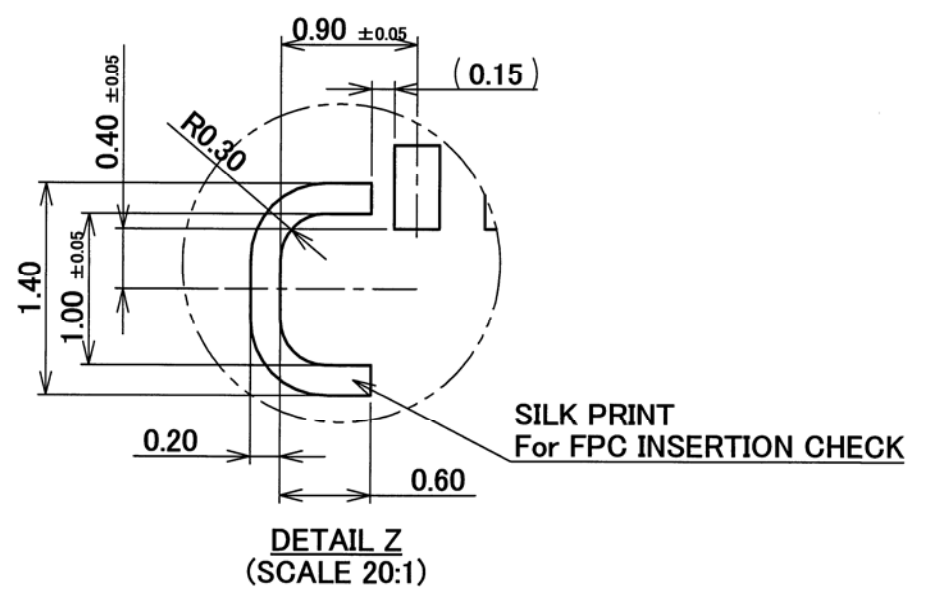
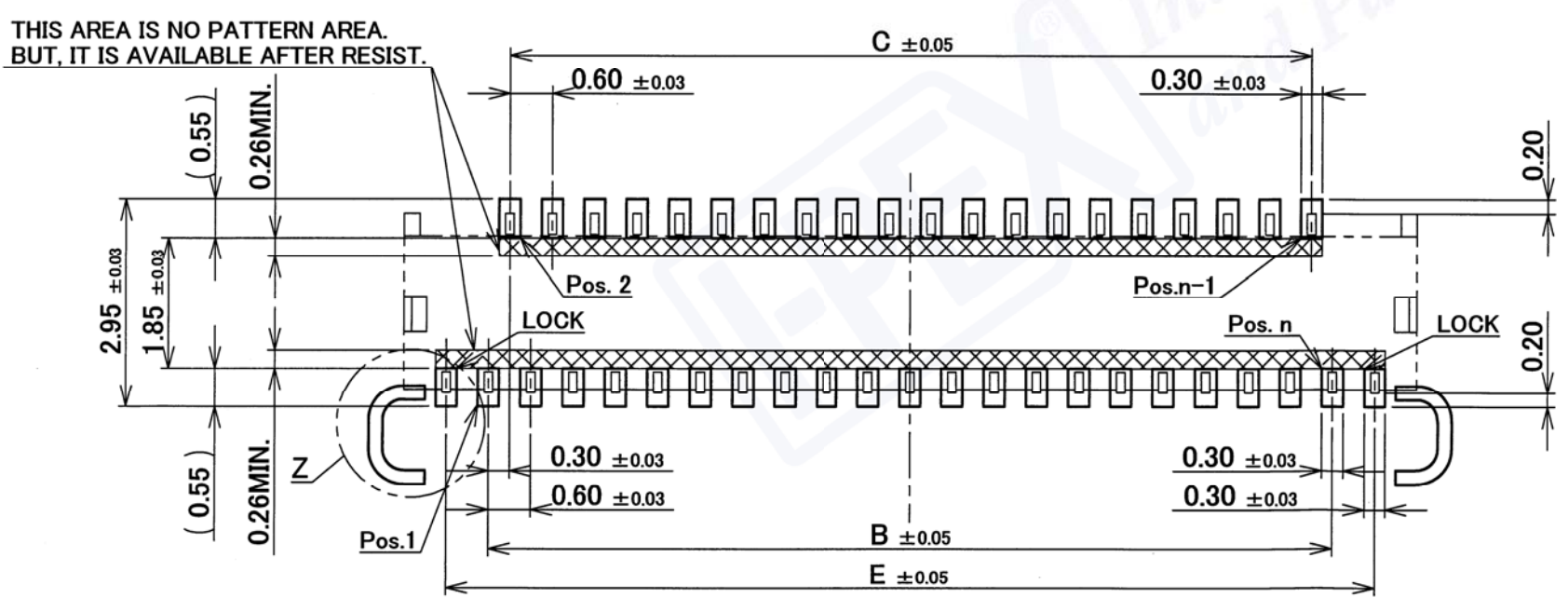
FOR
20584-0**E-01

FOR ODD NUMBER POS.



FOR	Pos.	A	B	C	D	E
20584-029E-01	29P	10.20	8.40	7.80	9.00	9.60
20584-031E-01	31P	10.80	9.00	8.40	9.60	10.20
20584-035E-01	35P	12.00	10.20	9.60	10.80	11.40
20584-037E-01	37P	12.60	10.80	10.20	11.40	12.00
20584-039E-01	39P	13.20	11.40	10.80	12.00	12.60
20584-041E-01	41P	13.80	12.00	11.40	12.60	13.20
20584-045E-01	45P	15.00	13.20	12.60	13.80	14.40
20584-047E-01	47P	15.60	13.80	13.20	14.40	15.00
20584-051E-01	51P	16.80	15.00	14.40	15.60	16.20
20584-053E-01	53P	17.40	15.60	15.00	16.20	16.80
20584-057E-01	57P	18.60	16.80	16.20	17.40	18.00
20584-061E-01	61P	19.80	18.00	17.40	18.60	19.20
20584-063E-01	63P	20.40	18.60	18.00	19.20	19.80
20584-071E-01	71P	22.80	21.00	20.40	21.60	22.20

- NOTES**
- MATERIAL**
 COVER FILM : PI
 CONDUCTOR : COPPER(RARE)
 BASE FILM : PI
 STIFFENER : PI
 ADHESIVE : THERMOSETTING ADHESIVE
 - FINISH**
 Au OVER Ni UNDER PLATING.



GENERAL TOLERANCE	
6 MAX.	± 0.2
6 OVER MAX. 30	± 0.3
30 OVER MAX. 120	± 0.5
ANGLE	$\pm 2^\circ$

I-PEX DAI-ICHI SEIKO CO.,LTD.
 I-PEX Business Company

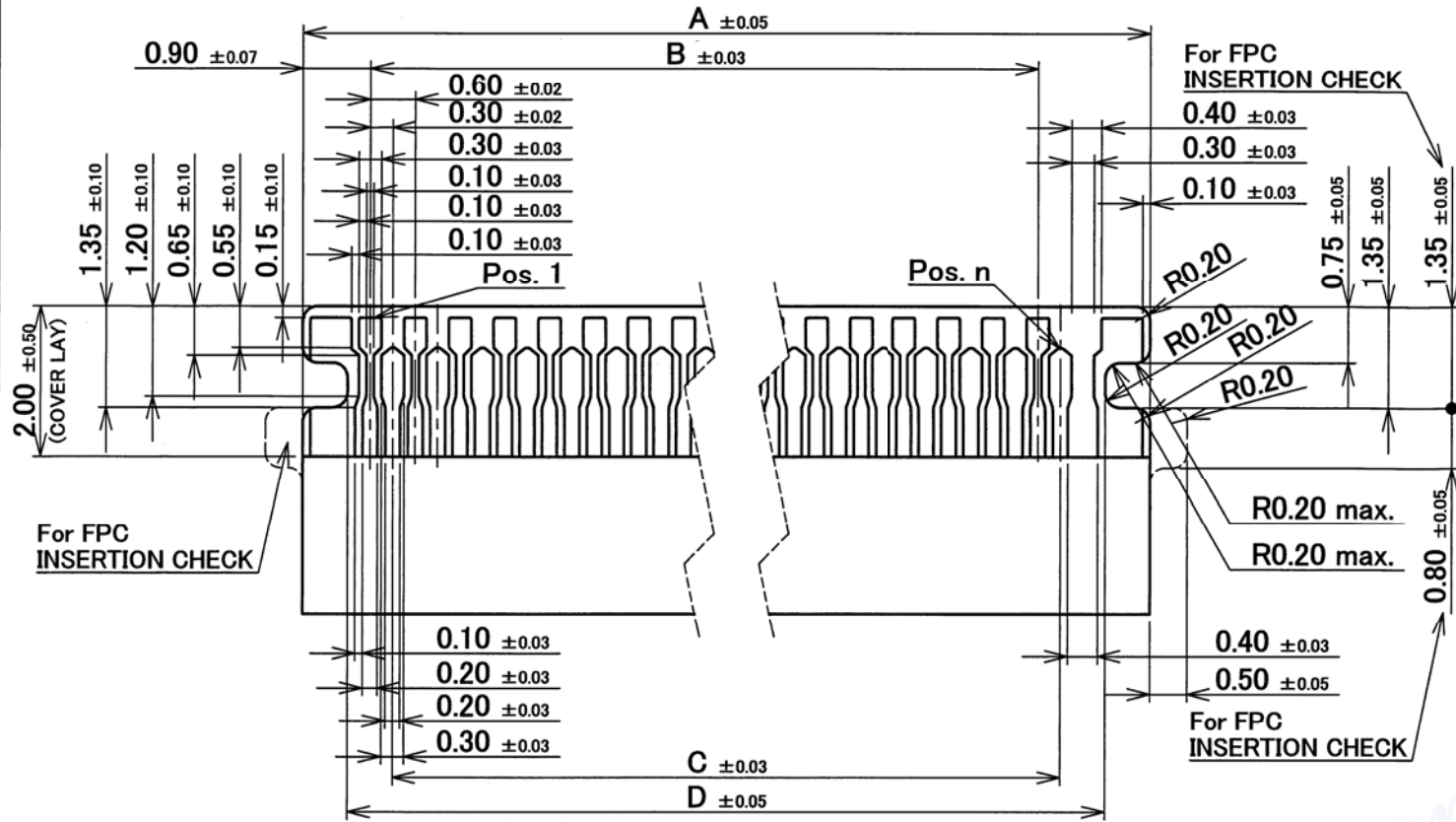
TITLE
MINIFLEX3-BFN
LONG ACTUATOR LK TYPE

CUSTOMER COPY	PROJECTION	SCALE	UNIT	DWG. No.	SHEET	REV.
		10:1	mm	20584		

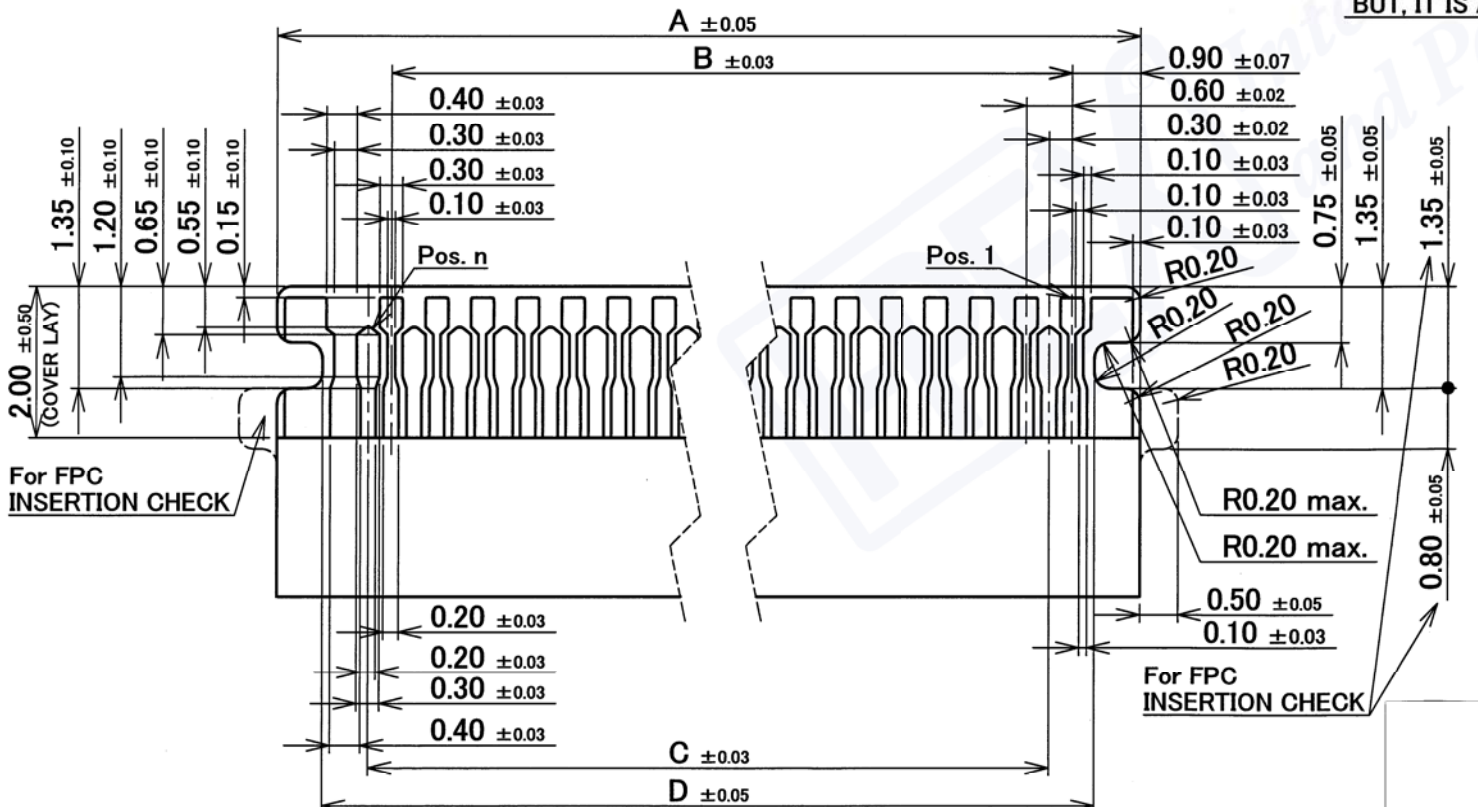
FOR
20584-0**E-01

FOR EVEN NUMBER POS.

FOR	Pos.	A	B	C	D	E
20584-030E-01	30P	10.80	8.40	8.40	9.60	10.20
20584-034E-01	34P	12.00	9.60	9.60	10.80	11.40
20584-038E-01	38P	13.20	10.80	10.80	12.00	12.60
20584-040E-01	40P	13.80	11.40	11.40	12.60	13.20
20584-050E-01	50P	16.80	14.40	14.40	15.60	16.20
20584-056E-01	56P	18.60	16.20	16.20	17.40	18.00



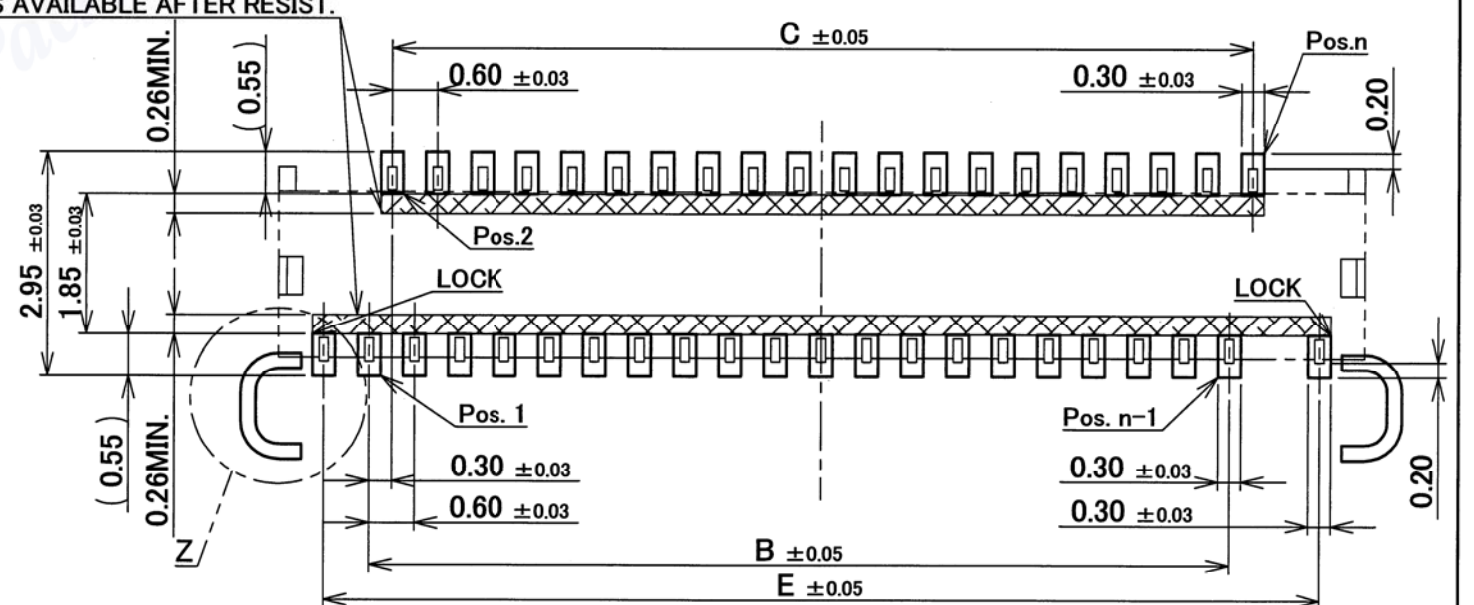
RECOMMENDED FPC LAYOUT (FOR TOP CONTACT)



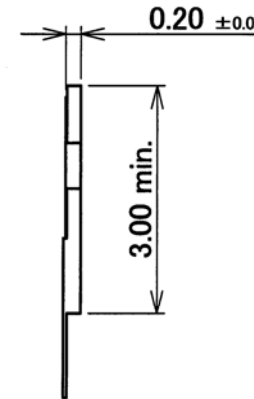
RECOMMENDED FPC LAYOUT (FOR BOTTOM CONTACT)

GENERAL TOLERANCE	
6 MAX.	±0.2
6 OVER MAX. 30	±0.3
30 OVER MAX. 120	±0.5
ANGLE	±2°

THIS AREA IS NO PATTERN AREA.
BUT, IT IS AVAILABLE AFTER RESIST.



RECOMMENDED PCB LAYOUT & METAL MASK LAYOUT
METAL MASK THICKNESS : t=0.12mm



DETAIL Z
(SCALE 20:1)

- NOTES
- MATERIAL
COVER FILM : PI
CONDUCTOR : COPPER(RARE)
BASE FILM : PI
STIFFENER : PI
ADHESIVE : THERMOSETTING ADHESIVE
 - FINISH
Au OVER Ni UNDER PLATING.

I-PEX DAI-ICHI SEIKO CO.,LTD.
I-PEX Business Company

TITLE
MINIFLEX3-BFN
LONG ACTUATOR LK TYPE

CUSTOMER COPY	PROJECTION	SCALE	UNIT	DWG. No.	SHEET	REV.
		10:1	mm	20584	4/4	10