

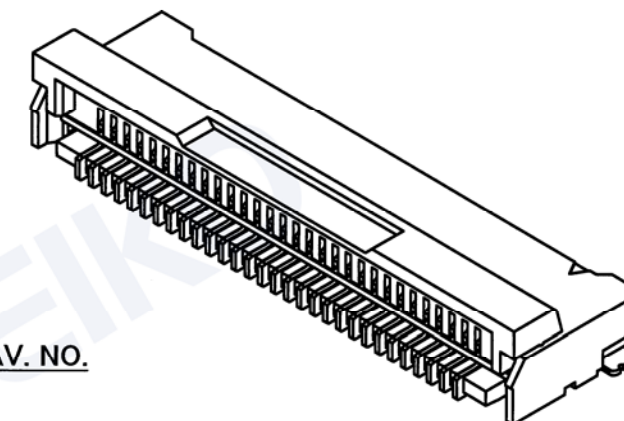
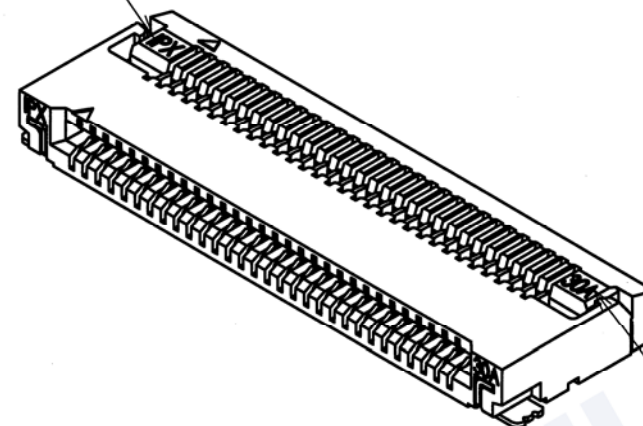
Recommended P/N		20593-0**E-01			
PART NO.	POS.	A	B	C	D
20593-008E-01#	8	7.50	3.50	4.55	8.10
20593-010E-01#	10	8.50	4.50	5.55	9.10
20593-012E-01#	12	9.50	5.50	6.55	10.10
20593-014E-01#	14	10.50	6.50	7.55	11.10
20593-018E-01#	18	12.50	8.50	9.55	13.10
20593-020E-01#	20	13.50	9.50	10.55	14.10
20593-022E-01#	22	14.50	10.50	11.55	15.10
20593-024E-01#	24	15.50	11.50	12.55	16.10
20593-030E-01#	30	18.50	14.50	15.55	19.10
20593-034E-01#	34	20.50	16.50	17.55	21.10
20593-036E-01#	36	21.50	17.50	18.55	22.10
20593-038E-01#	38	22.50	18.50	19.55	23.10
20593-040E-01#	40	23.50	19.50	20.55	24.10
20593-045E-01#	45	26.00	22.00	23.05	26.60
20593-050E-01#	50	28.50	24.50	25.55	29.10
20593-060E-01#	60	33.50	29.50	30.55	34.10

P/N : 20593-0\*\*E- 01 M

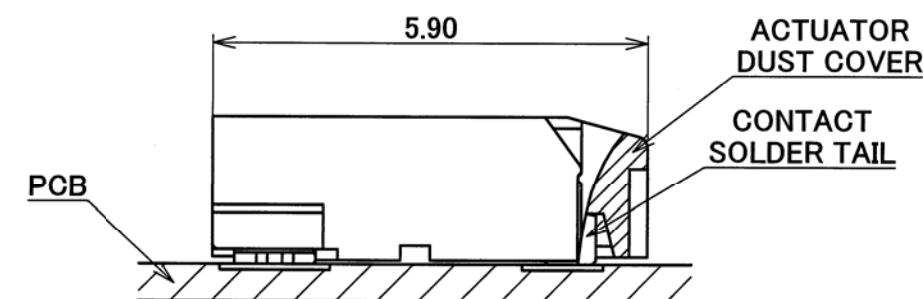
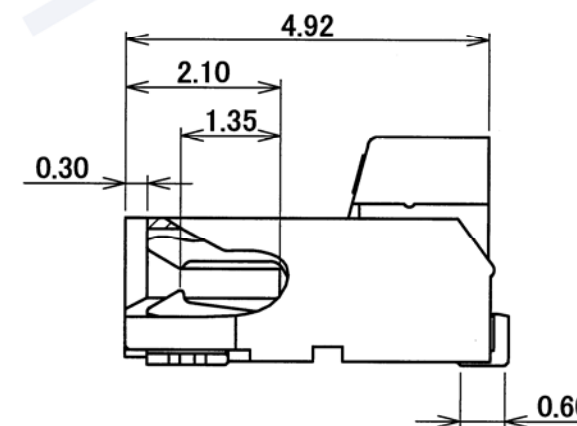
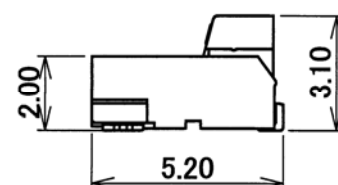
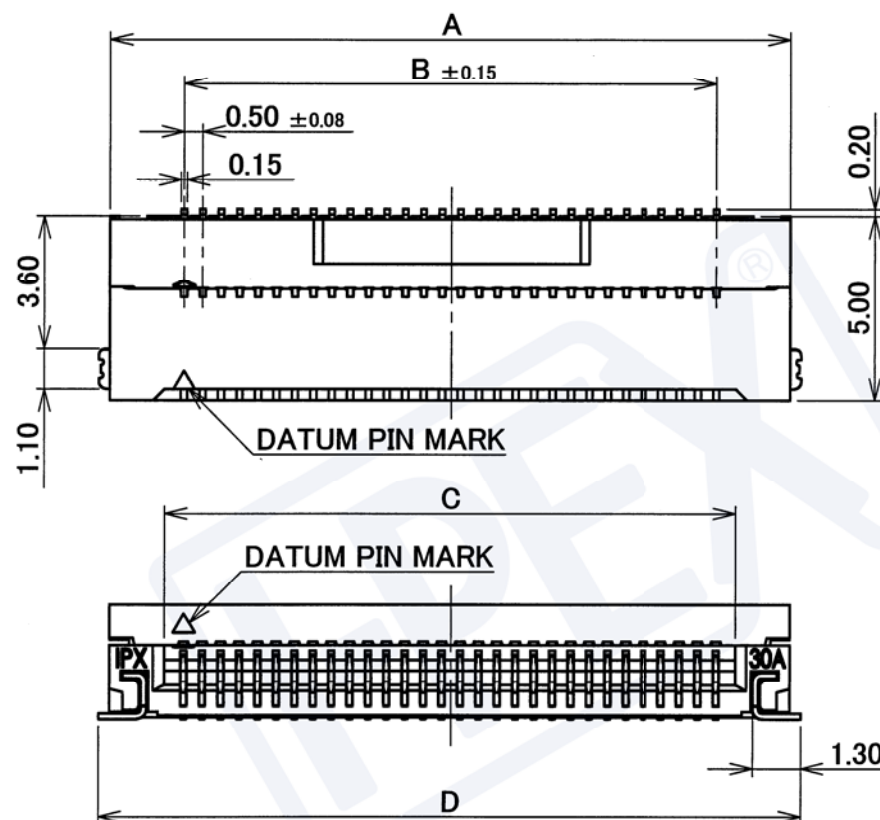
WITHOUT : 2,000pcs/REEL  
WITH : 500pcs/REEL

Pos.

LOGO MARK



POS. & CAV. NO.



ACTUATOR CLOSED STATE

NOTES

- MATERIAL AND FINISH  
HOUSING : HEAT RESISTING PLASTICS(GLASS REINFORCED), UL94V-0, BEIGE  
ACTUATOR : HEAT RESISTING PLASTICS(GLASS REINFORCED), UL94V-0, BLACK  
CONTACT : COPPER ALLOY Au PLATING  
HOLDDOWN : COPPER ALLOY Sn PLATING
- COPLANARITY : 0.1MAX.
- PRODUCT SPECIFICATION NO. PRS-1937  
INSTRUCTION MANUAL No. HIM-06004
- RoHS Compliant
- CONTACT POINT : Top and Bottom

CAUTION VISIT OUR WEBSITE FOR LATEST VERSIONS OF INSTRUCTION MANUAL NO. HIM-06004 TO HANDLE THE PRODUCT PROPERLY AND SAFELY. ※DAI-ICHI SEIKO HP (<https://www.i-pex.com/ja/Products/detail/49>)

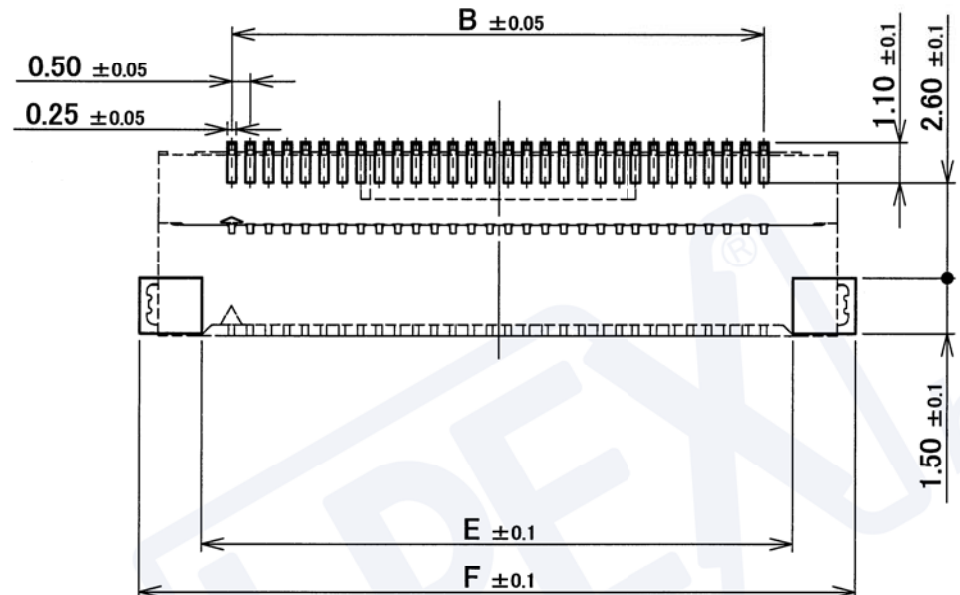
GENERAL TOLERANCE	
6 MAX.	±0.2
6 OVER MAX. 30	±0.3
30 OVER MAX. 120	±0.5
ANGLE	±2°

**I-PEX** DAI-ICHI SEIKO CO.,LTD.  
I-PEX Business Company

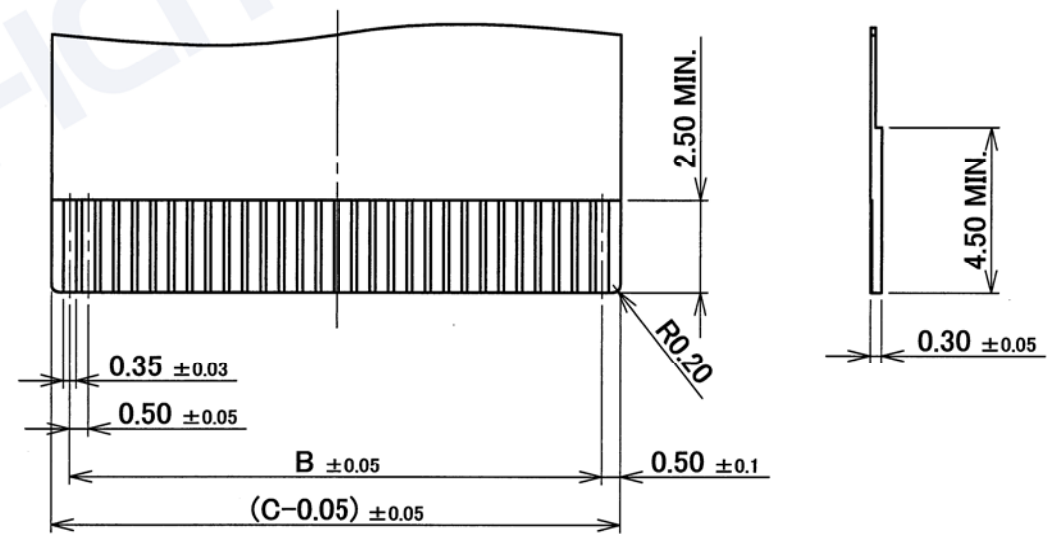
TITLE		MINIFLEX5-BF III	
SERIES No.	R1	CUSTOMER COPY	PROJECTION
SCALE	5:1	UNIT	mm
DWG. No.	20593	SHEET	1/2
REV.	6		

Confidential C

Recommended P/N		20593-0**E-01			
PART No.	POS.	B	C	E	F
20593-008E-01#	8	3.50	4.55	5.10	8.50
20593-010E-01#	10	4.50	5.55	6.10	9.50
20593-012E-01#	12	5.50	6.55	7.10	10.50
20593-014E-01#	14	6.50	7.55	8.10	11.50
20593-018E-01#	18	8.50	9.55	10.10	13.50
20593-020E-01#	20	9.50	10.55	11.10	14.50
20593-022E-01#	22	10.50	11.55	12.10	15.50
20593-024E-01#	24	11.50	12.55	13.10	16.50
20593-030E-01#	30	14.50	15.55	16.10	19.50
20593-034E-01#	34	16.50	17.55	18.10	21.50
20593-036E-01#	36	17.50	18.55	19.10	22.50
20593-038E-01#	38	18.50	19.55	20.10	23.50
20593-040E-01#	40	19.50	20.55	21.10	24.50
20593-045E-01#	45	22.00	23.05	23.60	27.00
20593-050E-01#	50	24.50	25.55	26.10	29.50
20593-060E-01#	60	29.50	30.55	31.10	34.50



**RECOMMENDED PCB LAYOUT  
& METAL MASK LAYOUT**  
METAL MASK THICKNESS : t=0.12mm



**RECOMMENDED FPC/FFC LAYOUT**

GENERAL TOLERANCE	
6 MAX.	±0.2
6 OVER MAX. 30	±0.3
30 OVER MAX. 120	±0.5
ANGLE	±2°

Confidential C

**I-PEX** DAH-CHI SEIKO CO.,LTD.  
I-PEX Business Company

TITLE					
MINIFLEX5-BF III					
SCALE	UNIT	DWG. No.	SHEET	REV.	
5:1	mm	20593	2/2	6	

SERIES No. R1

CUSTOMER COPY

