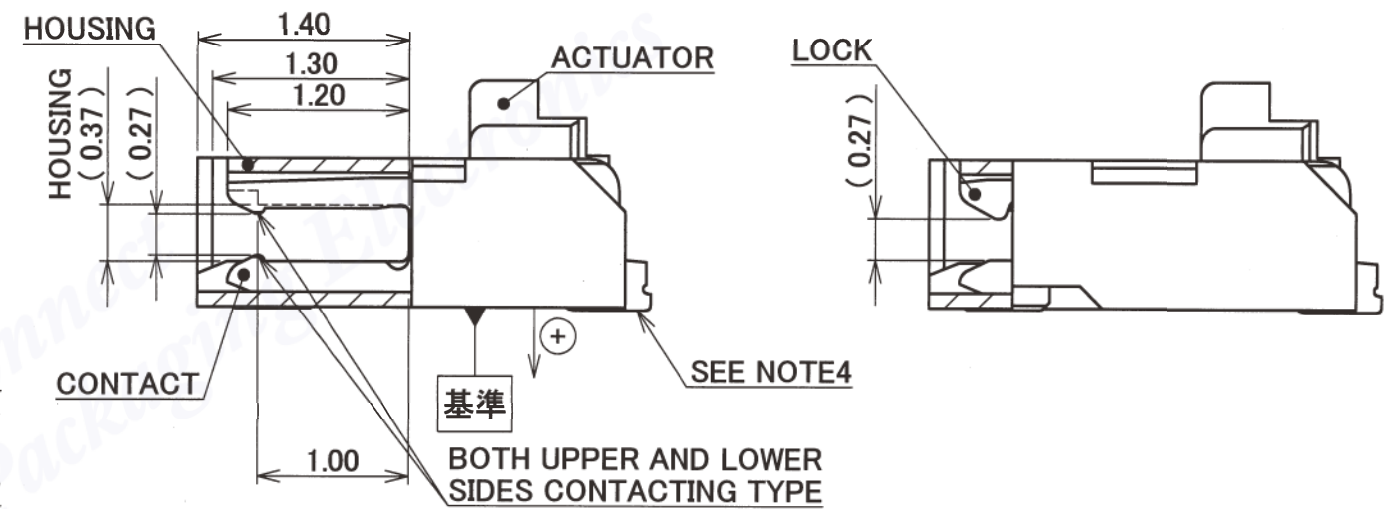
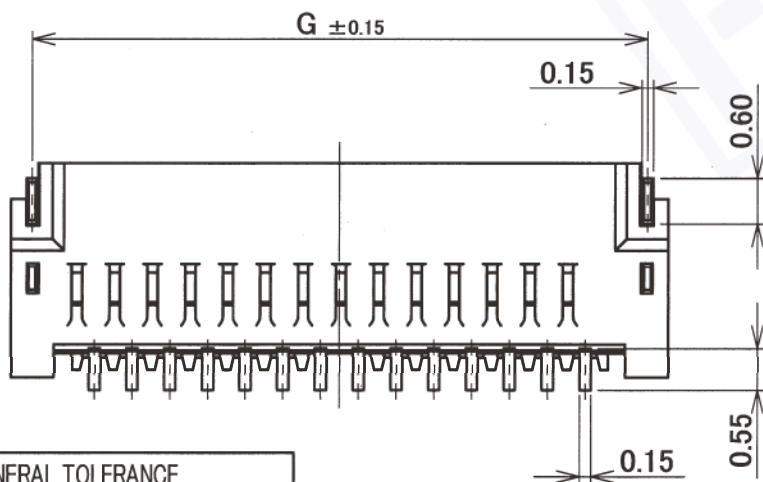
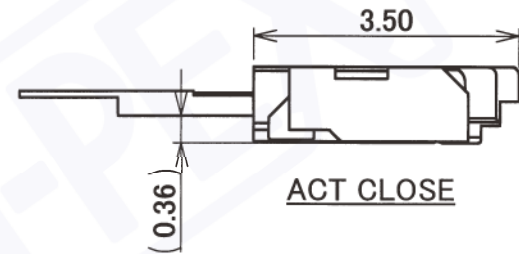
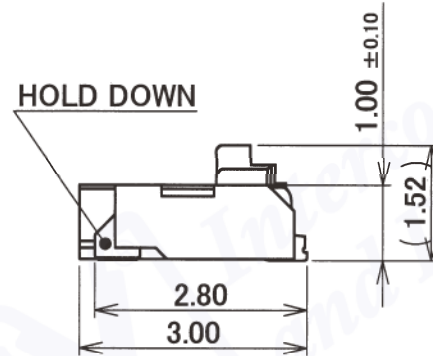
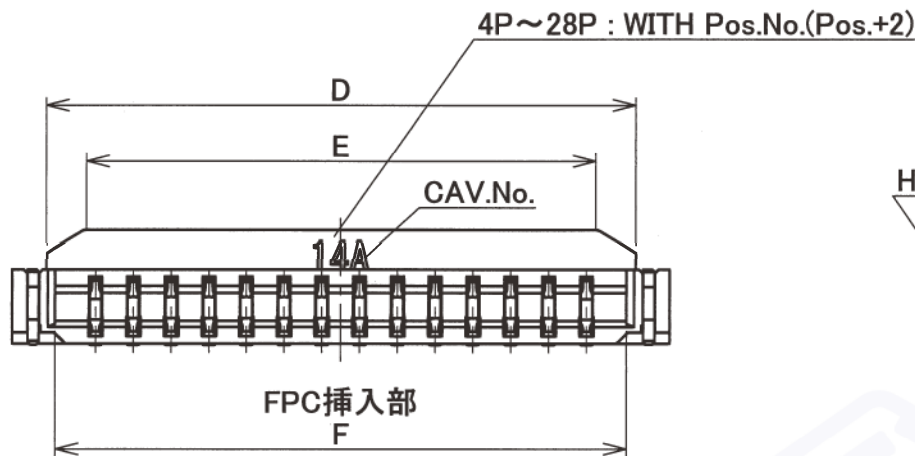
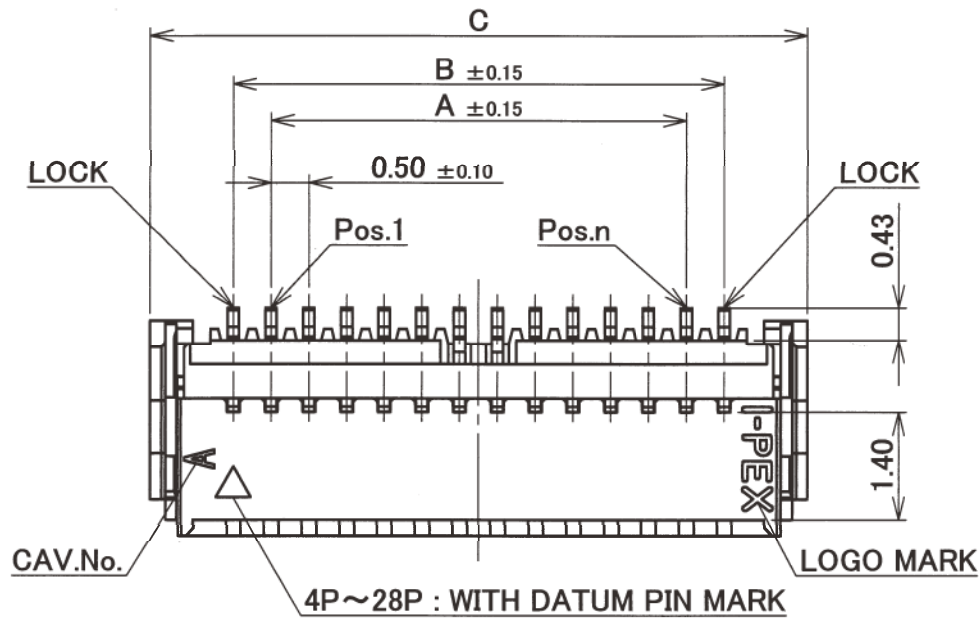


PART No.	POS.	A	B	C	D	E	F	G
20600-004E-01	4	1.50	2.50	4.70	3.80	2.80	3.56	4.15
20600-006E-01	6	2.50	3.50	5.70	4.80	3.80	4.56	5.15
20600-008E-01	8	3.50	4.50	6.70	5.80	4.80	5.56	6.15
20600-010E-01	10	4.50	5.50	7.70	6.80	5.80	6.56	7.15
20600-012E-01	12	5.50	6.50	8.70	7.80	6.80	7.56	8.15
20600-014E-01	14	6.50	7.50	9.70	8.80	2.80	8.56	9.15
20600-016E-01	16	7.50	8.50	10.70	9.80	3.80	9.56	10.15
20600-018E-01	18	8.50	9.50	11.70	10.80	4.80	10.56	11.15
20600-020E-01	20	9.50	10.50	12.70	11.80	5.80	11.56	12.15
20600-022E-01	22	10.50	11.50	13.70	12.80	6.80	12.56	13.15
20600-024E-01	24	11.50	12.50	14.70	13.80	7.80	13.56	14.15
20600-026E-01	26	12.50	13.50	15.70	14.80	8.80	14.56	15.15
20600-028E-01	28	13.50	14.50	16.70	15.80	9.80	15.56	16.15



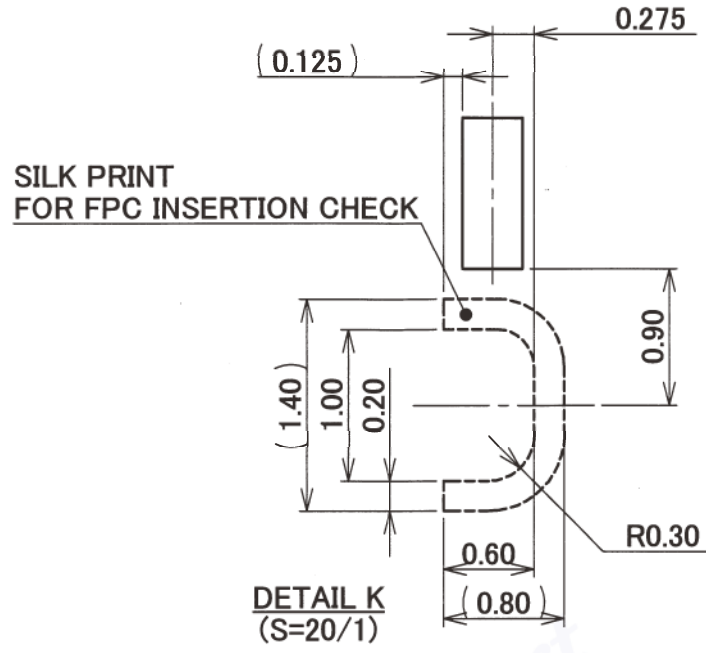
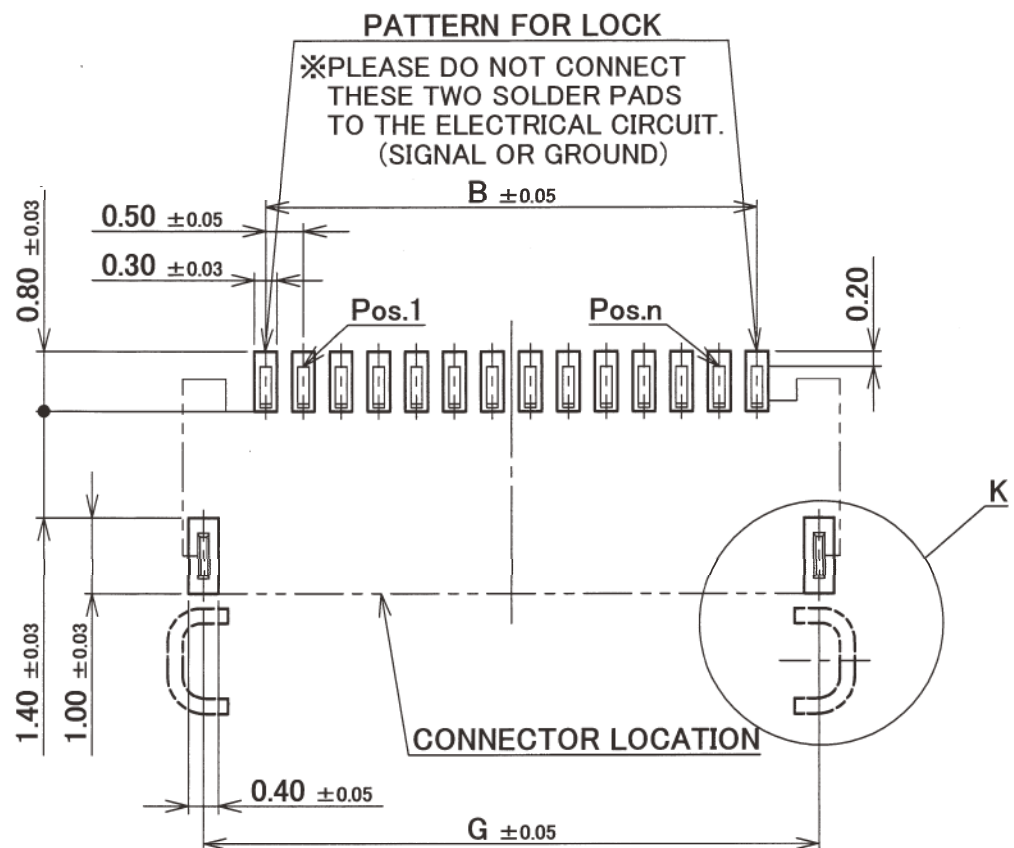
NOTES

- MATERIAL AND FINISH  
 HOUSING : HEAT RESISTING PLASTICS(GLASS REINFORCED), UL94V-0, BEIGE  
 ACTUATOR : HEAT RESISTING PLASTICS(GLASS REINFORCED), UL94V-0, BEIGE  
 CONTACT : COPPER ALLOY Au PLATING  
 LOCK : COPPER ALLOY Au PLATING  
 HOLD DOWN : COPPER ALLOY Sn PLATING
- PRODUCT SPECIFICATION NO. PRS-1841
- INSTRUCTION MANUAL NO. HIM-12019
- CONTACT & LOCK & HOLDDOWN COPLANARITY : 0.08MAX.
- CONTACT & LOCK TAIL IS PROJECTION FROM HOUSING IN THE + DIRECTION.(0~0.06)
- RoHS COMPLIANT

GENERAL TOLERANCE	
6 MAX.	±0.2
6 OVER MAX. 30	±0.3
30 OVER MAX. 120	±0.5
ANGLE	±2°

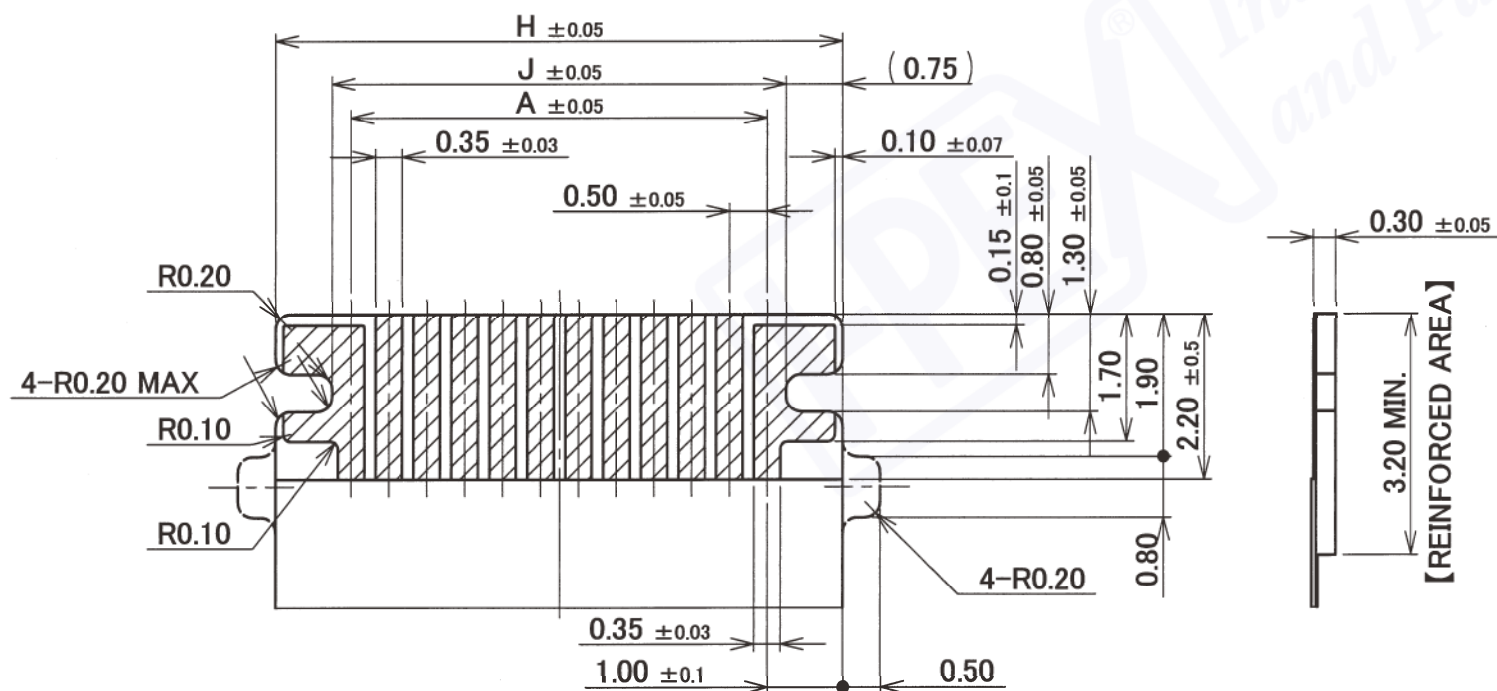
**I-PEX** DAI-ICHI SEIKO CO.,LTD.  
I-PEX Business Company

TITLE		MINIFLEX 5-BFN II LK03	
SERIES No.	R2	CUSTOMER COPY	PROJECTION
SCALE	UNIT	DWG. No.	SHEET
10:1	mm	20600	1/2
REV.	4		



PART No.	POS.	A	B	G	H	J
20600-004E-01	4	1.50	2.50	4.15	3.50	2.00
20600-006E-01	6	2.50	3.50	5.15	4.50	3.00
20600-008E-01	8	3.50	4.50	6.15	5.50	4.00
20600-010E-01	10	4.50	5.50	7.15	6.50	5.00
20600-012E-01	12	5.50	6.50	8.15	7.50	6.00
20600-014E-01	14	6.50	7.50	9.15	8.50	7.00
20600-016E-01	16	7.50	8.50	10.15	9.50	8.00
20600-018E-01	18	8.50	9.50	11.15	10.50	9.00
20600-020E-01	20	9.50	10.50	12.15	11.50	10.00
20600-022E-01	22	10.50	11.50	13.15	12.50	11.00
20600-024E-01	24	11.50	12.50	14.15	13.50	12.00
20600-026E-01	26	12.50	13.50	15.15	14.50	13.00
20600-028E-01	28	13.50	14.50	16.15	15.50	14.00

RECOMMENDED PCB LAYOUT & METAL MASK LAYOUT  
METAL MASK THICKNESS : t=0.12mm



RECOMMENDED FPC LAYOUT

- NOTES
- MATERIAL  
COVER FILM : PI  
CONDUCTOR : COPPER(RARE)  
BASE FILM : PI  
STIFFENER : PI  
ADHESIVE : THERMOSETTING ADHESIVE
  - FINISH  
Au OVER Ni UNDER PLATING.

GENERAL TOLERANCE	
6 MAX.	±0.2
6 OVER MAX. 30	±0.3
30 OVER MAX. 120	±0.5
ANGLE	±2°



TITLE  
MINIFLEX 5-BFN II LK03

SERIES No.	R2	CUSTOMER COPY	PROJECTION	SCALE	UNIT	DWG. No.	SHEET	REV.
				10:1	mm	20600	2/2	4