



3PIN MICROPROCESSOR RESET CIRCUIT

FEATURES

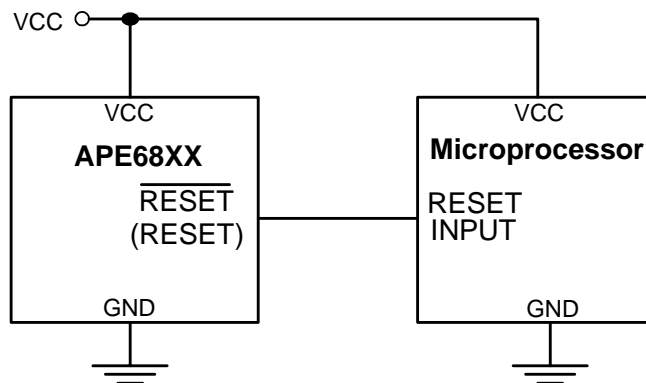
- Precision Monitoring of +2.5, +3V, +3.3V, and +5V Power-Supply Voltages
- Fully Specified Over Temperature
- Available in Three Output Configurations
- Push-Pull $\overline{\text{RESET}}$ Low Output(APE6809/APE6811)
- Push-Pull RESET High Output(APE6810/APE6812)
- 200ms (Typ.)min Power-On Reset Pulse Width
- 25 μ A Supply Current
- Guaranteed Reset Valid to VCC = +1.0V
- Power Supply Transient Immunity
- No External Components
- Available in the 3-Pin Pb-Free SOT-23 and SC-70 Package

DESCRIPTION

The APE6809_6812 are used for microprocessor (μ P) supervisory circuits to monitor the power supplies in μ P and digital systems. They provide excellent circuit reliability and low cost by eliminating external components and adjustments when used with +5V, +3.3V, +3.0V, +2.5V powered circuits.

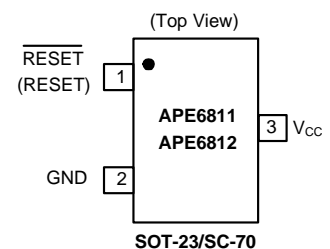
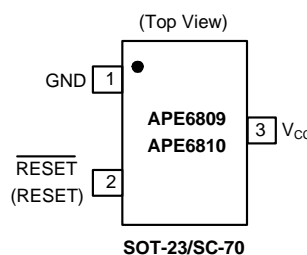
These circuits perform a single function: they assert a reset signal whenever the VCC supply voltage declines below a preset threshold, keeping it asserted for at least 200ms after VCC has risen above the reset threshold. Reset thresholds suitable for operation with a variety of supply voltages are available. The APE6809_6812 have push pull outputs. The APE6809/APE6811 have an active low $\overline{\text{RESET}}$ output, while the APE6810_6812 has an active high RESET output. The reset comparator is designed to ignore fast transients on VCC, and the outputs are guaranteed to be in the correct logic state for VCC down to 1.0V. Low supply current makes the APE6809_6812 ideal for use in portable equipment. The APE6809_6812 is available in a 3-pin SOT-23 and SC-70 package.

TYPICAL APPLICATION



PACKAGE / ORDERING INFORMATION

APE68XX X - X		
Enable	Package	Voltage
09 : Active-Low	U : SC-70	A : 4.63
10 : Active-High	N : SOT-23	B : 4.38
11 : Active-Low		C : 4.00
12 : Active-High		D : 3.08
		E : 2.93
		F : 2.63
		G : 2.25
		H : 2.70
		I : 4.25



ABSOLUTE MAXIMUM RATINGS (at $T_A=25^{\circ}\text{C}$)

VCC PIN Voltage (V_{CC})	GND - 0.3V to GND + 6.5V
RESET, RESET(Push-Pull) PIN Voltage (V_{RESET})	GND - 0.3V to VCC + 0.3V
Input Current, V_{CC} (I_{CC})	20mA
Output Current, RESET, $\overline{\text{RESET}}$ (I_O)	5mA
Power Dissipation(P_D)	(T_J-T_A) / R_{thJA}
Storage Temperature Range(T_{ST})	-60°C To 150°C
Operating Temperature Range(T_{OP})	-40°C To 85°C
Junction Temperature(T_J)	-40°C To 150°C
Thermal Resistance from Junction to case(R_{thJC})	110°C/W
Thermal Resistance from Junction to Ambient(R_{thJA}) ^{Note}	250°C/W

Note. R_{thJA} is measured with the PCB copper area of approximately 1 in²(Multi-layer). that need connect to GND pin.

ELECTRICAL SPECIFICATIONS

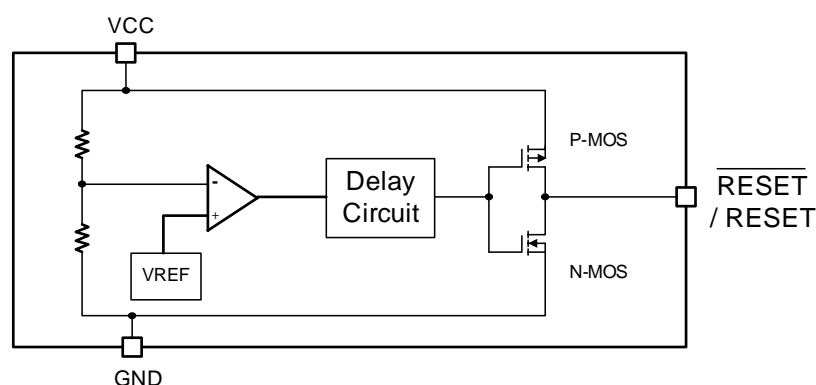
($V_{DD}=2.75\text{V}$, $T_A=25^{\circ}\text{C}$, unless otherwise specified)

Parameter	SYM	TEST CONDITION	MIN	TYP	MAX	UNITS
Operating Vcc Range	V_{Range}		1	-	6	V
Supply Current	I_{CC}	$V_{CC} = V_{TH}+1.0\text{V}$	-	25	35	μA
Reset Threshold $T_A=25^{\circ}\text{C}$	V_{TH}	APE6809_6812A	4.54	4.63	4.71	V
		APE6809_6812B	4.29	4.38	4.46	
		APE6809_6812I	4.16	4.25	4.33	
		APE6809_6812C	3.92	4	4.08	
		APE6809_6812D	3.02	3.08	3.15	
		APE6809_6812E	2.87	2.93	3	
		APE6809_6812H	2.64	2.7	2.75	
		APE6809_6812F	2.57	2.63	2.69	
APE6809_6812G	2.2	2.25	2.3			
Reset Threshold Tempco	V_{THT}	$T_A = 0^{\circ}\text{C}$ to $+85^{\circ}\text{C}$	-	50	-	ppm/ $^{\circ}\text{C}$
Set-up Time	T_S	$V_{CC} = 0$ to ($V_{TH} - 100\text{mV}$)	1	-	-	μs
Vcc to Reset Delay	T_{RD}	$V_{CC}=V_{TH}$ to ($V_{TH}-100\text{mV}$)	-	20	-	μs
Reset Active Timeout Period	T_{DELAY}	$T_A = 0^{\circ}\text{C}$ to $+85^{\circ}\text{C}$	160	200	260	ms
RESET Output Voltage (APE6809/APE6811)	V_{OL}	$1.8\text{V} < V_{CC} < V_{TH(\text{min})}$, $I_{SINK} = 1.2\text{mA}$	-	-	0.3	V
		$1.2\text{V} < V_{CC} < 1.8\text{V}$, $I_{SINK} = 50\mu\text{A}$				
RESET Output Voltage (APE6810/APE6812)	V_{OH}	$V_{CC} > V_{TH(\text{max})}$, $I_{SOURCE} = 500\mu\text{A}$,	0.8 V_{CC}	-	-	V
RESET Output Voltage (APE6810/APE6812)	V_{OL}	$V_{CC} > V_{TH(\text{max})}$, $I_{SINK} = 1.2\text{mA}$,	-	-	0.3	V
		$1.8\text{V} < V_{CC} < V_{TH(\text{min})}$, $I_{SOURCE} = 500\mu\text{A}$	0.8 V_{CC}	-	-	V
RESET Output Voltage (APE6810/APE6812)	V_{OH}	$1.2\text{V} < V_{CC} < 1.8\text{V}$, $I_{SOURCE} = 150\mu\text{A}$				
Hysteresis at V_{CC}	V_{Hys}	Input voltage	-	40	-	mV

PIN DESCRIPTIONS

PIN SYMBOL	PIN DESCRIPTION
VCC	Operating voltage input
GND	Ground
RESET/ <u>RESET</u>	Reset output pin L: for APE6809/APE6811 H: for APE6810/APE6812

BLOCK DIAGRAM



FUNCTION DESCRIPTION

A microprocessor's (μP 's) reset input starts the μP in a known state. The APE6809_6812 asserts reset to prevent code-execution errors during power-up, power-down, or brownout conditions. They assert a reset signal whenever the VCC supply voltage declines below a preset threshold, keeping it asserted for at least 200ms after VCC has risen above the reset threshold. The APE6809_6812 has a push-pull output stage.

APPLICATION INFORMATION

Negative-Going VCC Transients

In addition to issuing a reset to the μP during power-up, power-down, and brownout conditions, the APE6809_6812 is relatively immune to short-duration negative-going VCC transients (glitches).

The APE6809_6812 does not generate a reset pulse. The graph was generated using a negative going pulse applied to VCC, starting 0.5V above the actual reset threshold and ending below it by the magnitude indicated (reset comparator overdrive). The graph indicates the maximum pulse width a negative going VCC transient can have without causing a reset pulse. As the magnitude of the transient increases (goes farther below the reset threshold), the maximum allowable pulse width decreases. Typically, a VCC transient that goes 50mV below the reset threshold A 0.1 μF bypass capacitor mounted as close as possible to the VCC pin provides additional transient immunity.



APPLICATION INFORMATION

Ensuring a Valid Reset Output Down to VCC = 0

$\overline{\text{RESET}}$ is guaranteed to be a logic low for $V_{CC} > 1.0V$. Once V_{CC} exceeds the reset threshold, an internal timer keeps $\overline{\text{RESET}}$ low for the reset timeout period; after this interval, $\overline{\text{RESET}}$ goes high. If a brownout condition occurs (V_{CC} dips below the reset threshold), $\overline{\text{RESET}}$ goes low. Any time V_{CC} goes below the reset threshold, the internal timer resets to zero, and $\overline{\text{RESET}}$ goes low. The internal timer starts after V_{CC} returns above the reset threshold, and $\overline{\text{RESET}}$ remains low for the reset timeout period.

When V_{CC} falls below 1.0V, the APE6809/APE6811 $\overline{\text{RESET}}$ output no longer sinks current—it becomes an open circuit. Therefore, high-impedance CMOS logic inputs connected to $\overline{\text{RESET}}$ can drift to undetermined voltages.

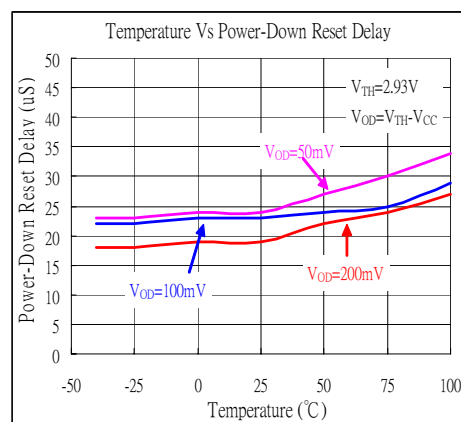
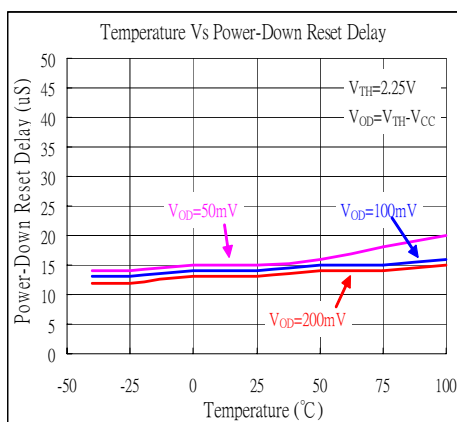
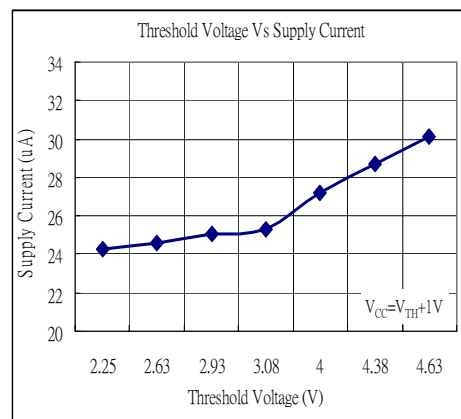
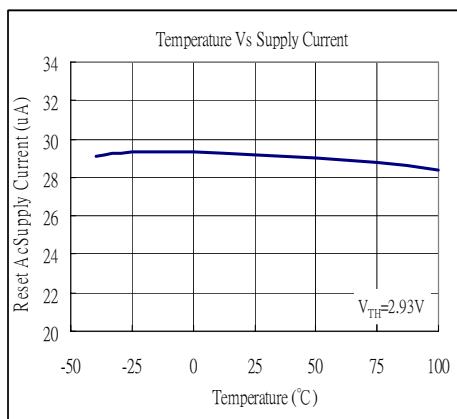
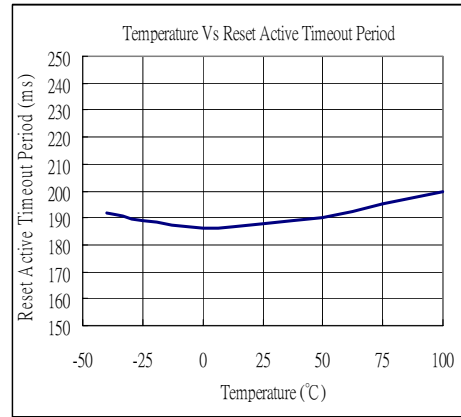
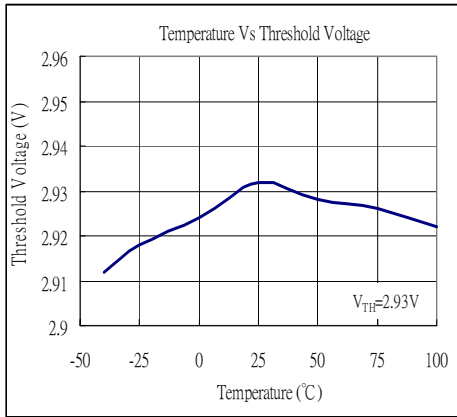
This presents no problem in most applications since most μP and other circuitry is inoperative with V_{CC} below 1.0V. However, in applications where $\overline{\text{RESET}}$ must be valid down to 0V, adding a pull down resistor causes any stray leakage currents to flow to ground, holding $\overline{\text{RESET}}$ low. R_1 's value is not critical; 100k is large enough not to load $\overline{\text{RESET}}$ and small enough to pull $\overline{\text{RESET}}$ to ground. For the APE6810/APE6812 if $\overline{\text{RESET}}$ is required to remain valid for $V_{CC} < 1.0V$.

Ensuring a Valid Reset Output Down to VCC = 0

Most μP supervisor ICs has reset threshold voltages between 5% and 10% below the value of nominal supply voltages. This ensures a reset will not occur within 5% of the nominal supply, but will occur when the supply is 10% below nominal. When using ICs rated at only the nominal supply $\pm 5\%$, this leaves a zone of uncertainty where the supply is between 5% and 10% low, and where the reset may or may not be asserted.

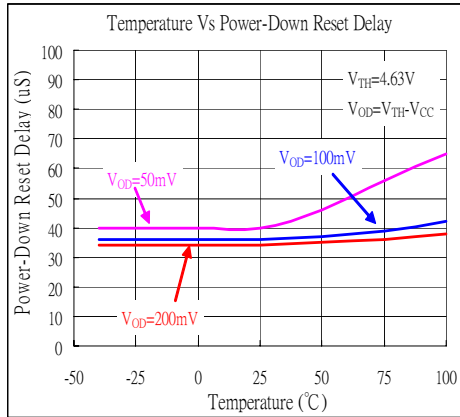


TYPICAL PERFORMANCE CHARACTERISTICS

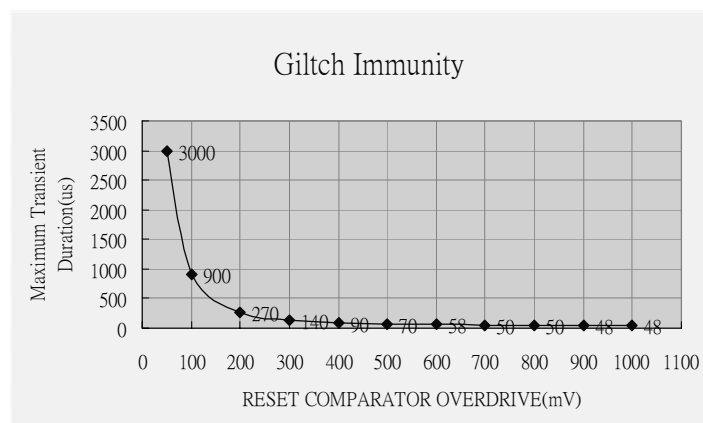
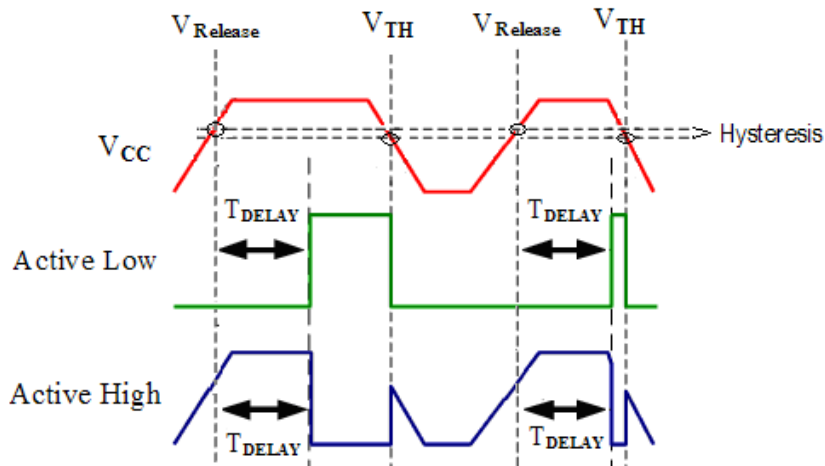




TYPICAL PERFORMANCE CHARACTERISTICS



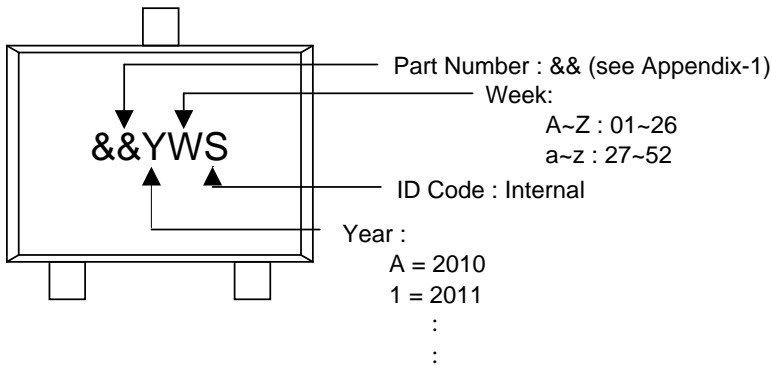
TIMING DIAGRAM





MARKING INFORMATION

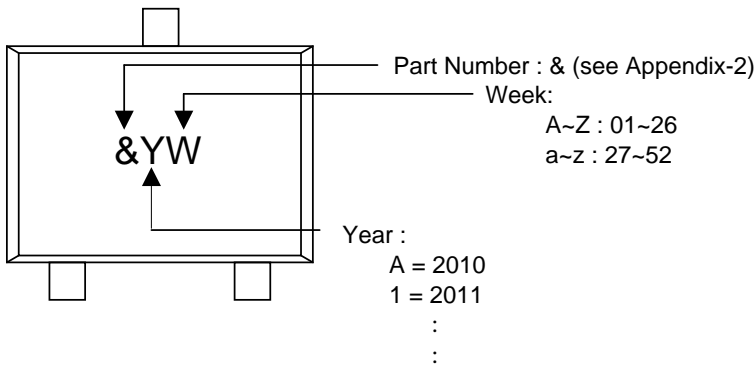
SOT-23



APPENDIX-1

Part Number	Identification Code	Part Number	Identification Code
APE6809N-A	CA	APE6811N-A	CO
APE6809N-B	CB	APE6811N-B	CP
APE6809N-C	CC	APE6811N-C	CQ
APE6809N-D	CD	APE6811N-D	CR
APE6809N-E	CE	APE6811N-E	CS
APE6809N-F	CF	APE6811N-F	CT
APE6809N-G	CG	APE6811N-G	CU
APE6809N-H	Ca	APE6811N-H	Cf
APE6809N-I	Cb	APE6811N-I	Cg
APE6810N-A	CH	APE6812N-A	C1
APE6810N-B	CI	APE6812N-B	C2
APE6810N-C	CJ	APE6812N-C	C3
APE6810N-D	CK	APE6812N-D	C4
APE6810N-E	CL	APE6812N-E	C5
APE6810N-F	CM	APE6812N-F	C6
APE6810N-G	CN	APE6812N-G	C7
APE6810N-H	Cd	APE6812N-H	Ch
APE6810N-I	Ce	APE6812N-I	Cm

SC-70

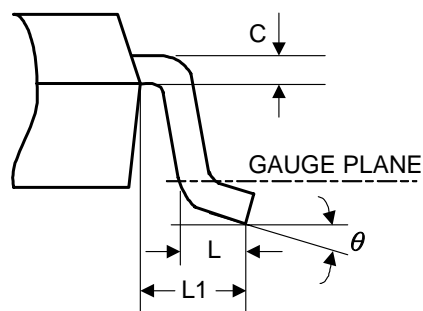
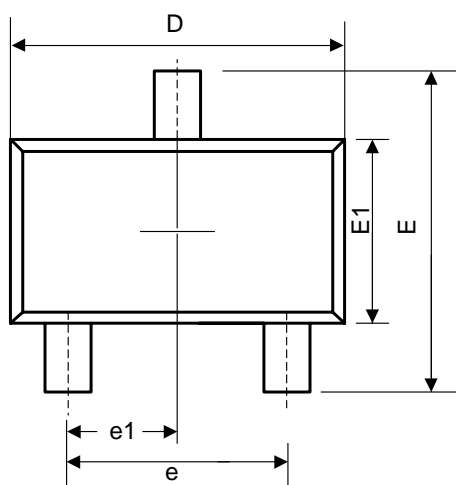


APPENDIX-2

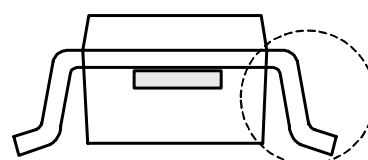
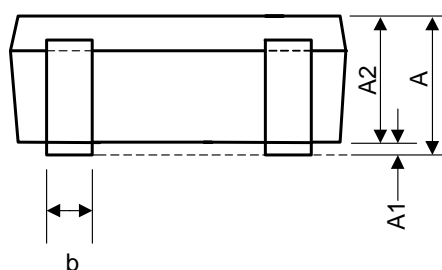
Part Number	Identification Code	Part Number	Identification Code
APE6809U-A	a	APE6811U-A	o
APE6809U-B	b	APE6811U-B	p
APE6809U-C	c	APE6811U-C	q
APE6809U-D	d	APE6811U-D	r
APE6809U-E	e	APE6811U-E	s
APE6809U-F	f	APE6811U-F	t
APE6809U-G	g	APE6811U-G	u
APE6809U-H	3	APE6811U-H	7
APE6809U-I	4	APE6811U-I	8
APE6810U-A	h	APE6812U-A	v
APE6810U-B	i	APE6812U-B	w
APE6810U-C	j	APE6812U-C	x
APE6810U-D	k	APE6812U-D	y
APE6810U-E	l	APE6812U-E	z
APE6810U-F	m	APE6812U-F	1
APE6810U-G	n	APE6812U-G	2
APE6810U-H	5	APE6812U-H	9
APE6810U-I	6	APE6812U-I	0

PACKAGE OUTLINES

SOT-23-3L



VIEW C

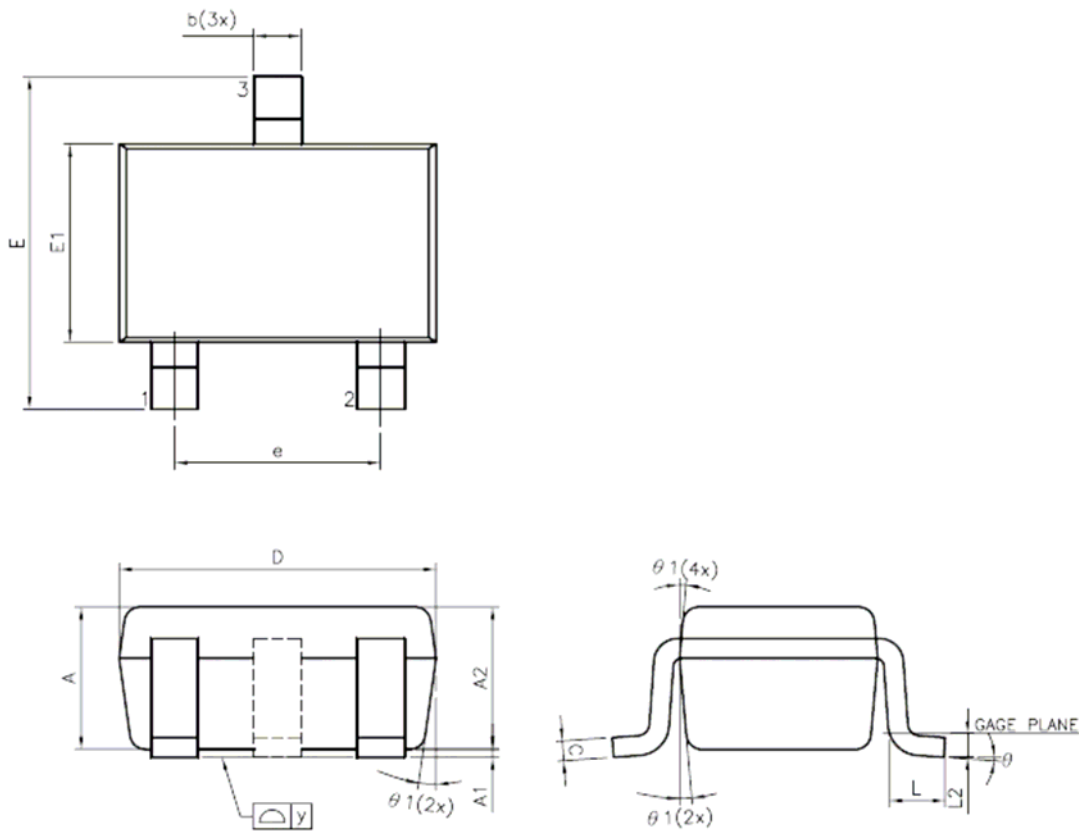


SEE VIEW C

Symbol	Dimensions in Millimeters			Dimensions in Inches		
	Min.	Nom.	Max.	Min.	Nom.	Max.
A	1.05	-	1.45	0.041	-	0.057
A1	0.05	-	0.15	0.002	-	0.006
A2	0.90	1.10	1.30	0.035	0.043	0.051
b	0.30	-	0.50	0.012	-	0.020
C	0.08	-	0.20	0.003	-	0.008
D	2.70	2.90	3.10	0.106	0.114	0.122
E	2.60	2.80	3.00	0.102	0.110	0.118
E1	1.40	1.60	1.80	0.055	0.063	0.071
L	0.30	-	0.60	0.012	-	0.024
L1	0.50	0.60	0.70	0.020	0.024	0.028
e	1.80	1.90	2.00	0.071	0.075	0.079
e1	0.85	1.00	1.15	0.033	0.039	0.045
θ	0°	5°	10°	0°	5°	10°



SC-70-3L



Symbol	Dimensions in Millimeters			Dimensions in Inches		
	Min.	Nom.	Max.	Min.	Nom.	Max.
A	0.80	-	1.10	0.031	-	0.043
A1	0.00	-	0.10	0.000	-	0.004
A2	0.70	0.90	1.00	0.280	0.035	0.039
b	0.25	-	0.40	0.010	-	0.016
C	0.08	-	0.22	0.003	-	0.009
D	1.80	2.00	2.20	0.071	0.079	0.087
E	1.95	2.10	2.25	0.077	0.083	0.089
E1	1.15	1.25	1.35	0.045	0.049	0.053
e	-	1.30	-	-	0.051	-
L	0.26	0.36	0.46	0.010	0.014	0.018
L2	-	0.15	-	-	0.006	-
y	-	-	0.10	-	-	0.004
θ	0°	4°	8°	0°	4°	8°
θ	4°	-	12°	4°	-	12°

This datasheet has been downloaded from:

datasheet.eeworld.com.cn

Free Download

Daily Updated Database

100% Free Datasheet Search Site

100% Free IC Replacement Search Site

Convenient Electronic Dictionary

Fast Search System

www.EEworld.com.cn