

PCB LAYOUT  
SCALE 10:1

NOTES:

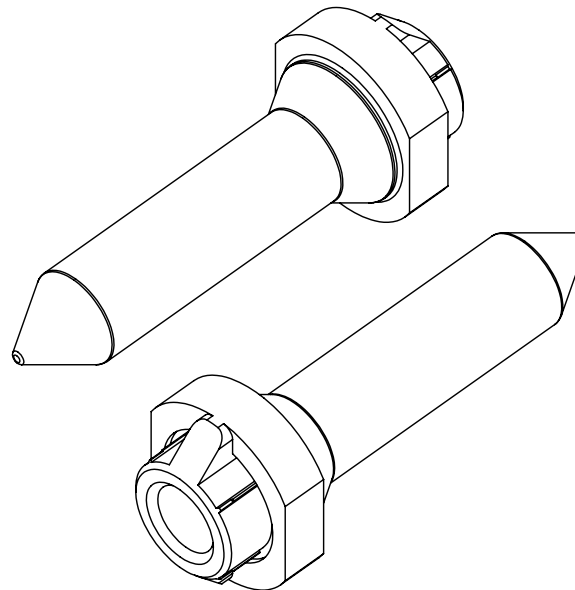
- UNLESS OTHERWISE SPECIFIED, ALL TOLERANCES FOLLOW DRAWING COMMON STANDARD.
- MATERIAL : ZINC ALLOY , GRADE 5
- BURRS 0.05 mm. MAXIMUM ALLOWED.

4. PART NO. DESCRIPTION

D 1 1 4 0 2 - 0 0 0 0 0 - Z 1

PLATING : \_\_\_\_\_  
Z..... YELLOW ZINC PLATED  
280μ

CONTACT PLATING : \_\_\_\_\_  
1..... NON-PLATING-GOLD



PROJECTION 	TOLERANCE UNLESS OTHERWISE SPECIFIED		<b>STARCONN</b> 慶良電子股份有限公司 CHIEF LAND ELECTRONIC CO., LTD.	
	LINEAR	ANGLE		TITLE
UNITS	.0 ± 0.25	X' REF ± 5'	MINI GUIDE PIN MALE	
MM[INCH]	.00 ± 0.15	X' ± 2'		
	.000 ± 0.10	X'X' ± 1'		
SCALE	DRAW <i>Jacky Lim</i> 06-24-'13	DESIGN <i>Jacky Lim</i> 06-24-'13	DWG NO. D11402-000000-Z1	REV. A
SIZE	CHKD <i>Aaron He</i> 06-24-'13	APPD. <i>Allen Pao</i> 06-24-'13	CAD NO. E11402	SHEET 1/1