

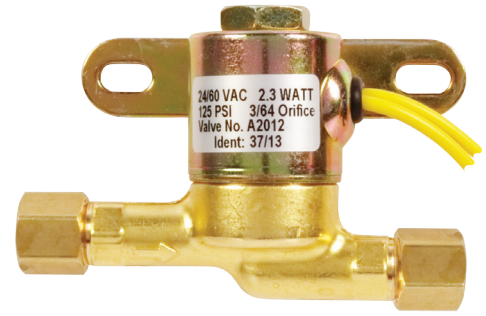
# Humidifier Solenoid Valves

- ▶ MOPD: 125 PSI
- ▶ 2.3 Watts

Originally designed and manufactured for original equipment manufacturers (OEM's), the humidifier solenoid valve is now available as a replacement solenoid valve for in-home and commercial humidifiers. Available in two orifice sizes, the humidifier solenoid has a brass body and is constructed with an in-line strainer for added protection to humidifier water lines.

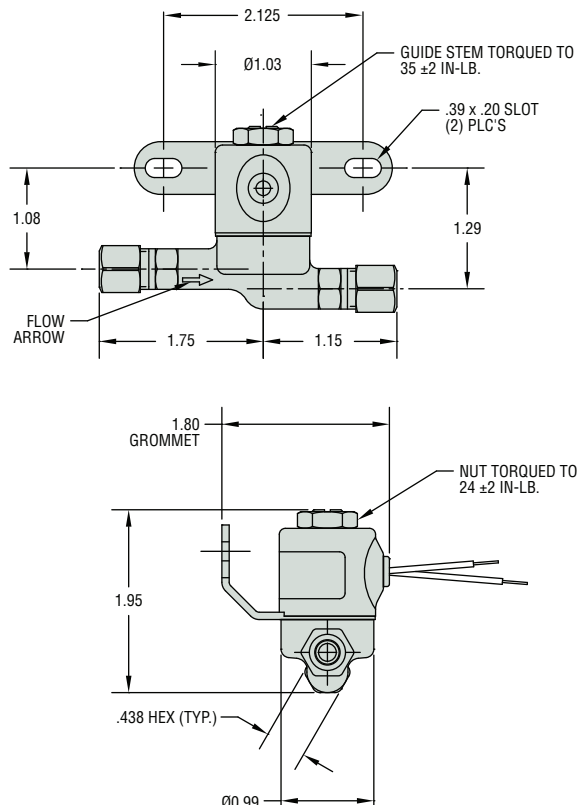
## Typical Application

- Replacement solenoid valve for commercial and in-home humidifiers

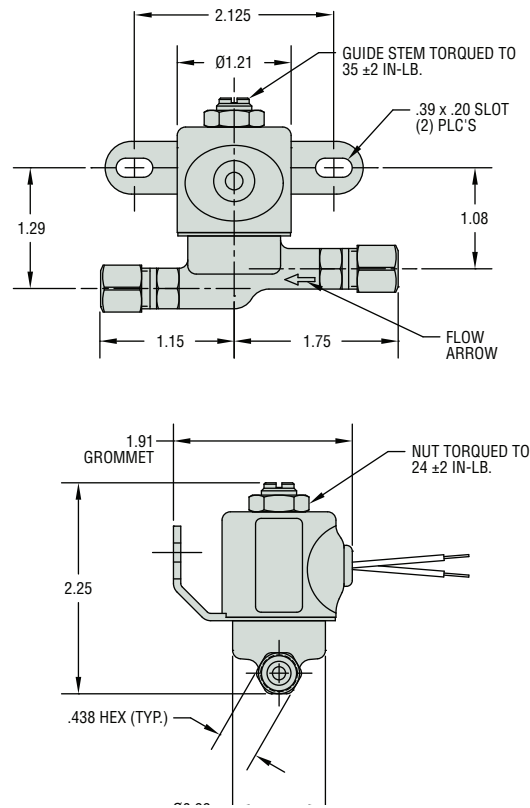


## Dimensions

24V, 60Hz AC



120V, 60Hz, AC



## How To Order

Orifice	Voltage (VAC)	MOPD (PSI)	Part Number
3/64	24/60	125	A2012-S150
3/32	120/60	125	B2015-S135

**李春华 13701301733**

**北京中海佳科技有限公司**

地址：北京市海淀区小营西路16号北楼522室

电话：010 - 82714837

QQ：37823822 微信：同手机或QQ号码

E-mail: shian100@126.com

http://www.bjzhj.net

SOLENOID VALVES