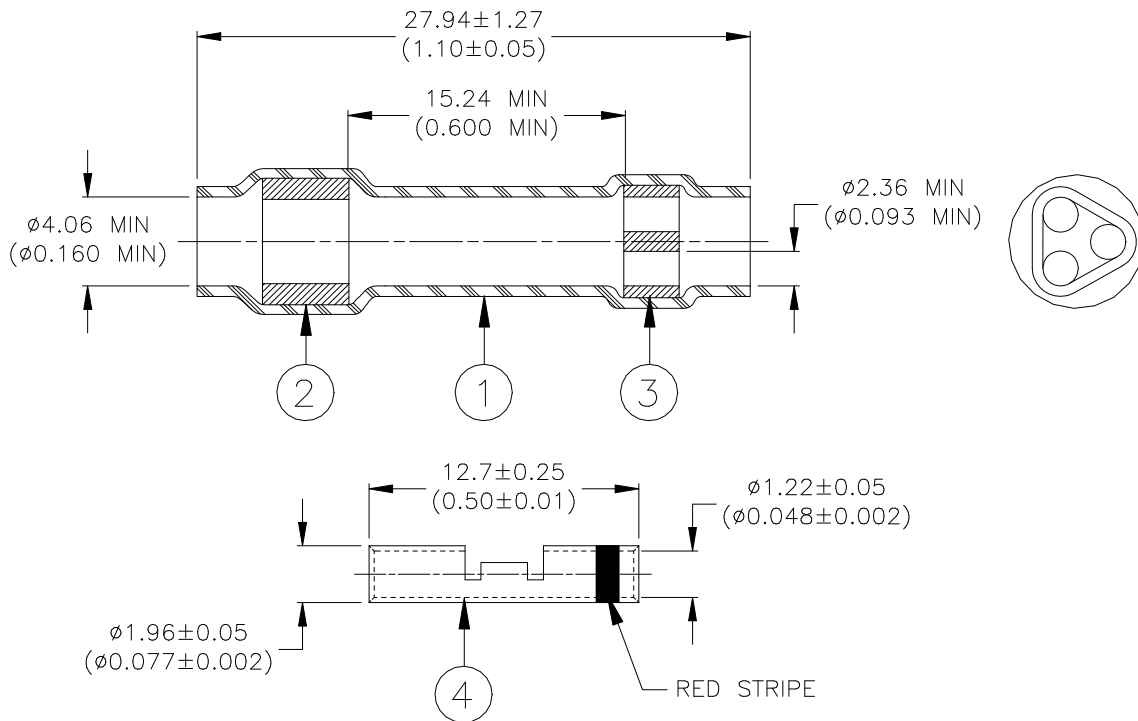


CUSTOMER DRAWING



MATERIALS

1. INSULATION SLEEVE: Heat-shrinkable, transparent blue, radiation cross-linked modified polyvinylidene fluoride.
2. SINGLE WIRE SEAL: Low outgassing immersion resistant thermoplastic fluoroelastomer. Color: BLUE.
3. INTEGRAL WIRE SEAL: Low outgassing immersion resistant thermoplastic fluoroelastomer. Color: BLUE.
4. CRIMP SPLICE: Base Metal: Copper Alloy 102 per ASTM B-75.
Plating: Tin, per MIL-T-10727, Type I

Wire Size Range of Crimp Splice

Size	One Wire		Two Wires		Three Wires	
	min	max	min	max	min	max
20 - 26	26	20	26	24	28	26

APPLICATION

1. These parts are designed to provide immersion resistant in-line splices of 2 or 3 to 1 wires falling within size range listed above, and having insulations rated for 135°C.
2. Parts are available only as an assembly of one each item #I and item #II.
3. Parts are to be installed following Devices Assembly Procedure (see sheet 2 of 2).
4. Inside diameter and outside diameter of splicer are to be measured in crimp areas, 2.54 to 5.08 (0.100 to 0.200) from ends of part. Slight burr permitted on parted surfaces.
5. Packing and packaging shall be accordance with Section 5, Level C, of MIL-T-7928.
6. This document takes precedence over documents referenced herein.
7. For other sizes of this configuration, see Devices specification Control Drawings D-436-42/-43.

TE Connectivity		Raychem Devices	TITLE: IN-LINE SPLICE SEALING SYSTEM, 2 or 3 to 1 SPLICE: TIN PLATED, COLOR CODED with Inspection Slots			
UNLESS OTHERWISE SPECIFIED DIMENSIONS ARE IN MILLIMETERS. INCHES DIMENSIONS ARE BETWEEN BRACKETS.			DOCUMENT NO.: D-436-0110			
TOLERANCES: 0.00 N/A 0.0 N/A 0 N/A	ANGLES: N/A ROUGHNESS IN MICRON	TE CONNECTIVITY (TE) RESERVES THE RIGHT TO CHANGE THIS DRAWING AT ANYTIME. USER SHOULD EVALUATE THE SUITABILITY OF THE PRODUCT FOR THEIR APPLICATION.		DATE: June 25, 2015	REVISION: B	
DRAWN BY: M. FORONDA	ECO APPROVED: L. RODRIGUEZ	ECO NUMBER: 15-009842		SCALE: None	SIZE: A	SHEET: 1 of 2

©2015 TE CONNECTIVITY LTD. FAMILY OF COMPANIES. ALL RIGHT RESERVED.

If this document is printed it becomes uncontrolled. Check for the latest revision.

CUSTOMER DRAWING


DEVICES ASSEMBLY PROCEDURE

1.0 SCOPE

This document outlines the procedure to be followed to obtain immersion resistant 3 or 2 to 1 in-line splices using Devices In-line Splice Sealing System D-436-0110.

2.0 PROCEDURE

- a. Strip all wires 6.35 to 7.92 (0.250 to 0.312).
- b. Attach the single lead to the appropriate size crimp splicer using a Raychem AD-1377 crimp tool.
- c. Pass the wires to be attached to the other barrel through the sealing sleeve from the three-hole insert end.
- d. Insert wires into barrel and crimp. Care must be taken so that wires remain untwisted between the crimp splicer and the three wire seal or the sealing sleeve cannot be positioned properly.
- e. Apply heat, first to the three-hole insert and then to the other. Heat should be applied until insert melts and flows axially along the wire.

 TE Connectivity		Raychem Devices	TITLE: IN-LINE SPLICE SEALING SYSTEM, 2 or 3 to 1 SPLICE: TIN PLATED, COLOR CODED with Inspection Slots			
UNLESS OTHERWISE SPECIFIED DIMENSIONS ARE IN MILLIMETERS. INCHES DIMENSIONS ARE BETWEEN BRACKETS.			DOCUMENT NO.: D-436-0110			
TOLERANCES: 0.00 N/A 0.0 N/A 0 N/A	ANGLES: N/A ROUGHNESS IN MICRON	TE CONNECTIVITY (TE) RESERVES THE RIGHT TO CHANGE THIS DRAWING AT ANYTIME. USER SHOULD EVALUATE THE SUITABILITY OF THE PRODUCT FOR THEIR APPLICATION.	DATE: June 25, 2015	REVISION: B		
DRAWN BY: M. FORONDA	ECO APPROVED: L. RODRIGUEZ	ECO NUMBER: 15-009842	SCALE: None	SIZE: A	SHEET: 2 of 2	

©2015 TE CONNECTIVITY LTD. FAMILY OF COMPANIES. ALL RIGHT RESERVED.

If this document is printed it becomes uncontrolled. Check for the latest revision.