



STF13NM60N, STI13NM60N, STP13NM60N, STU13NM60N, STW13NM60N

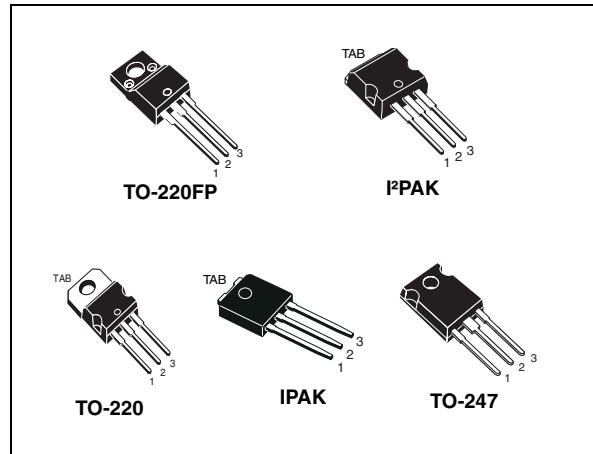
N-channel 600 V, 0.28 Ω typ., 11 A MDmesh™ II Power MOSFET
in TO-220FP, I²PAK, TO-220, IPAK, TO-247 packages

Datasheet — production data

Features

| Order codes | V _{DSS} (@T _{jmax}) | R _{DS(on)} max | I _D |
|--|---|----------------------------|----------------|
| STF13NM60N STI13NM60N STP13NM60N STU13NM60N STW13NM60N | 650 V | < 0.36 Ω | 11 A |

- 100% avalanche tested
- Low input capacitance and gate charge
- Low gate input resistance



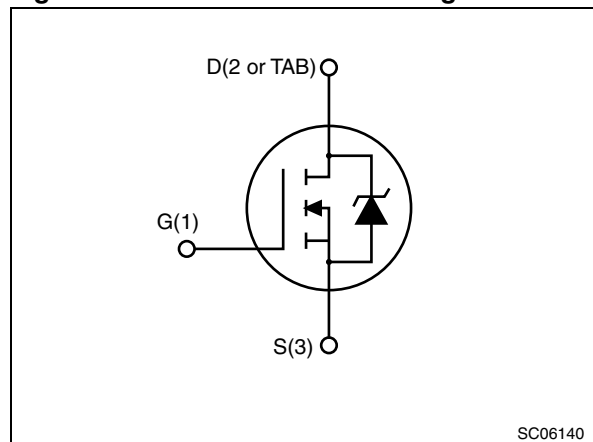
Applications

- Switching applications

Description

These devices are N-channel Power MOSFETs developed using the second generation of MDmesh™ technology. This revolutionary Power MOSFET associates a vertical structure to the company's strip layout to yield one of the world's lowest on-resistance and gate charge. It is therefore suitable for the most demanding high efficiency converters.

Figure 1. Internal schematic diagram



SC06140

Table 1. Device summary

| Order codes | Marking | Packages | Packaging |
|--|---------|--|--------------------------------------|
| STF13NM60N STI13NM60N STP13NM60N STU13NM60N STW13NM60N | 13NM60N | TO-220FP I ² PAK TO-220 IPAK TO-247 | Tube Tube Tube Tube Tube |

Contents

| | | |
|----------|---|-----------|
| 1 | Electrical ratings | 3 |
| 2 | Electrical characteristics | 4 |
| | 2.1 Electrical characteristics (curves) | 6 |
| 3 | Test circuits | 9 |
| 4 | Package mechanical data | 10 |
| 5 | Revision history | 20 |

1 Electrical ratings

Table 2. Absolute maximum ratings

| Symbol | Parameter | Value | | Unit |
|--------------------------------|--|---------------------|--|------|
| | | TO-220FP | I ² PAK, TO-220, IPAK, TO-247 | |
| V _{DS} | Drain-source voltage | 600 | | V |
| V _{GS} | Gate-source voltage | ± 25 | | V |
| I _D | Drain current (continuous) at T _C = 25 °C | 11 ⁽¹⁾ | 11 | A |
| I _D | Drain current (continuous) at T _C = 100 °C | 6.93 ⁽¹⁾ | 6.93 | A |
| I _{DM} ⁽²⁾ | Drain current (pulsed) | 44 ⁽¹⁾ | 44 | A |
| P _{TOT} | Total dissipation at T _C = 25 °C | 25 | 90 | W |
| dv/dt ⁽³⁾ | Peak diode recovery voltage slope | 15 | | V/ns |
| V _{ISO} | Insulation withstand voltage (RMS) from all three leads to external heat sink (t=1 s; T _C =25 °C) | 2500 | | V |
| T _{stg} | Storage temperature | - 55 to 150 | | °C |
| T _j | Max. operating junction temperature | 150 | | °C |

- Limited by maximum junction temperature
- Pulse width limited by safe operating area
- I_{SD} ≤ 11 A, di/dt ≤ 400 A/μs, V_{DS peak} ≤ V_{(BR)DSS}, V_{DD} = 80% V_{(BR)DSS}.

Table 3. Thermal data

| Symbol | Parameter | Value | | | | Unit |
|-----------------------|---|----------|---------------------------|------|--------|------|
| | | TO-220FP | I ² PAK TO-220 | IPAK | TO-247 | |
| R _{thj-case} | Thermal resistance junction-case max | 5 | 1.39 | | | °C/W |
| R _{thj-amb} | Thermal resistance junction-ambient max | 62.5 | 62.5 | 100 | 50 | °C/W |

Table 4. Avalanche characteristics

| Symbol | Parameter | Value | Unit |
|-----------------|---|-------|------|
| I _{AS} | Avalanche current, repetitive or not-repetitive (pulse width limited by T _j max) | 3.5 | A |
| E _{AS} | Single pulse avalanche energy (starting T _J =25 °C, I _D =I _{AS} , V _{DD} =50 V) | 200 | mJ |

2 Electrical characteristics

($T_{CASE} = 25\text{ °C}$ unless otherwise specified)

Table 5. On/off states

| Symbol | Parameter | Test conditions | Min. | Typ. | Max. | Unit |
|---------------|--|---|------|------|-----------|--------------------------------|
| $V_{(BR)DSS}$ | Drain-source breakdown voltage ($V_{GS} = 0$) | $I_D = 1\text{ mA}$ | 600 | | | V |
| I_{DSS} | Zero gate voltage drain current ($V_{GS} = 0$) | $V_{DS} = 600\text{ V}$ $V_{DS} = 600\text{ V}, T_C = 125\text{ °C}$ | | | 1 100 | μA μA |
| I_{GSS} | Gate-body leakage current ($V_{DS} = 0$) | $V_{GS} = \pm 25\text{ V}$ | | | ± 0.1 | μA |
| $V_{GS(th)}$ | Gate threshold voltage | $V_{DS} = V_{GS}, I_D = 250\text{ }\mu\text{A}$ | 2 | 3 | 4 | V |
| $R_{DS(on)}$ | Static drain-source on-resistance | $V_{GS} = 10\text{ V}, I_D = 5.5\text{ A}$ | | 0.28 | 0.36 | Ω |

Table 6. Dynamic

| Symbol | Parameter | Test conditions | Min. | Typ. | Max. | Unit |
|----------------------------|-------------------------------|--|------|------|------|----------|
| C_{iss} | Input capacitance | $V_{DS} = 50\text{ V}, f = 1\text{ MHz},$ $V_{GS} = 0$ | - | 790 | - | pF |
| C_{oss} | Output capacitance | | | 60 | | pF |
| C_{rss} | Reverse transfer capacitance | | | 3.6 | | pF |
| $C_{oss\text{ eq.}}^{(1)}$ | Equivalent output capacitance | $V_{GS} = 0, V_{DS} = 0\text{ to }480\text{ V}$ | - | 135 | - | pF |
| Q_g | Total gate charge | $V_{DD} = 480\text{ V}, I_D = 11\text{ A},$ $V_{GS} = 10\text{ V},$ <i>(see Figure 20)</i> | - | 27 | - | nC |
| Q_{gs} | Gate-source charge | | | 4 | | nC |
| Q_{gd} | Gate-drain charge | | | 14 | | nC |
| R_G | Gate input resistance | $f = 1\text{ MHz}$ open drain | - | 4.7 | - | Ω |

1. $C_{oss\text{ eq.}}$ is defined as a constant equivalent capacitance giving the same charging time as C_{oss} when V_{DS} increases from 0 to 80% V_{DS}

Table 7. Switching times

| Symbol | Parameter | Test conditions | Min. | Typ. | Max. | Unit | |
|--------------|---------------------|---|------|------|------|------|----|
| $t_{d(on)}$ | Turn-on delay time | $V_{DD} = 300\text{ V}$, $I_D = 5.5\text{ A}$ $R_G = 4.7\ \Omega$, $V_{GS} = 10\text{ V}$ (see Figure 19) | | 3 | | ns | |
| t_r | Rise time | | | 8 | | ns | |
| $t_{d(off)}$ | Turn-off delay time | | | | 30 | | ns |
| t_f | Fall time | | | | 10 | | ns |

Table 8. Source drain diode

| Symbol | Parameter | Test conditions | Min | Typ. | Max. | Unit |
|-----------------|-------------------------------|---|-----|------|------|---------------|
| I_{SD} | Source-drain current | | - | | 11 | A |
| $I_{SDM}^{(1)}$ | Source-drain current (pulsed) | | | | 44 | A |
| $V_{SD}^{(2)}$ | Forward on voltage | $I_{SD} = 11\text{ A}$, $V_{GS} = 0$ | - | | 1.5 | V |
| t_{rr} | Reverse recovery time | $I_{SD} = 11\text{ A}$, $di/dt = 100\text{ A}/\mu\text{s}$ $V_{DD} = 100\text{ V}$ (see Figure 21) | - | 230 | | ns |
| Q_{rr} | Reverse recovery charge | | | 2 | | μC |
| I_{RRM} | Reverse recovery current | | | 18 | | A |
| t_{rr} | Reverse recovery time | $I_{SD} = 11\text{ A}$, $di/dt = 100\text{ A}/\mu\text{s}$ $V_{DD} = 100\text{ V}$, $T_j = 150\text{ }^\circ\text{C}$ (see Figure 21) | - | 290 | | ns |
| Q_{rr} | Reverse recovery charge | | | 190 | | μC |
| I_{RRM} | Reverse recovery current | | | 17 | | A |

1. Pulse width limited by safe operating area
2. Pulsed: pulse duration = 300 μs , duty cycle 1.5%

2.1 Electrical characteristics (curves)

Figure 2. Safe operating area for I²PAK and TO-220

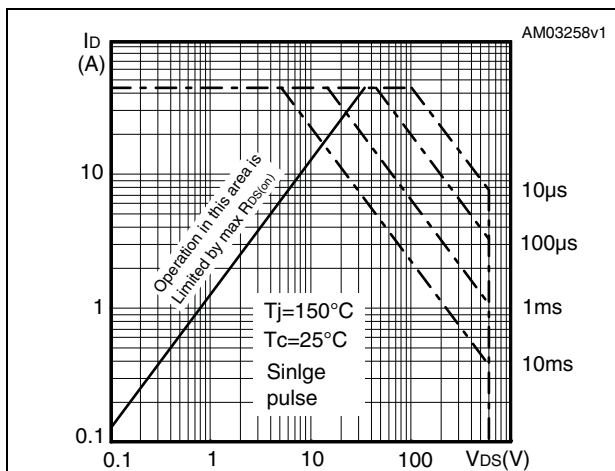


Figure 3. Thermal impedance for I²PAK and TO-220

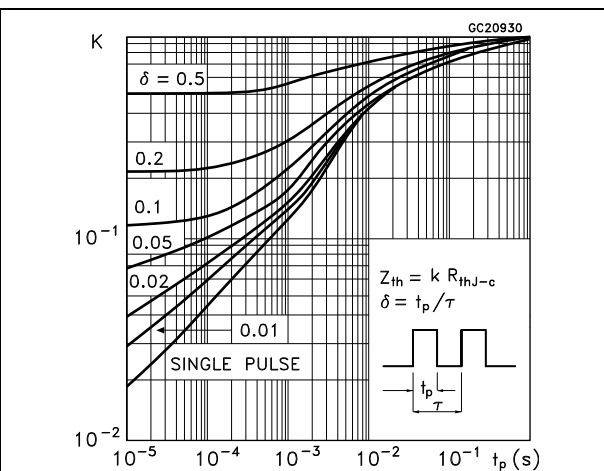


Figure 4. Safe operating area for TO-220FP

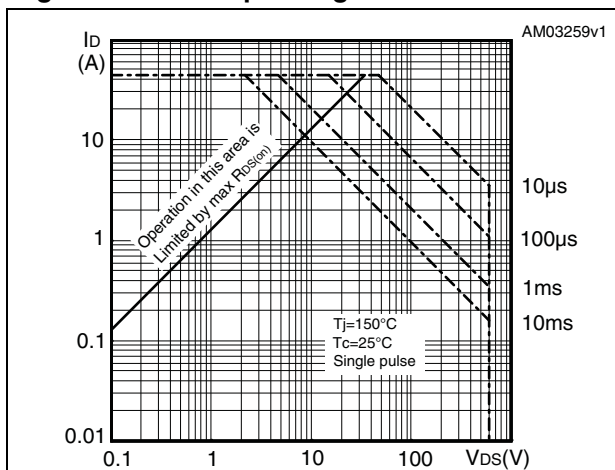


Figure 5. Thermal impedance for TO-220FP

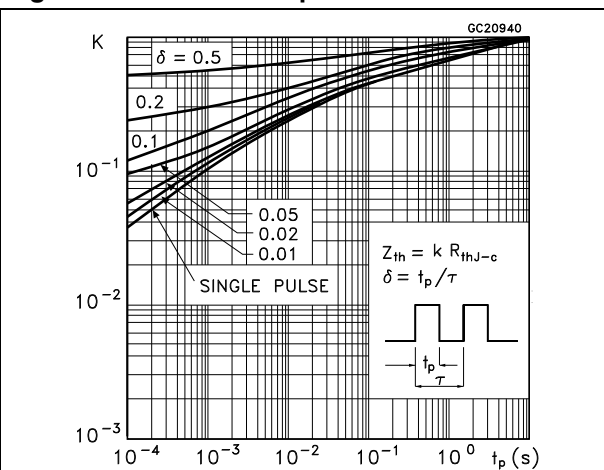


Figure 6. Safe operating area for TO-247

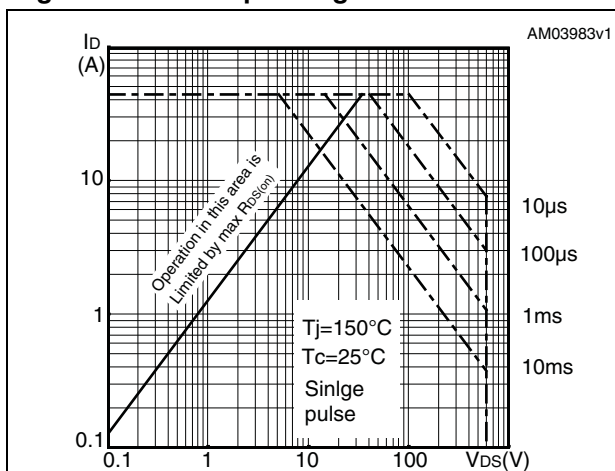


Figure 7. Thermal impedance for TO-247

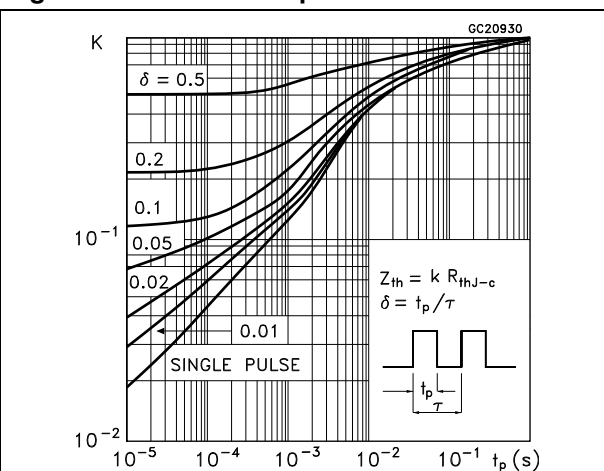


Figure 8. Safe operating area for IPAK

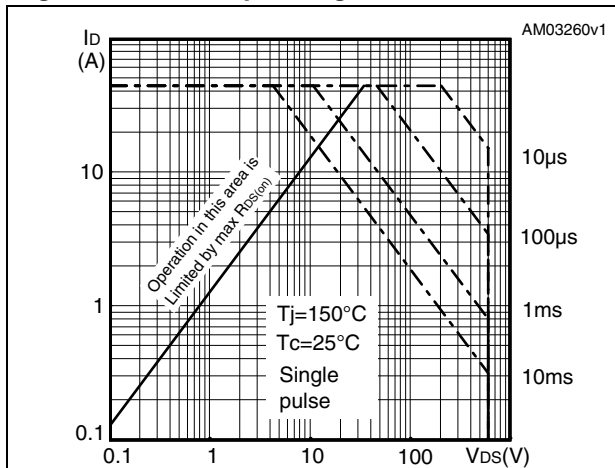


Figure 9. Thermal impedance for IPAK

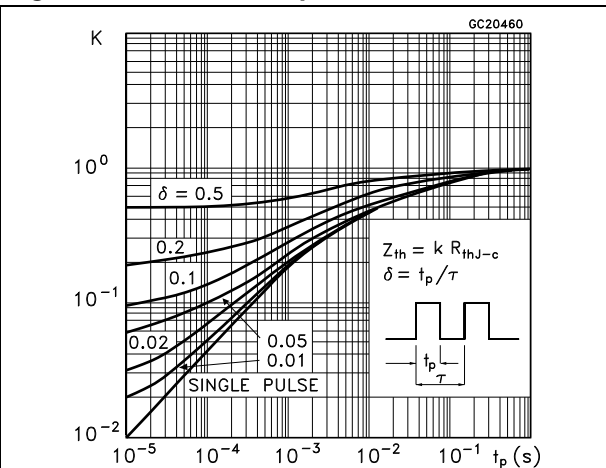


Figure 10. Output characteristics

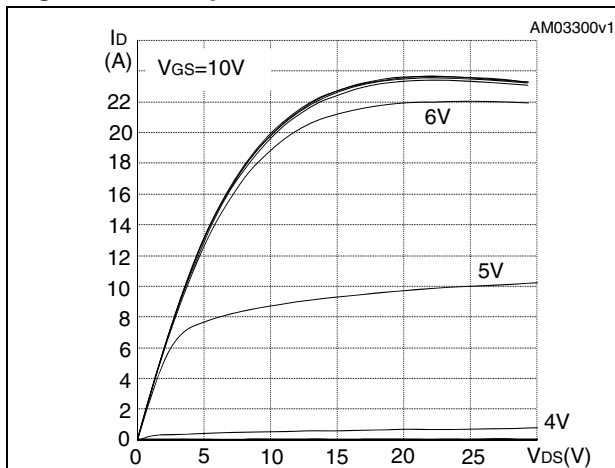


Figure 11. Transfer characteristics

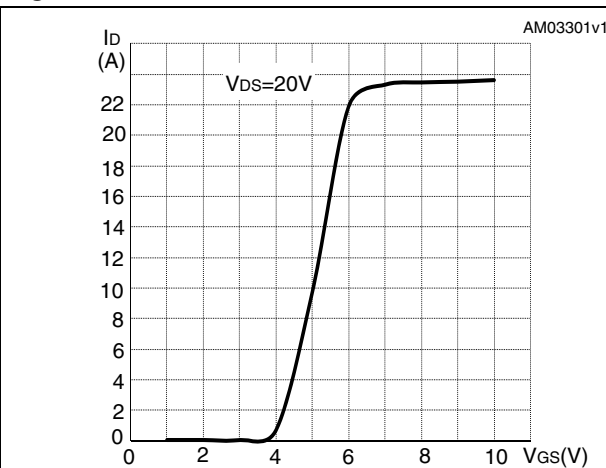


Figure 12. Normalized VDS vs temperature

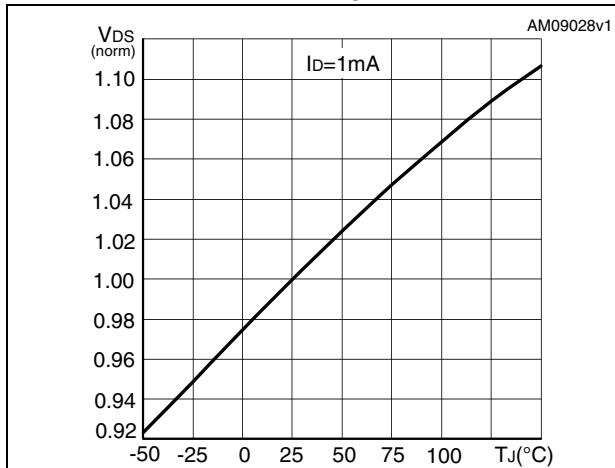


Figure 13. Static drain-source on-resistance

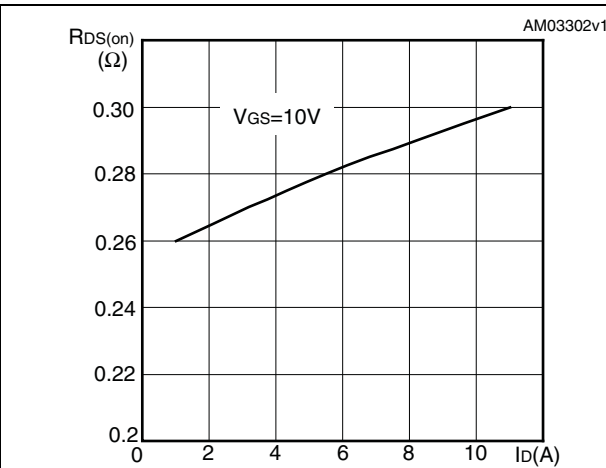


Figure 14. Gate charge vs gate-source voltage Figure 15. Capacitance variations

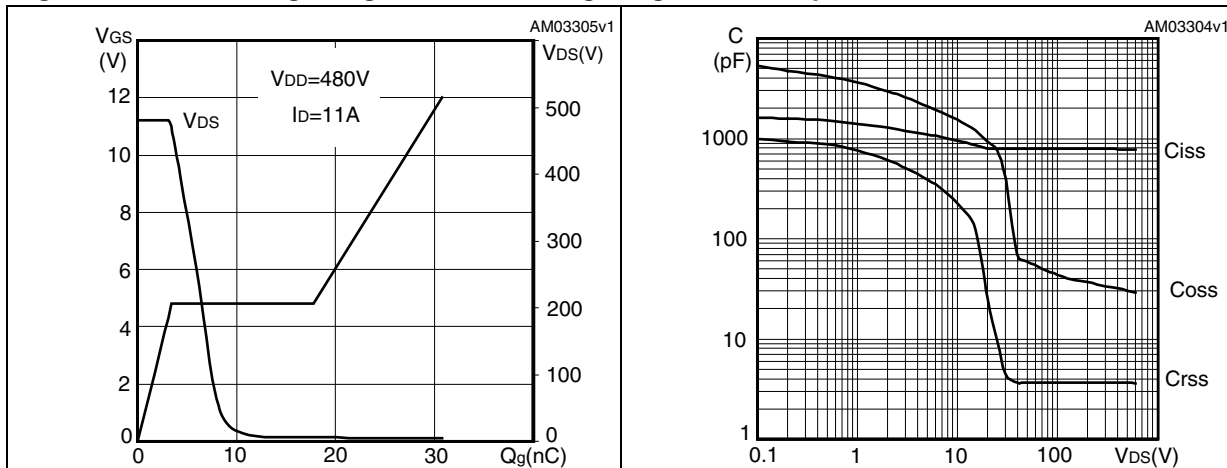


Figure 16. Normalized gate threshold voltage vs temperature Figure 17. Normalized on-resistance vs temperature

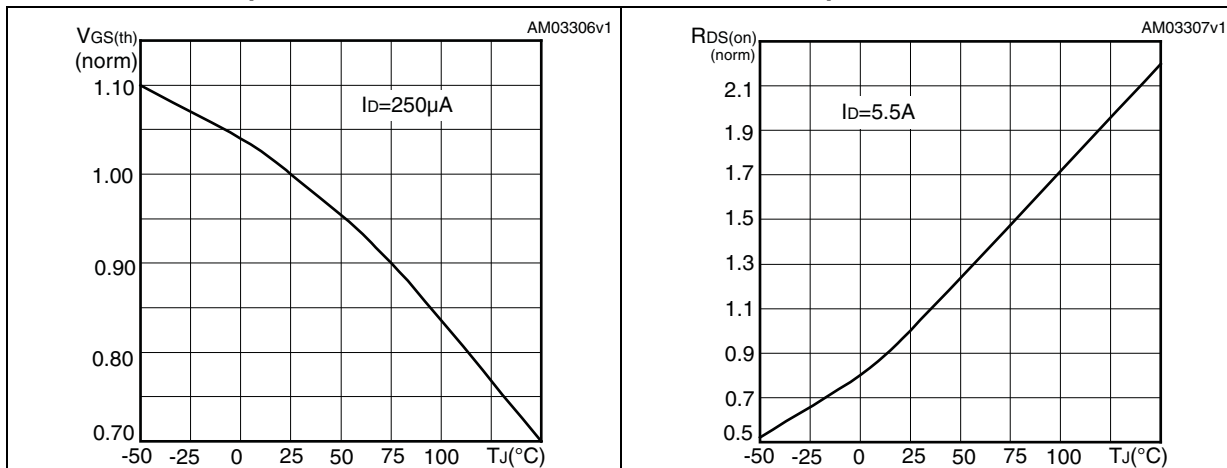
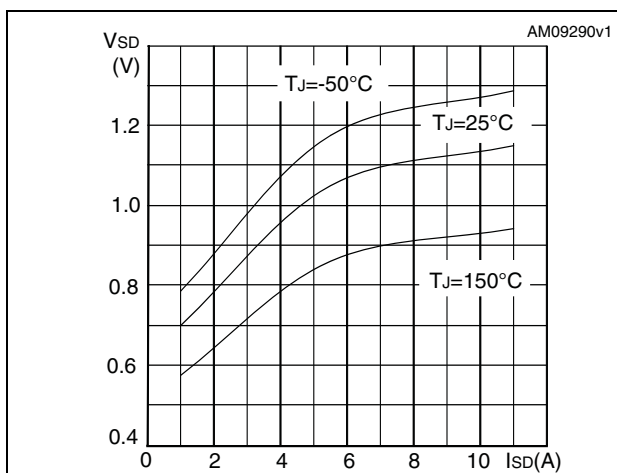


Figure 18. Source-drain diode forward characteristics



3 Test circuits

Figure 19. Switching times test circuit for resistive load



Figure 20. Gate charge test circuit

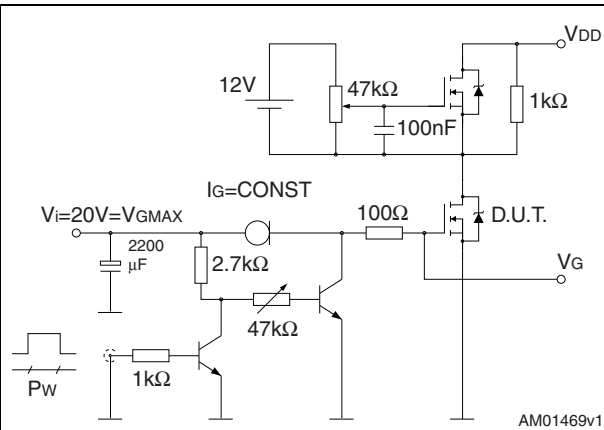


Figure 21. Test circuit for inductive load switching and diode recovery times

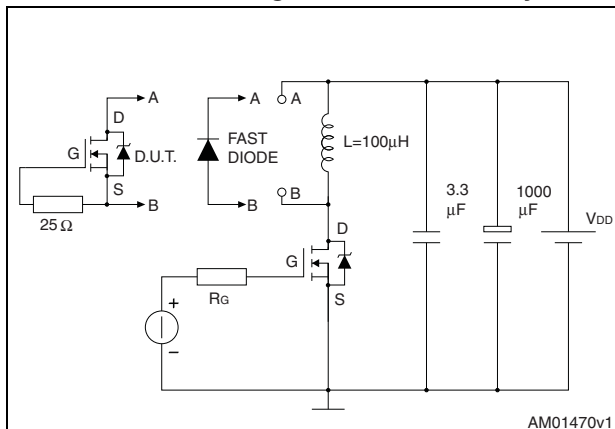


Figure 22. Unclamped inductive load test circuit

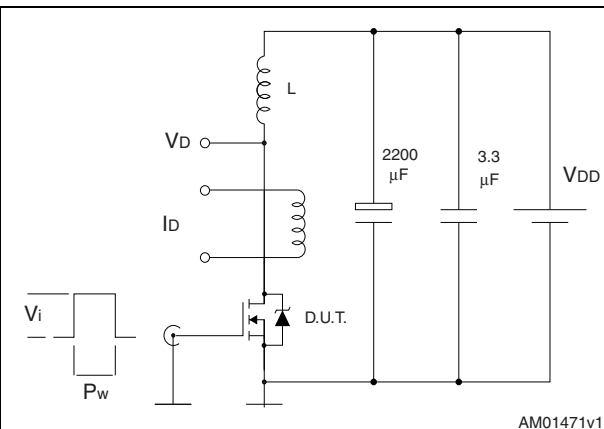


Figure 23. Unclamped inductive waveform

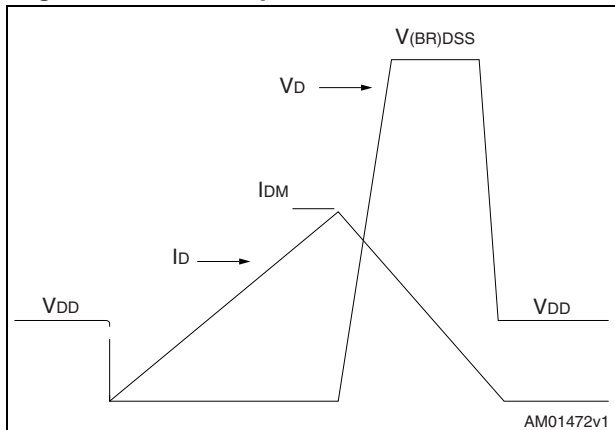
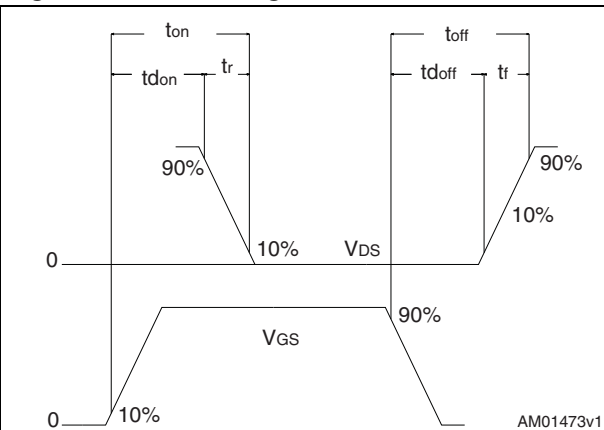


Figure 24. Switching time waveform



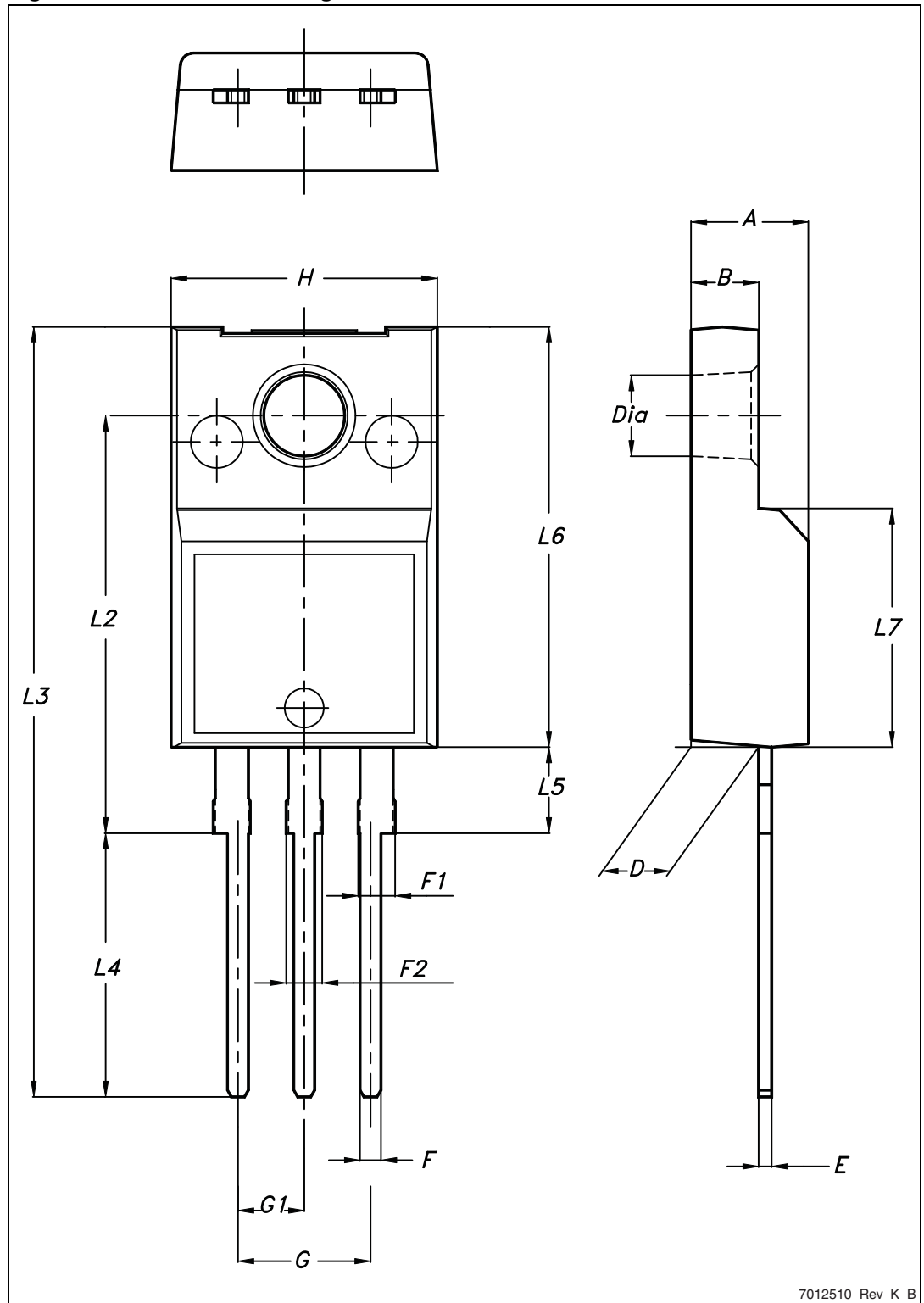
4 Package mechanical data

In order to meet environmental requirements, ST offers these devices in different grades of ECOPACK[®] packages, depending on their level of environmental compliance. ECOPACK[®] specifications, grade definitions and product status are available at: www.st.com. ECOPACK is an ST trademark.

Table 9. TO-220FP mechanical data

| Dim. | mm | | |
|------|------|------|------|
| | Min. | Typ. | Max. |
| A | 4.4 | | 4.6 |
| B | 2.5 | | 2.7 |
| D | 2.5 | | 2.75 |
| E | 0.45 | | 0.7 |
| F | 0.75 | | 1 |
| F1 | 1.15 | | 1.70 |
| F2 | 1.15 | | 1.70 |
| G | 4.95 | | 5.2 |
| G1 | 2.4 | | 2.7 |
| H | 10 | | 10.4 |
| L2 | | 16 | |
| L3 | 28.6 | | 30.6 |
| L4 | 9.8 | | 10.6 |
| L5 | 2.9 | | 3.6 |
| L6 | 15.9 | | 16.4 |
| L7 | 9 | | 9.3 |
| Dia | 3 | | 3.2 |

Figure 25. TO-220FP drawing



7012510_Rev_K_B

Table 10. I²PAK (TO-262) mechanical data

| DIM. | mm. | | |
|------|------|-----|-------|
| | min. | typ | max. |
| A | 4.40 | | 4.60 |
| A1 | 2.40 | | 2.72 |
| b | 0.61 | | 0.88 |
| b1 | 1.14 | | 1.70 |
| c | 0.49 | | 0.70 |
| c2 | 1.23 | | 1.32 |
| D | 8.95 | | 9.35 |
| e | 2.40 | | 2.70 |
| e1 | 4.95 | | 5.15 |
| E | 10 | | 10.40 |
| L | 13 | | 14 |
| L1 | 3.50 | | 3.93 |
| L2 | 1.27 | | 1.40 |

Figure 26. I²PAK (TO-262) drawing

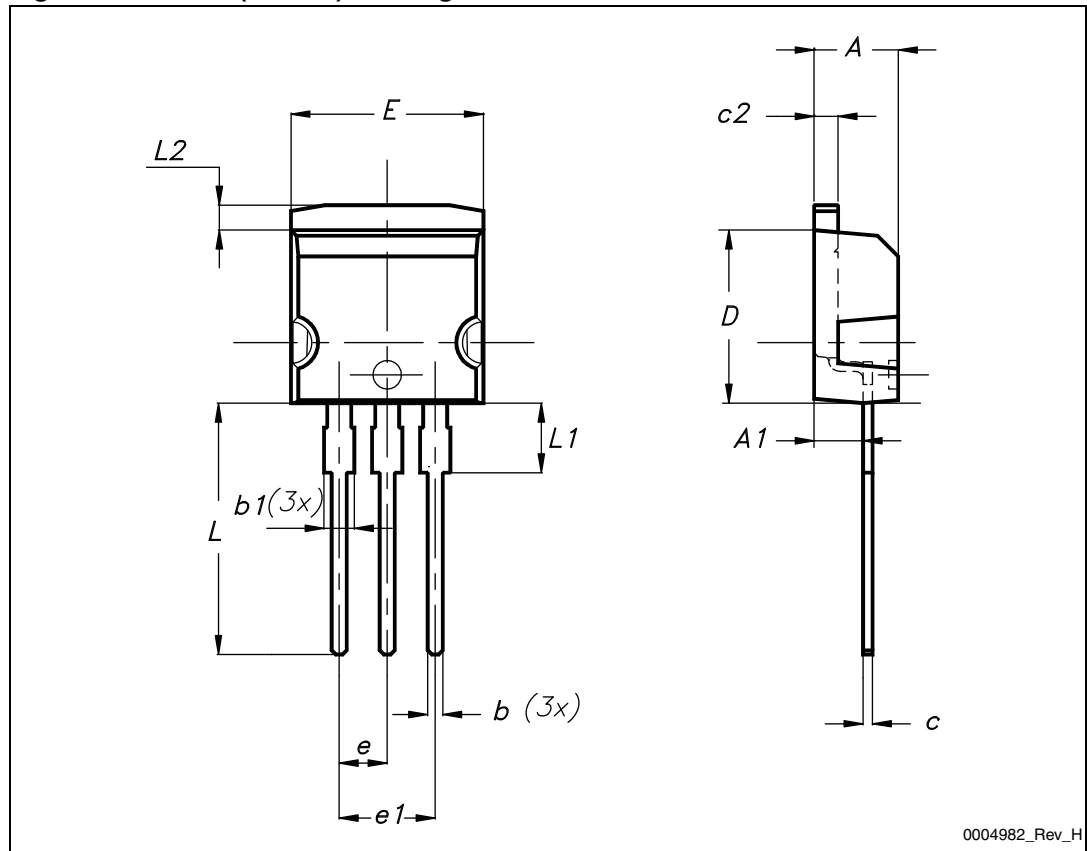


Table 11. TO-220 type A mechanical data

| Dim. | mm | | |
|------|-------|-------|-------|
| | Min. | Typ. | Max. |
| A | 4.40 | | 4.60 |
| b | 0.61 | | 0.88 |
| b1 | 1.14 | | 1.70 |
| c | 0.48 | | 0.70 |
| D | 15.25 | | 15.75 |
| D1 | | 1.27 | |
| E | 10 | | 10.40 |
| e | 2.40 | | 2.70 |
| e1 | 4.95 | | 5.15 |
| F | 1.23 | | 1.32 |
| H1 | 6.20 | | 6.60 |
| J1 | 2.40 | | 2.72 |
| L | 13 | | 14 |
| L1 | 3.50 | | 3.93 |
| L20 | | 16.40 | |
| L30 | | 28.90 | |
| ØP | 3.75 | | 3.85 |
| Q | 2.65 | | 2.95 |

Figure 27. TO-220 type A drawing

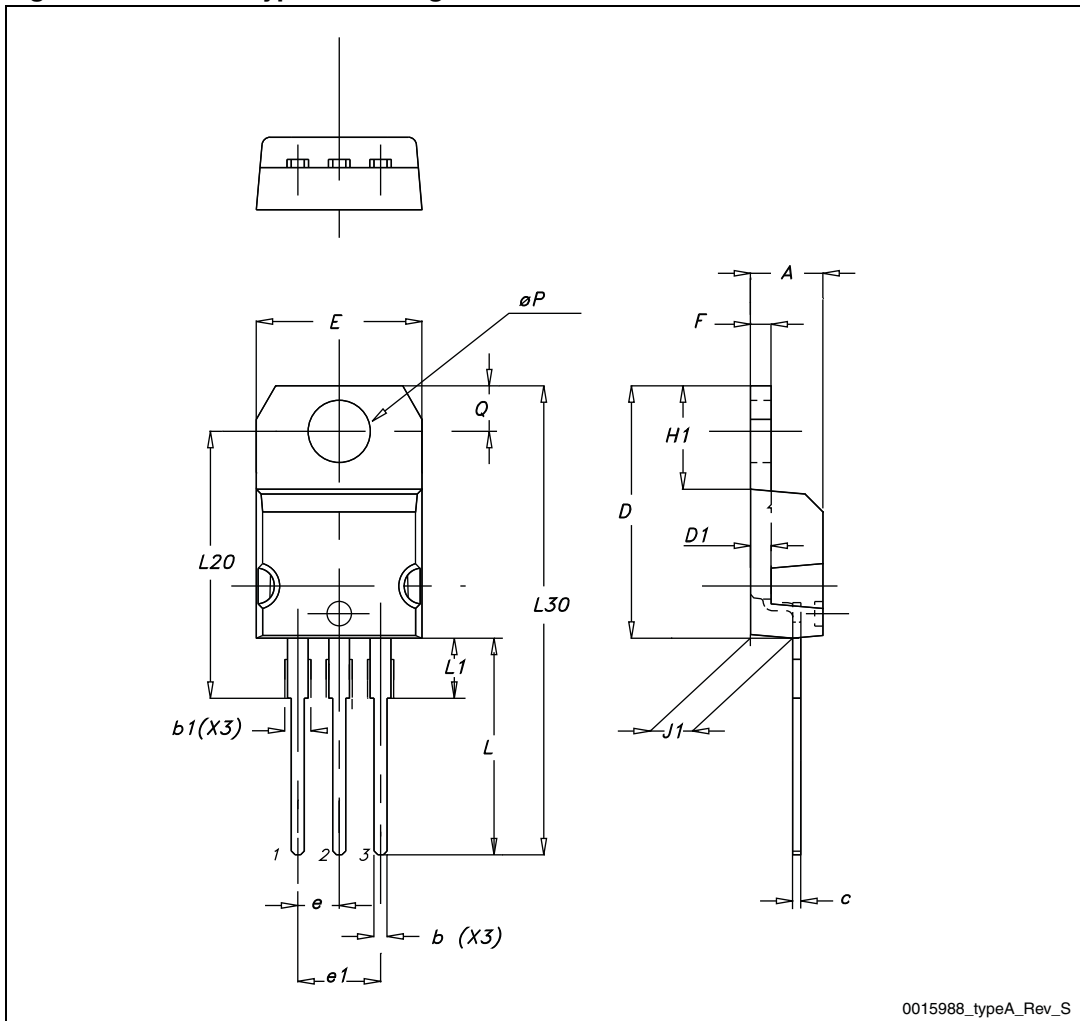


Table 12. IPAK (TO-251) mechanical data

| DIM. | mm. | | |
|------|------|-------|------|
| | min. | typ | max. |
| A | 2.20 | | 2.40 |
| A1 | 0.90 | | 1.10 |
| b | 0.64 | | 0.90 |
| b2 | | | 0.95 |
| b4 | 5.20 | | 5.40 |
| B5 | | 0.3 | |
| c | 0.45 | | 0.60 |
| c2 | 0.48 | | 0.60 |
| D | 6.00 | | 6.20 |
| E | 6.40 | | 6.60 |
| e | | 2.28 | |
| e1 | 4.40 | | 4.60 |
| H | | 16.10 | |
| L | 9.00 | | 9.40 |
| L1 | 0.80 | | 1.20 |
| L2 | | 0.80 | 1.00 |
| V1 | | 10 ° | |

Figure 28. IPAK (TO-251) drawing

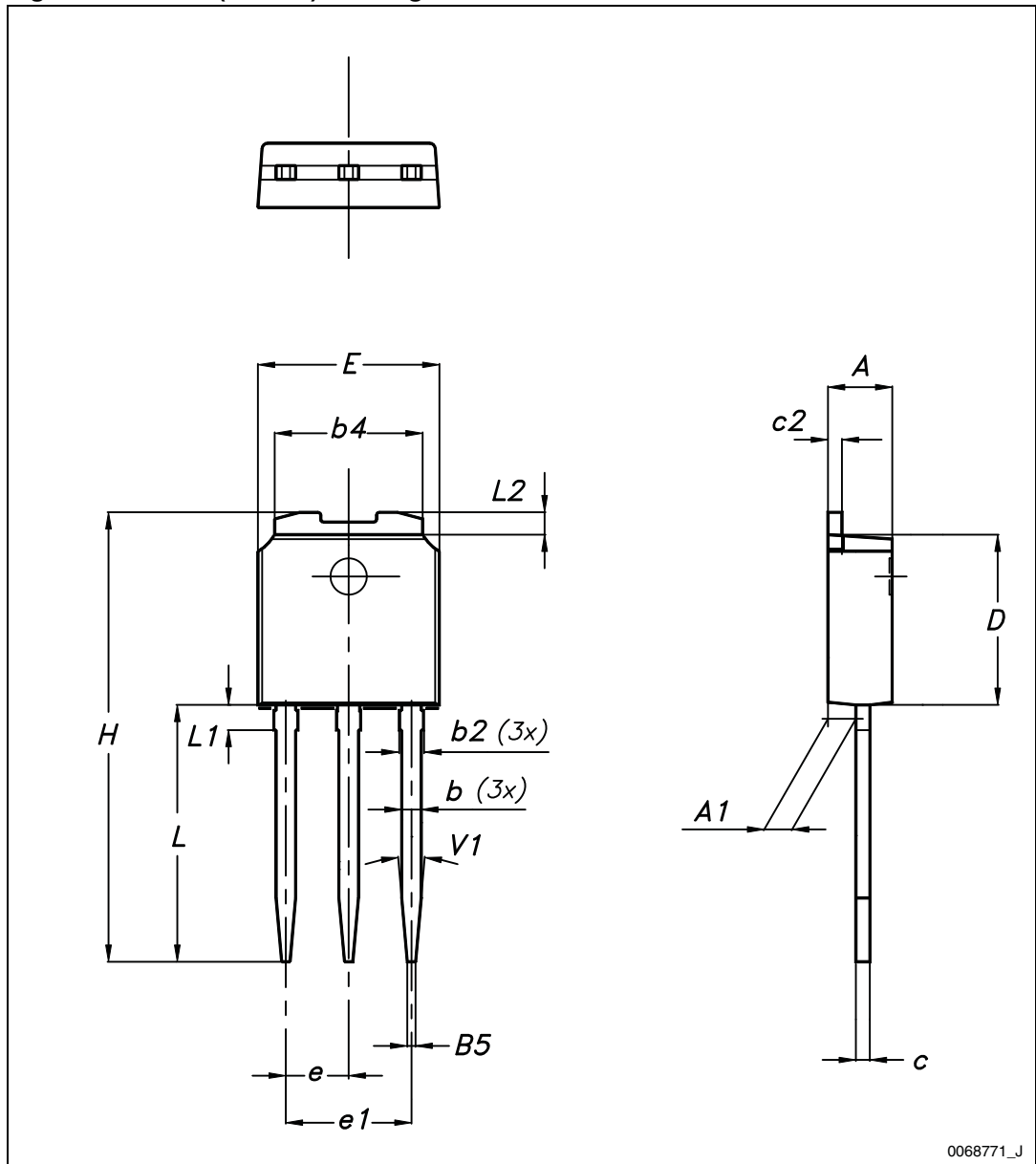
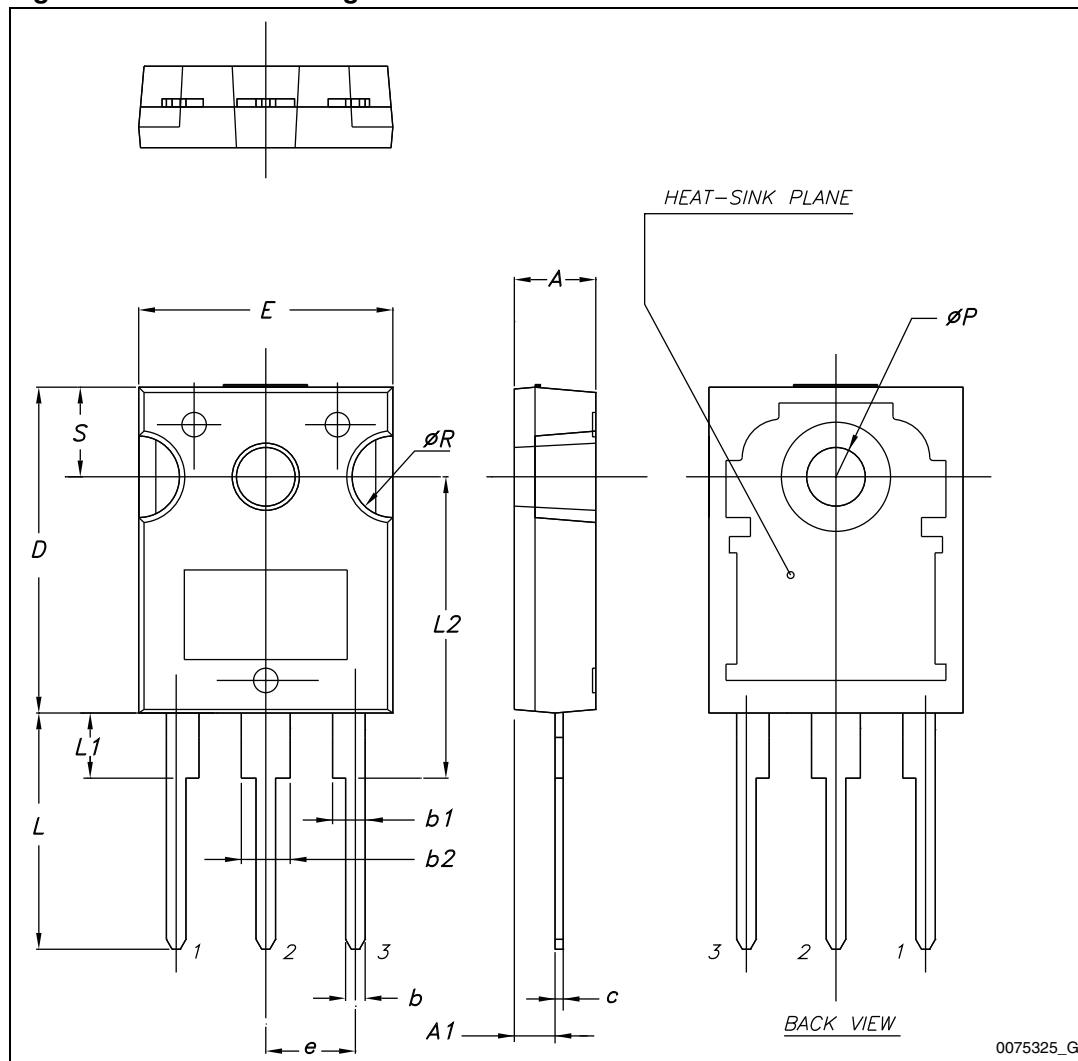


Table 13. TO-247 mechanical data

| Dim. | mm. | | |
|------|-------|-------|-------|
| | Min. | Typ. | Max. |
| A | 4.85 | | 5.15 |
| A1 | 2.20 | | 2.60 |
| b | 1.0 | | 1.40 |
| b1 | 2.0 | | 2.40 |
| b2 | 3.0 | | 3.40 |
| c | 0.40 | | 0.80 |
| D | 19.85 | | 20.15 |
| E | 15.45 | | 15.75 |
| e | 5.30 | 5.45 | 5.60 |
| L | 14.20 | | 14.80 |
| L1 | 3.70 | | 4.30 |
| L2 | | 18.50 | |
| ØP | 3.55 | | 3.65 |
| ØR | 4.50 | | 5.50 |
| S | 5.30 | 5.50 | 5.70 |

Figure 29. TO-247 drawing



0075325_G

5 Revision history

Table 14. Document revision history

| Date | Revision | Changes |
|-------------|----------|---|
| 29-Feb-2009 | 1 | First release |
| 13-Jan-2010 | 2 | – Added new package, mechanical data: TO-247 – Added new package, mechanical data: D ² PAK |
| 08-Nov-2010 | 3 | – Modified Figure 4 – Added new package, mechanical data: I ² PAK |
| 18-Jan-2012 | 4 | – Added new package, mechanical data: IPAK – Minor text changes |
| 14-Nov-2012 | 5 | The part numbers STB13NM60N and STD13NM60N have been moved to a separate datasheet. Section 4: Package mechanical data has been updated. |

Please Read Carefully:

Information in this document is provided solely in connection with ST products. STMicroelectronics NV and its subsidiaries ("ST") reserve the right to make changes, corrections, modifications or improvements, to this document, and the products and services described herein at any time, without notice.

All ST products are sold pursuant to ST's terms and conditions of sale.

Purchasers are solely responsible for the choice, selection and use of the ST products and services described herein, and ST assumes no liability whatsoever relating to the choice, selection or use of the ST products and services described herein.

No license, express or implied, by estoppel or otherwise, to any intellectual property rights is granted under this document. If any part of this document refers to any third party products or services it shall not be deemed a license grant by ST for the use of such third party products or services, or any intellectual property contained therein or considered as a warranty covering the use in any manner whatsoever of such third party products or services or any intellectual property contained therein.

UNLESS OTHERWISE SET FORTH IN ST'S TERMS AND CONDITIONS OF SALE ST DISCLAIMS ANY EXPRESS OR IMPLIED WARRANTY WITH RESPECT TO THE USE AND/OR SALE OF ST PRODUCTS INCLUDING WITHOUT LIMITATION IMPLIED WARRANTIES OF MERCHANTABILITY, FITNESS FOR A PARTICULAR PURPOSE (AND THEIR EQUIVALENTS UNDER THE LAWS OF ANY JURISDICTION), OR INFRINGEMENT OF ANY PATENT, COPYRIGHT OR OTHER INTELLECTUAL PROPERTY RIGHT.

UNLESS EXPRESSLY APPROVED IN WRITING BY TWO AUTHORIZED ST REPRESENTATIVES, ST PRODUCTS ARE NOT RECOMMENDED, AUTHORIZED OR WARRANTED FOR USE IN MILITARY, AIR CRAFT, SPACE, LIFE SAVING, OR LIFE SUSTAINING APPLICATIONS, NOR IN PRODUCTS OR SYSTEMS WHERE FAILURE OR MALFUNCTION MAY RESULT IN PERSONAL INJURY, DEATH, OR SEVERE PROPERTY OR ENVIRONMENTAL DAMAGE. ST PRODUCTS WHICH ARE NOT SPECIFIED AS "AUTOMOTIVE GRADE" MAY ONLY BE USED IN AUTOMOTIVE APPLICATIONS AT USER'S OWN RISK.

Resale of ST products with provisions different from the statements and/or technical features set forth in this document shall immediately void any warranty granted by ST for the ST product or service described herein and shall not create or extend in any manner whatsoever, any liability of ST.

ST and the ST logo are trademarks or registered trademarks of ST in various countries.

Information in this document supersedes and replaces all information previously supplied.

The ST logo is a registered trademark of STMicroelectronics. All other names are the property of their respective owners.

© 2012 STMicroelectronics - All rights reserved

STMicroelectronics group of companies

Australia - Belgium - Brazil - Canada - China - Czech Republic - Finland - France - Germany - Hong Kong - India - Israel - Italy - Japan - Malaysia - Malta - Morocco - Philippines - Singapore - Spain - Sweden - Switzerland - United Kingdom - United States of America

www.st.com



Mouser Electronics

Authorized Distributor

Click to View Pricing, Inventory, Delivery & Lifecycle Information:

[STMicroelectronics:](#)

[STF13NM60N](#) [STW13NM60N](#) [STI13NM60N](#) [STP13NM60N](#) [STU13NM60N](#)