

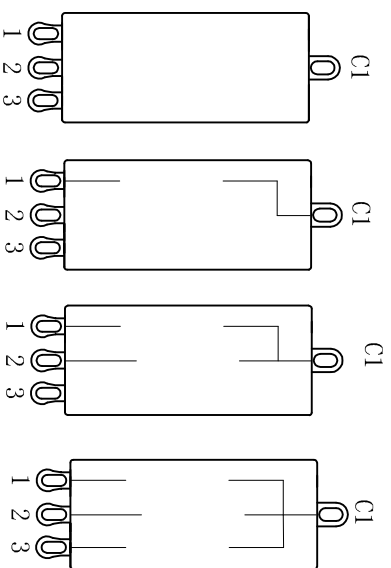
NOTES:
1. Approval & Rating:

- CCC 10(2)A 250V AC T85
- ETL 15 GPA 125V AC T85
- 10 GPA 250V AC T85
- TUV 10(2)A 250V AC T85
- CB 10(2)A 250V AC T85

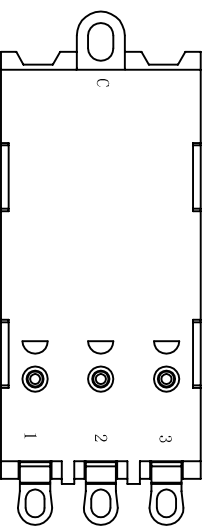
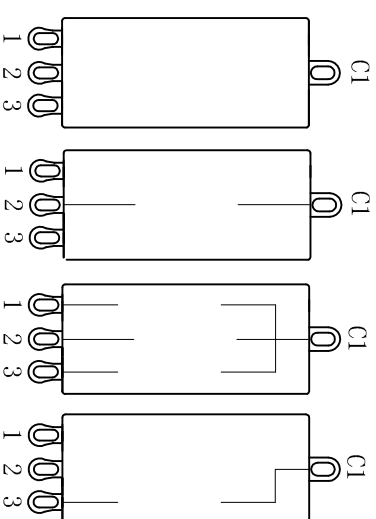
- 2. Circuit Diagram: 1Pole 3Throw
- 3. Terminal Strength: $\geq 30N$
- 4. Electrical life: ≥ 10000 cycles
- 5. Withstand Voltage: Withstand Voltage: 1500VAC 1min
Terminals to Button: 2500VAC 1min

- Leakage Current: 1mA
- 6. Current resistance: $\leq 50m\Omega$ (initial)
- 7. Insulation resistance: $\geq 100M\Omega$
- 8. Body Material: NYLON 66 94V-0~2

#006线路Circuit



#002线路Circuit



1档
(起始档)

2档

3档

4档

1档
(起始档)

2档

3档

4档

普通公差:
COMMON TOLERANCE:

UP TO 5	± 0.20
ABOVE 5 TO 30	± 0.30
ABOVE 30	± 0.50
ANGULAR	$\pm 5^\circ$

施霸(中国)电器制品有限公司
SIBER (CHINA) ELECTRIC MFG. CO., LTD

单位	mm	投影	Φ	品名	跷板开关	比例	Free
UNIT		PROJECTED		PRODUCT NAME		SCALE	
绘图		核对		型号	XN-14		
DRAWN BY		CHECKED BY		MODEL NO.			
日期	2015.09.11	核准		图号	XN-14		
DATE		APPROVAL BY		DWG NO.			

DATE REVISION DESCRIPTION ISSUE